



PRO SERIES 150 **ELECTRIC VALVES**

FEATURES

1. External Bleed Screw with Removable Metering Pin – allows for easy cleaning of the metering pin without disassembling the valve (excluding the jar top model).
2. External bleed screw – for manual operation.
3. Internal bleed handle – for manual operation.
4. Removable inlet cap – for easy conversion from globe to angle-style valve (1 ½" & 2" models only).
5. Captured pluger - Allows for the solenoid to be removed without losing internal parts.

SPECIFICATIONS

1. Pressure – 20 PSI minimum to 150 PSI
2. Voltage – 24 VAC 60 cycle, .4 amps inrush, .2 amps holding

BEFORE INSTALLATION

1. Flush system thoroughly before installing valves.
2. Make sure you have sufficient water supply, pressure & flow.

INSTALLING VALVE WITH ADAPTERS

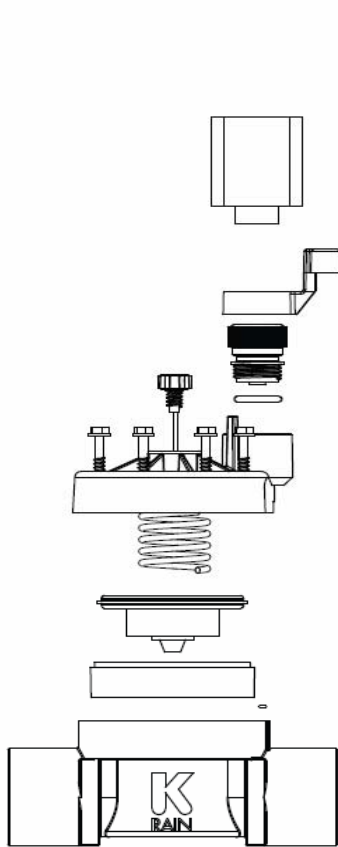
1. Wrap adapters with 2 to 3 complete wraps of Teflon® tape around threads.
2. Hand tighten adapters into valve.
3. Carefully tighten adapters one additional turn past hand tight.
4. Do not use flow control handle and solenoid as a lever.

CAUTION: DO NOT OVER-TIGHTEN ADAPTERS!

OPERATING VALVE MANUALLY

1. Open external bleed screw counter clockwise – water will exit screw hole and valve will open.
2. Open internal bleed handle – valve will open.

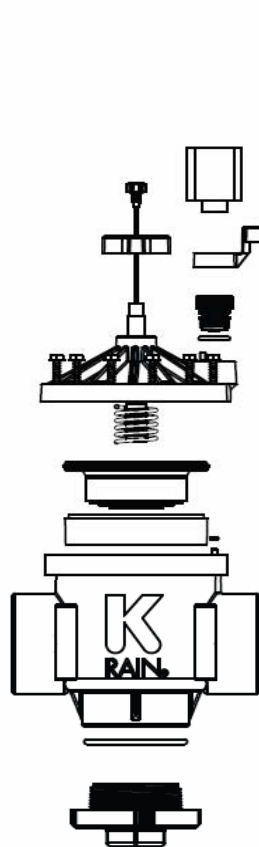
PARTS BREAKDOWN



7101
1" Female Thread, NPT

7101 - SL
1" Female Slip

7101 - BSP
1" Female Thread, BSP

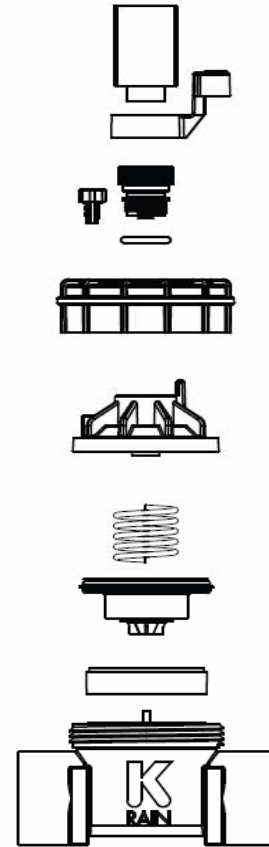


7115
1.5" Female Thread, NPT

7115 - BSP
1.5" Female Thread, BSP

7102 - BSP
2" Female Thread, BSP

7102
2" Female Thread, NPT



7101
1" Female Thread, NPT
Jar-Top - J

7101 - J - SL
1" Female Slip
Jar-Top

7101 - J - BSP
1" Female Thread, BSP
Jar-Top



K-RAIN MANUFACTURING CORP.
1640 Australian Avenue
Riviera Beach, FL 33404 USA
PH: 1-561-844-1002 / 1-800-735-7246
FAX: 1-561-842-9493
WEB: <http://www.krain.com>

© K-RAIN Manufacturing Corp.