



1000/2000 Single Controller General Station Parts Diagram

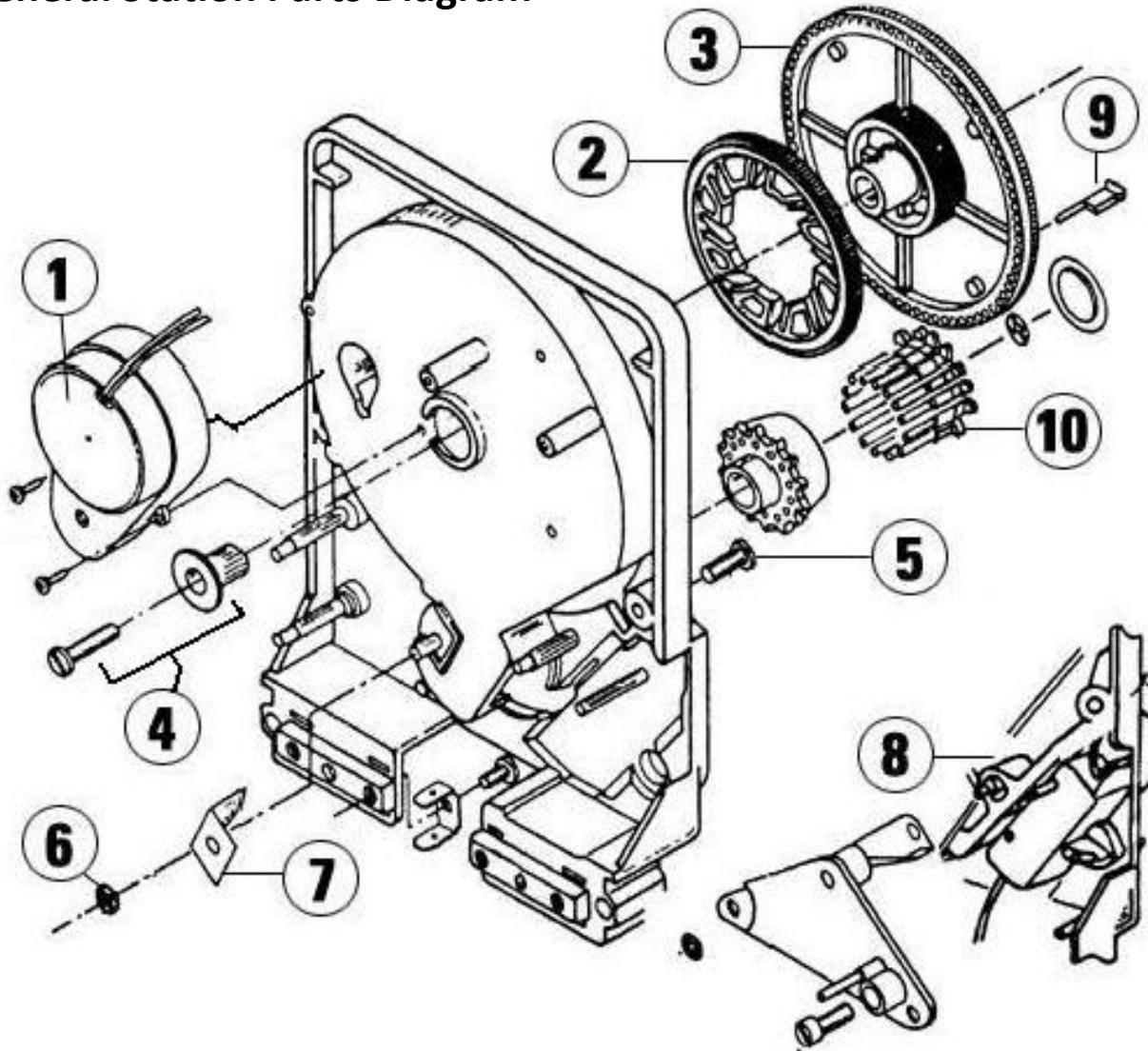




Diagram Number	Part Number	Part Description
1	P1111025	Motor, , 110 VAC – 60Hz
2	P1000103	Timer, Drive Gear Assembly
3	P1000102	Time Dial& Label Assembly
4	P1000104	Time Dial Retainer & Screw
5	P4331214	Chassis Screw 8-32 X 3/8 SLT Pan Brass (Bag of 4)
6	P1009932	Black Retainer Nuts (10/Bag)
7	P1000117	Metal Day Wheel Spring
8	P1000120	Switch Assembly (Fits timers not older than January 1987)
9	P1009955	Timer Pins, White (18/bag) 15 minute
10	P1000114	Retained Day Wheel Pins (One Set)