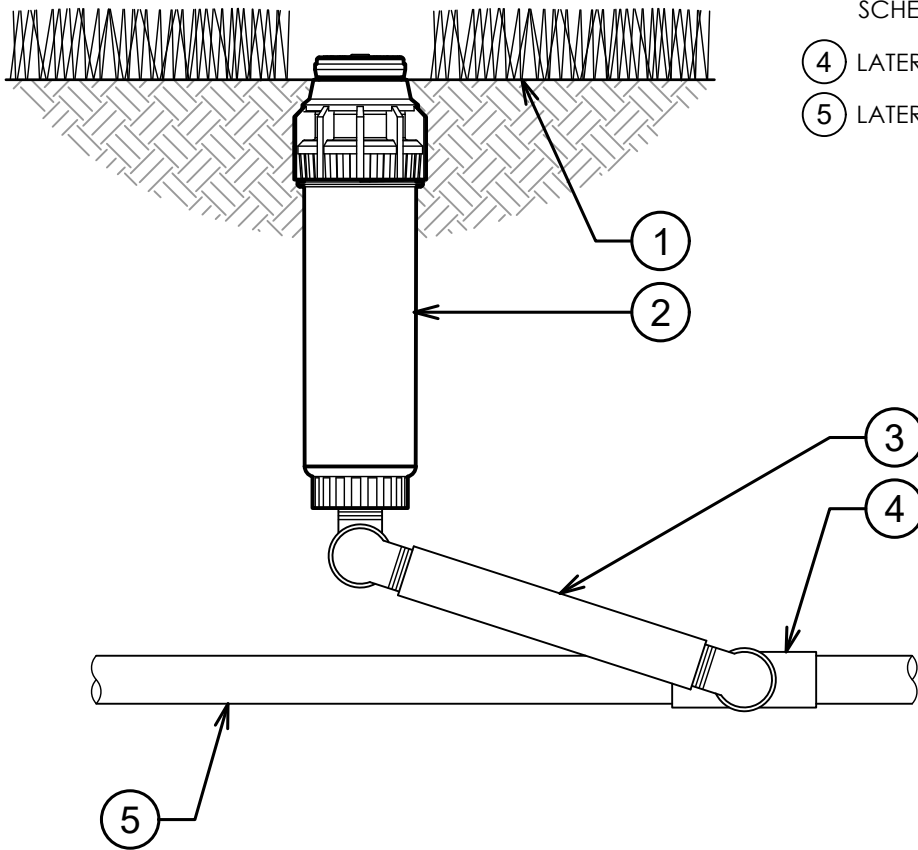
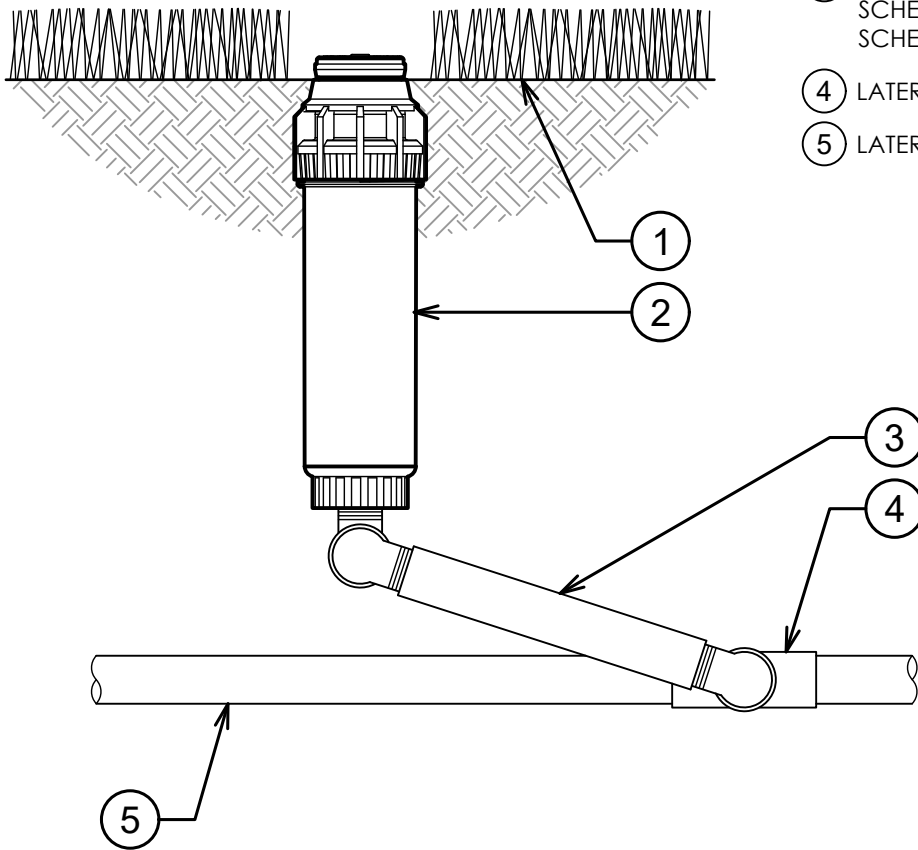


- ① FINISH GRADE
- ② K-RAIN PRO SPORT GEAR DRIVE ROTOR MODEL 14003:
4" POP-UP ROTOR WITH CHECK VALVE
- ③ 1" RIGID SWING JOINT:
SCHEDULE 80 NIPPLE,
SCHEDULE 40 STREET ELLS
- ④ LATERAL TEE OR ELL
- ⑤ LATERAL PIPE



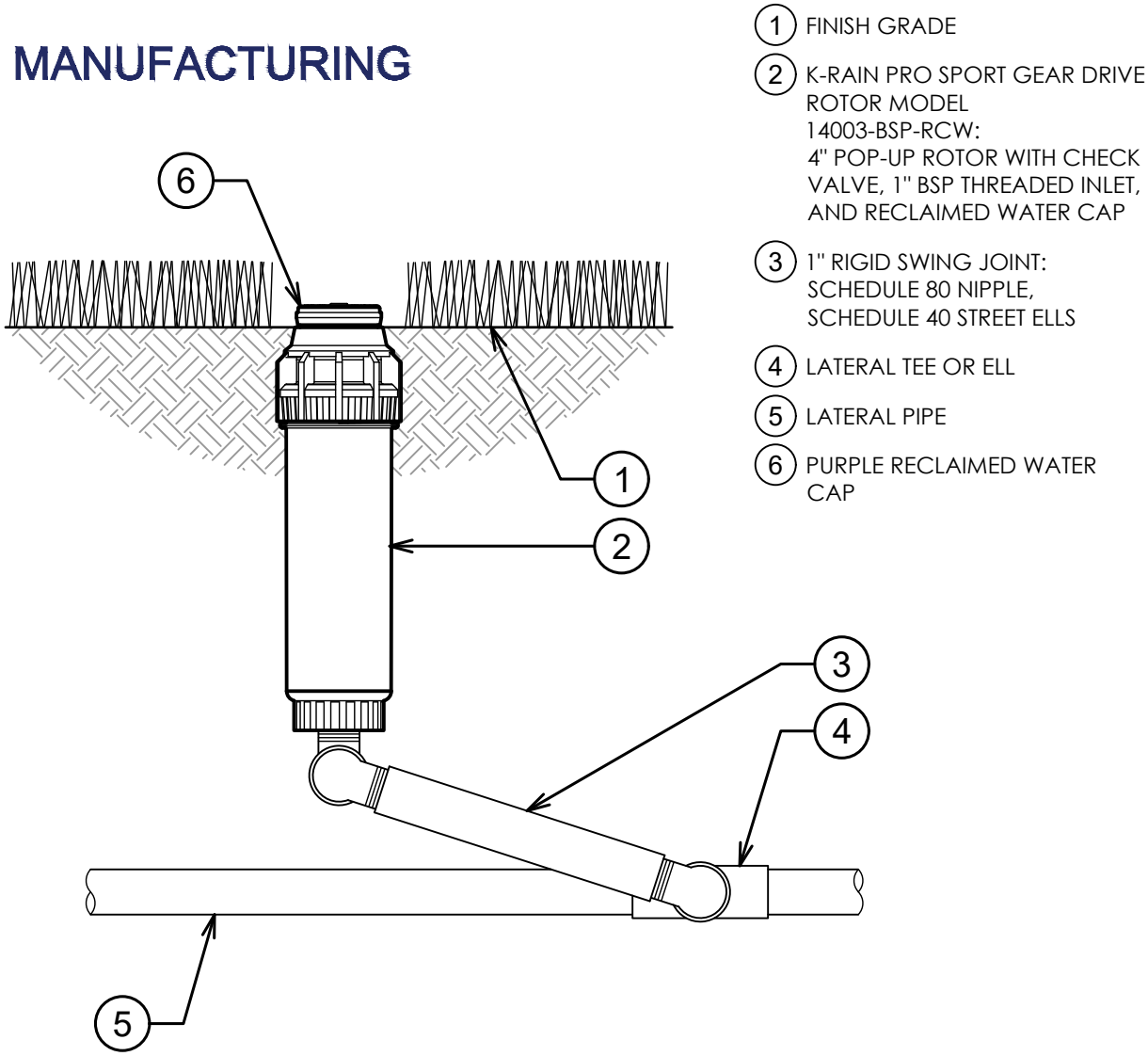
- ① FINISH GRADE
- ② K-RAIN PRO SPORT GEAR DRIVE ROTOR MODEL 14003-BSP: 4" POP-UP ROTOR WITH CHECK VALVE AND 1" BSP THREADED INLET
- ③ 1" RIGID SWING JOINT: SCHEDULE 80 NIPPLE, SCHEDULE 40 STREET ELLS
- ④ LATERAL TEE OR ELL
- ⑤ LATERAL PIPE



00

K-RAIN PRO SPORT ROTOR WITH 4" POP-UP

3" = 1'-0"



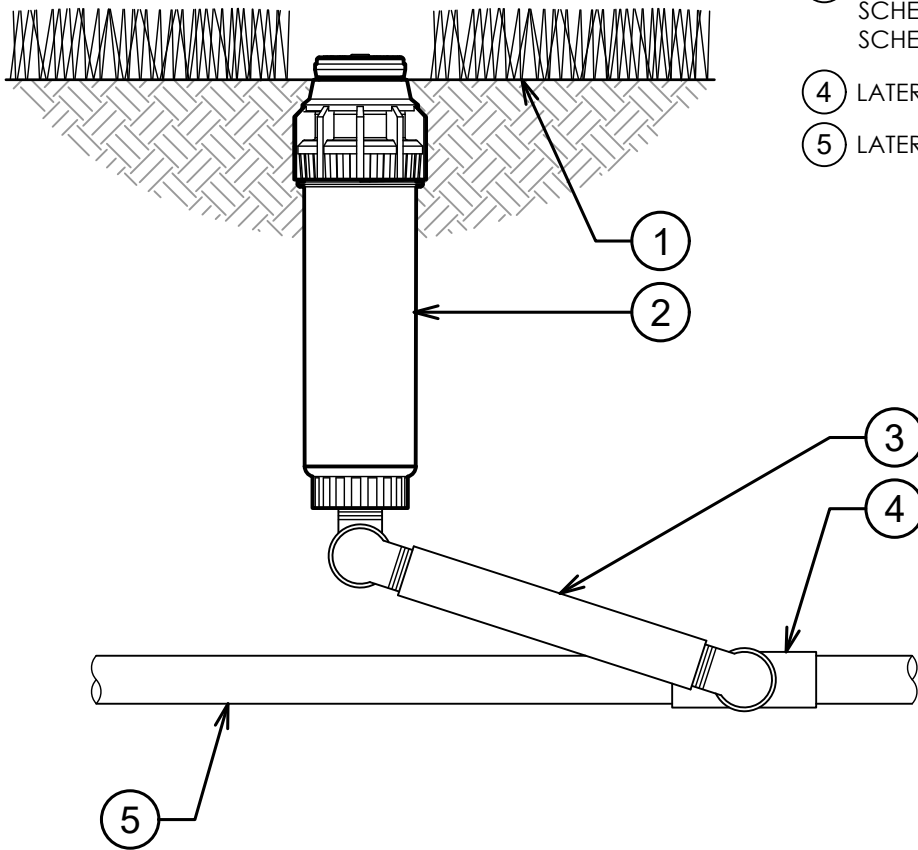
- ① FINISH GRADE
- ② K-RAIN PRO SPORT GEAR DRIVE ROTOR MODEL 14003-BSP-RCW: 4" POP-UP ROTOR WITH CHECK VALVE, 1" BSP THREADED INLET, AND RECLAIMED WATER CAP
- ③ 1" RIGID SWING JOINT: SCHEDULE 80 NIPPLE, SCHEDULE 40 STREET ELLS
- ④ LATERAL TEE OR ELL
- ⑤ LATERAL PIPE
- ⑥ PURPLE RECLAIMED WATER CAP

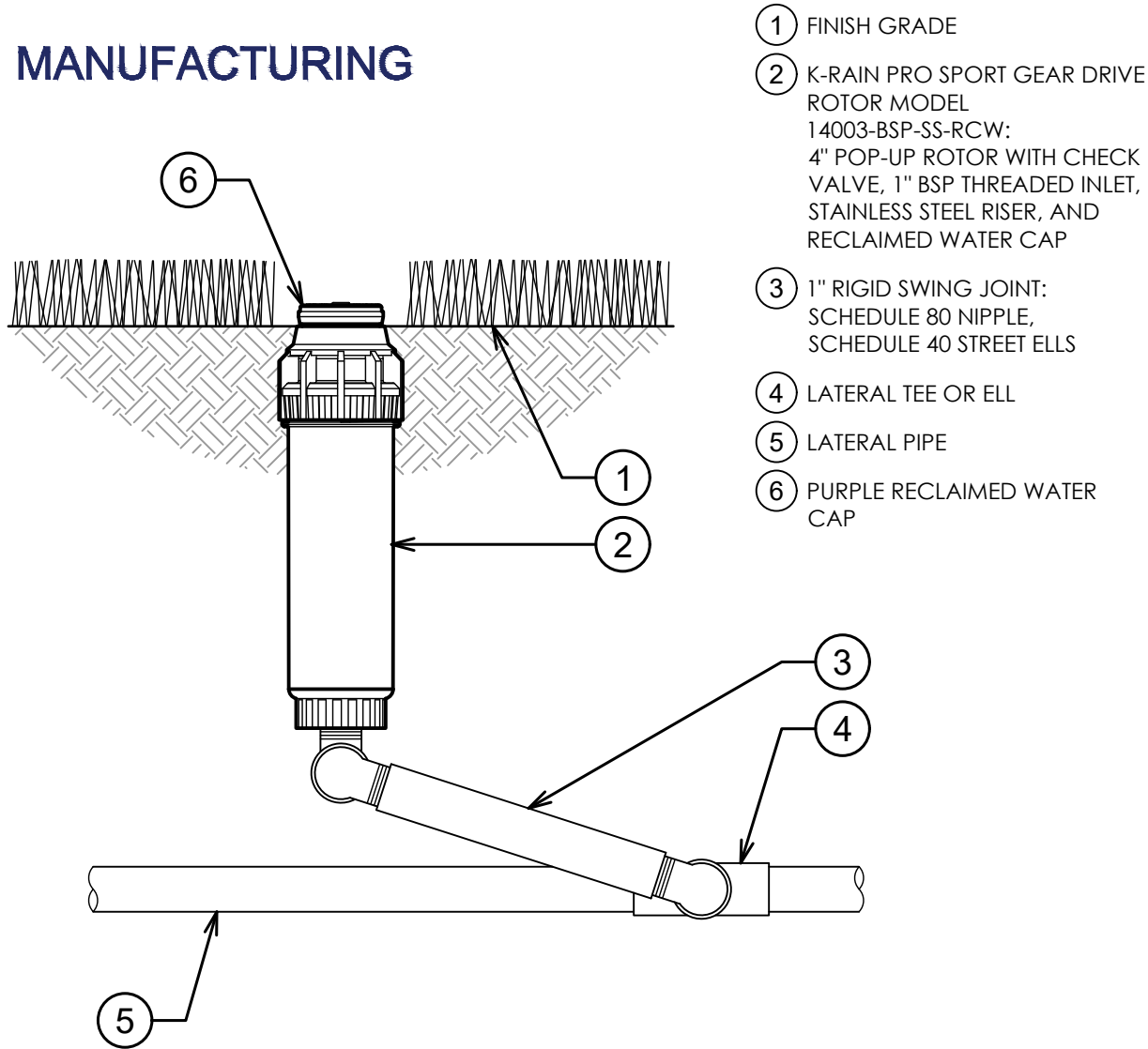


K-RAIN PRO SPORT ROTOR WITH 4" POP-UP

3" = 1'-0"

- ① FINISH GRADE
- ② K-RAIN PRO SPORT GEAR DRIVE ROTOR MODEL 14003-BSP-SS:
4" POP-UP ROTOR WITH CHECK VALVE, 1" BSP THREADED INLET,
AND STAINLESS STEEL RISER
- ③ 1" RIGID SWING JOINT:
SCHEDULE 80 NIPPLE,
SCHEDULE 40 STREET ELLS
- ④ LATERAL TEE OR ELL
- ⑤ LATERAL PIPE



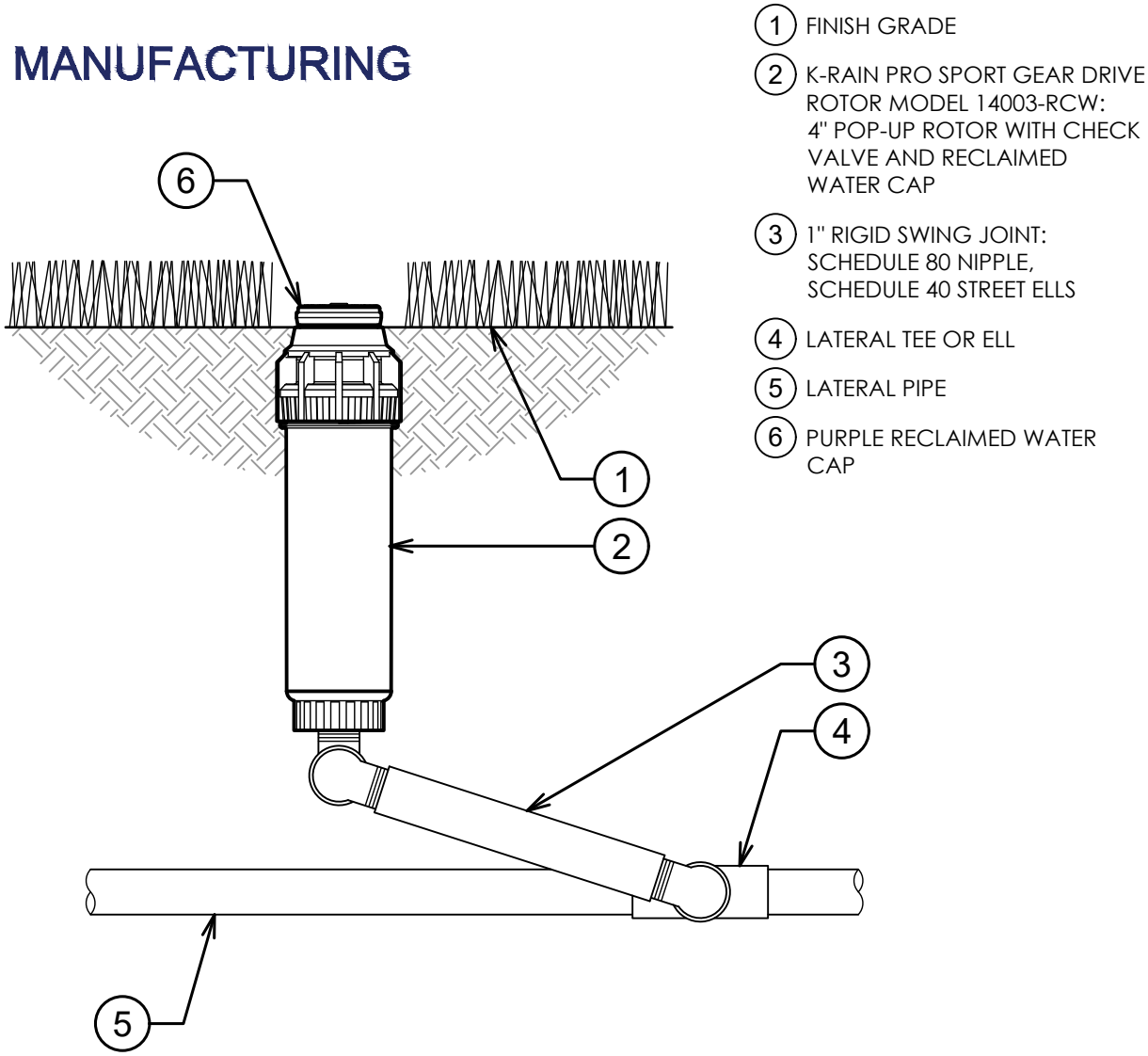


- ① FINISH GRADE
- ② K-RAIN PRO SPORT GEAR DRIVE ROTOR MODEL 14003-BSP-SS-RCW: 4" POP-UP ROTOR WITH CHECK VALVE, 1" BSP THREADED INLET, STAINLESS STEEL RISER, AND RECLAIMED WATER CAP
- ③ 1" RIGID SWING JOINT: SCHEDULE 80 NIPPLE, SCHEDULE 40 STREET ELLS
- ④ LATERAL TEE OR ELL
- ⑤ LATERAL PIPE
- ⑥ PURPLE RECLAIMED WATER CAP



K-RAIN PRO SPORT ROTOR WITH 4" POP-UP

3" = 1'-0"



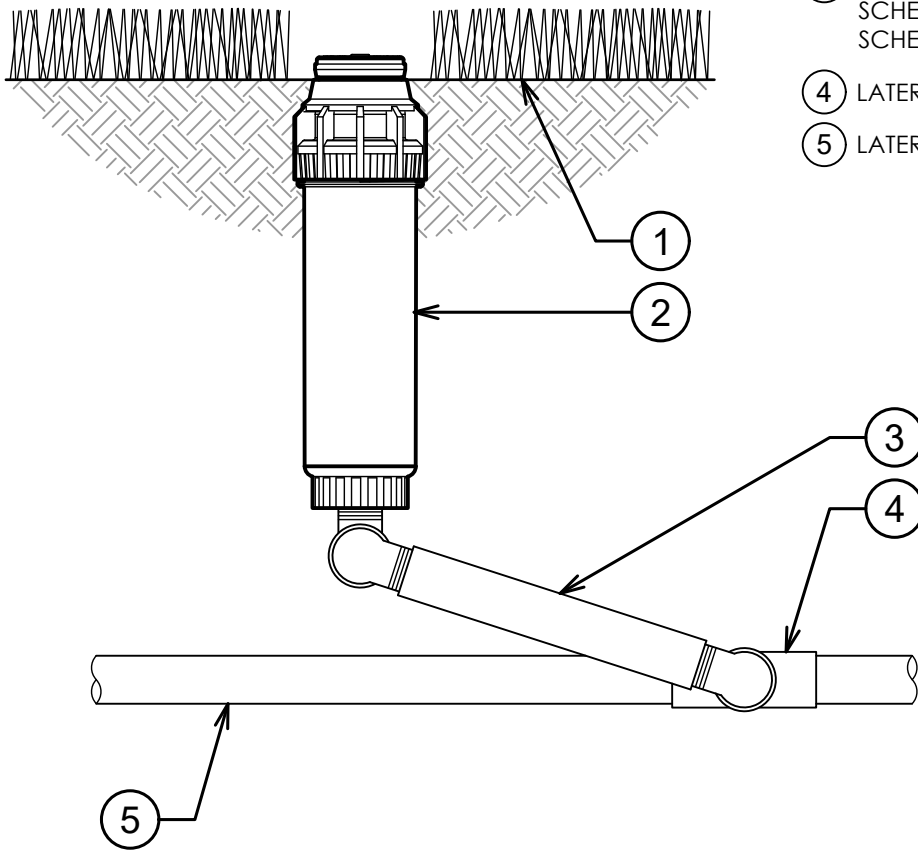
- ① FINISH GRADE
- ② K-RAIN PRO SPORT GEAR DRIVE ROTOR MODEL 14003-RCW: 4" POP-UP ROTOR WITH CHECK VALVE AND RECLAIMED WATER CAP
- ③ 1" RIGID SWING JOINT: SCHEDULE 80 NIPPLE, SCHEDULE 40 STREET ELLS
- ④ LATERAL TEE OR ELL
- ⑤ LATERAL PIPE
- ⑥ PURPLE RECLAIMED WATER CAP



K-RAIN PRO SPORT ROTOR WITH 4" POP-UP

3" = 1'-0"

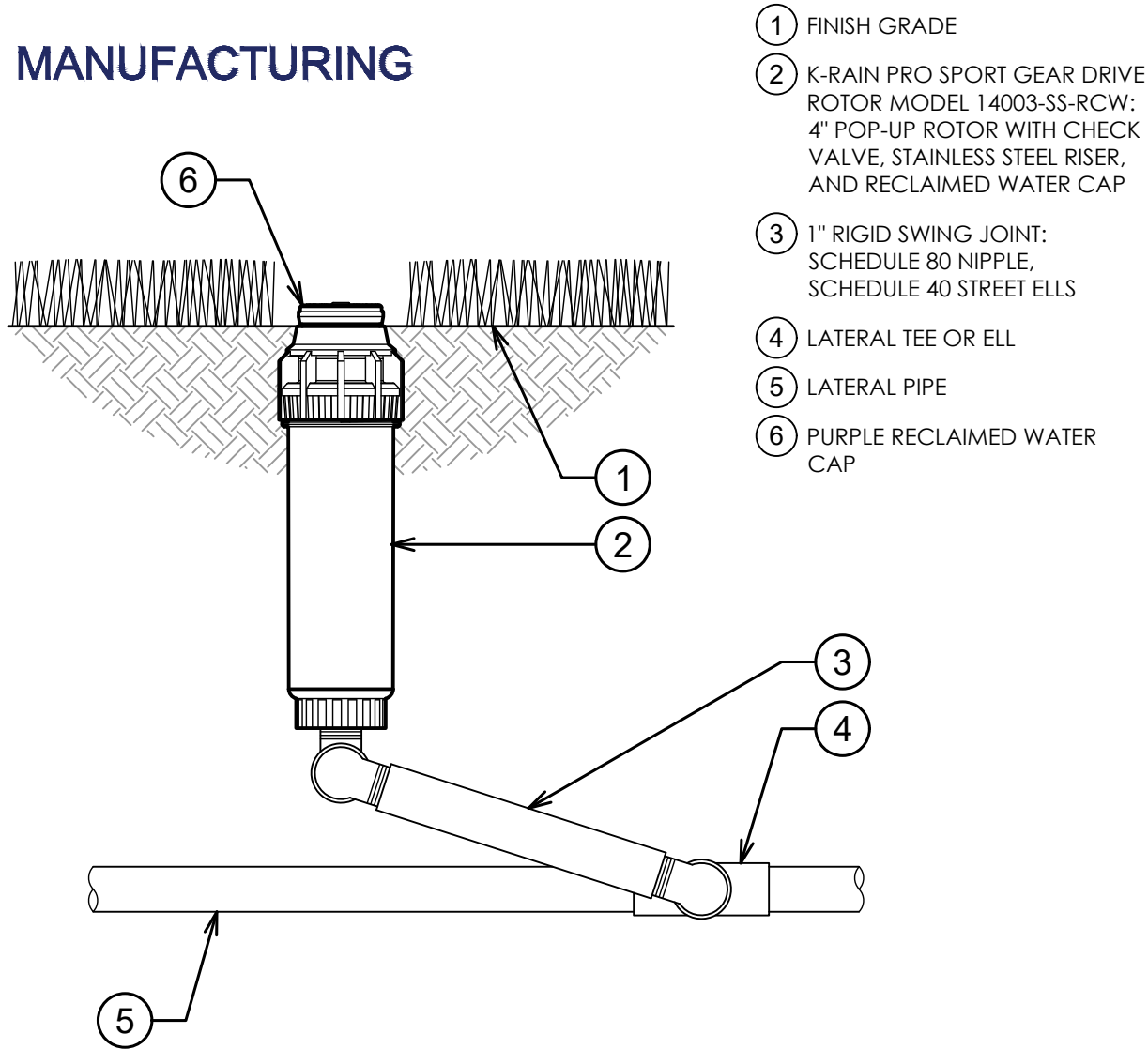
- ① FINISH GRADE
- ② K-RAIN PRO SPORT GEAR DRIVE ROTOR MODEL 14003-SS:
4" POP-UP ROTOR WITH CHECK VALVE AND STAINLESS STEEL RISER
- ③ 1" RIGID SWING JOINT:
SCHEDULE 80 NIPPLE,
SCHEDULE 40 STREET ELLS
- ④ LATERAL TEE OR ELL
- ⑤ LATERAL PIPE



00

K-RAIN PRO SPORT ROTOR WITH 4" POP-UP

3" = 1'-0"



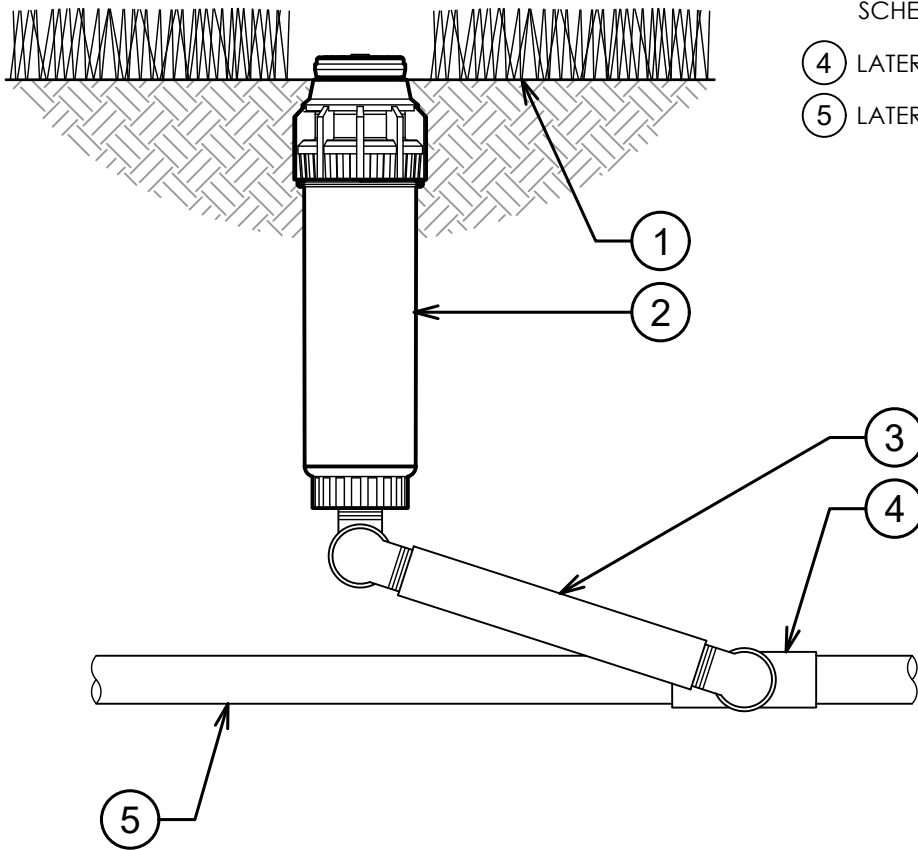
- ① FINISH GRADE
- ② K-RAIN PRO SPORT GEAR DRIVE ROTOR MODEL 14003-SS-RCW: 4" POP-UP ROTOR WITH CHECK VALVE, STAINLESS STEEL RISER, AND RECLAIMED WATER CAP
- ③ 1" RIGID SWING JOINT: SCHEDULE 80 NIPPLE, SCHEDULE 40 STREET ELLS
- ④ LATERAL TEE OR ELL
- ⑤ LATERAL PIPE
- ⑥ PURPLE RECLAIMED WATER CAP



K-RAIN PRO SPORT ROTOR WITH 4" POP-UP

3" = 1'-0"

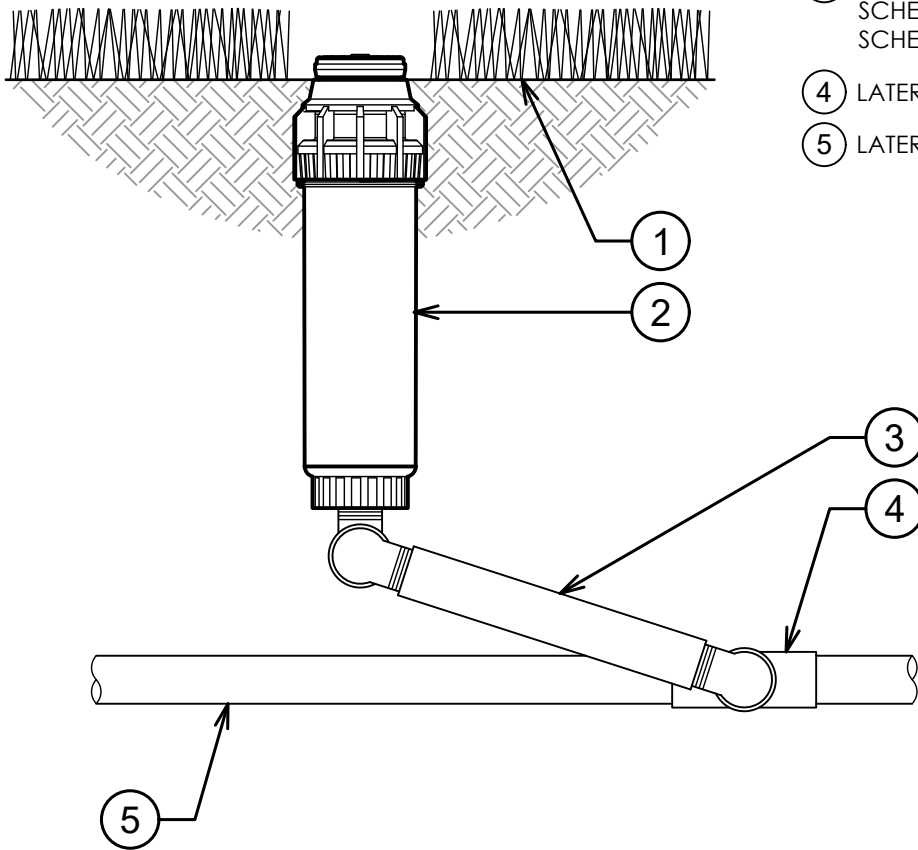
- ① FINISH GRADE
- ② K-RAIN PRO SPORT GEAR DRIVE ROTOR MODEL 14053:
4" POP-UP HIGH SPEED ROTOR WITH CHECK VALVE
- ③ 1" RIGID SWING JOINT:
SCHEDULE 80 NIPPLE,
SCHEDULE 40 STREET ELLS
- ④ LATERAL TEE OR ELL
- ⑤ LATERAL PIPE



K-RAIN PRO SPORT ROTOR WITH 4" POP-UP

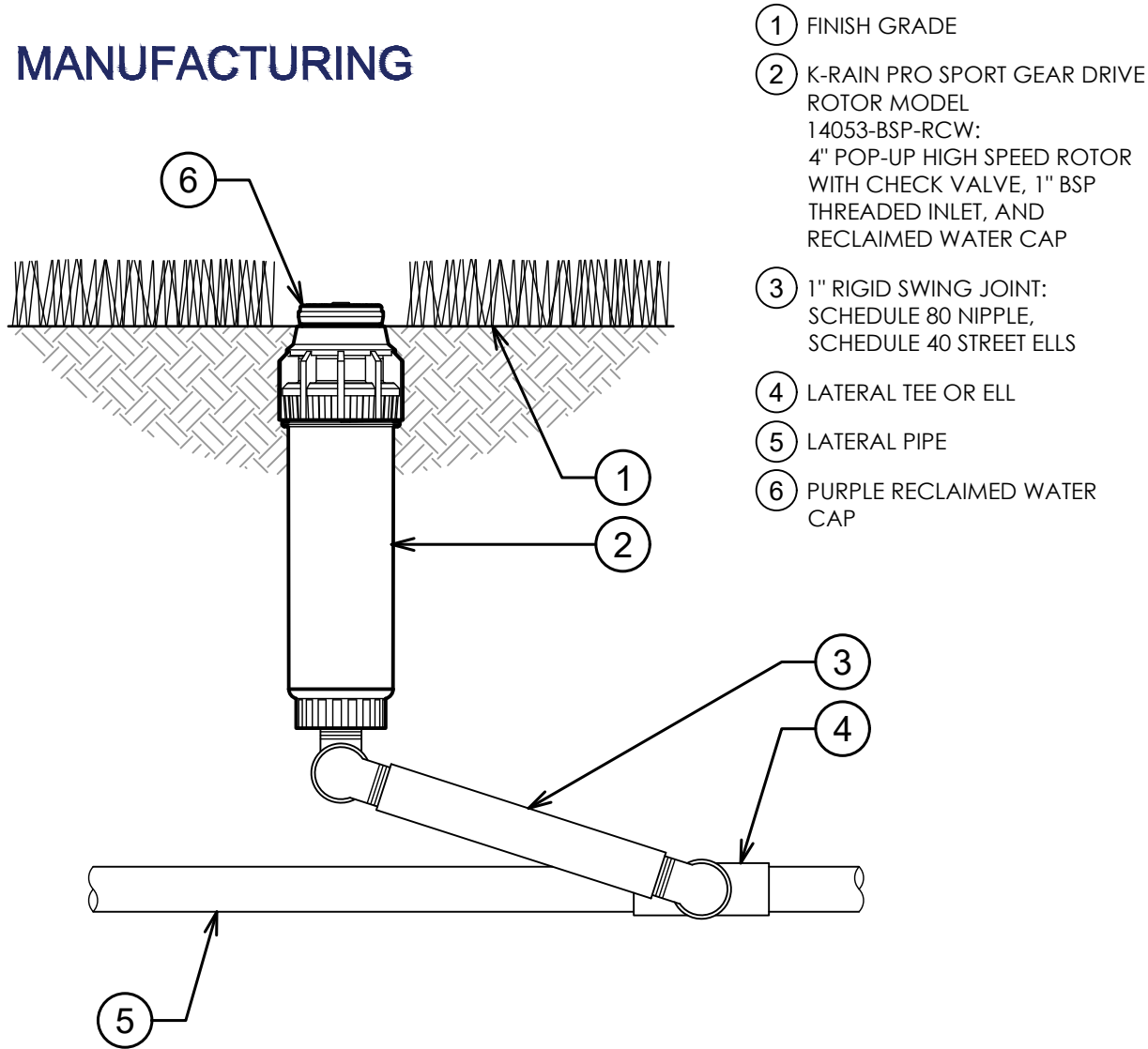
3" = 1'-0"

- ① FINISH GRADE
- ② K-RAIN PRO SPORT GEAR DRIVE ROTOR MODEL 14053-BSP: 4" POP-UP HIGH SPEED ROTOR WITH CHECK VALVE AND 1" BSP THREADED INLET
- ③ 1" RIGID SWING JOINT: SCHEDULE 80 NIPPLE, SCHEDULE 40 STREET ELLS
- ④ LATERAL TEE OR ELL
- ⑤ LATERAL PIPE



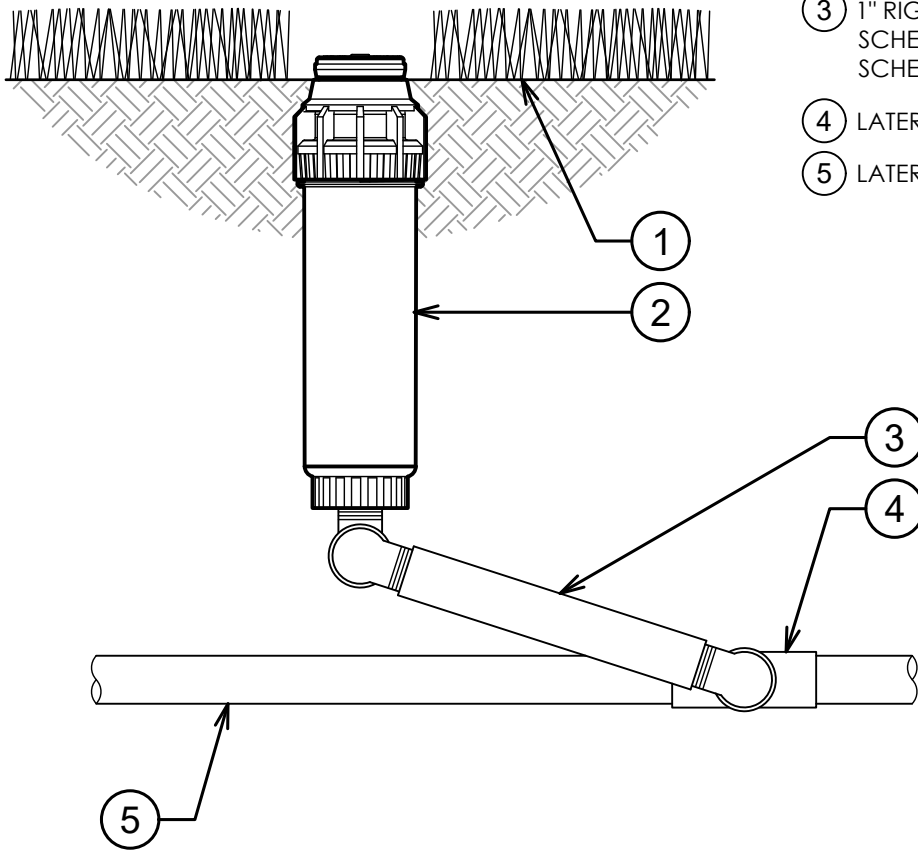
K-RAIN PRO SPORT ROTOR WITH 4" POP-UP

3" = 1'-0"



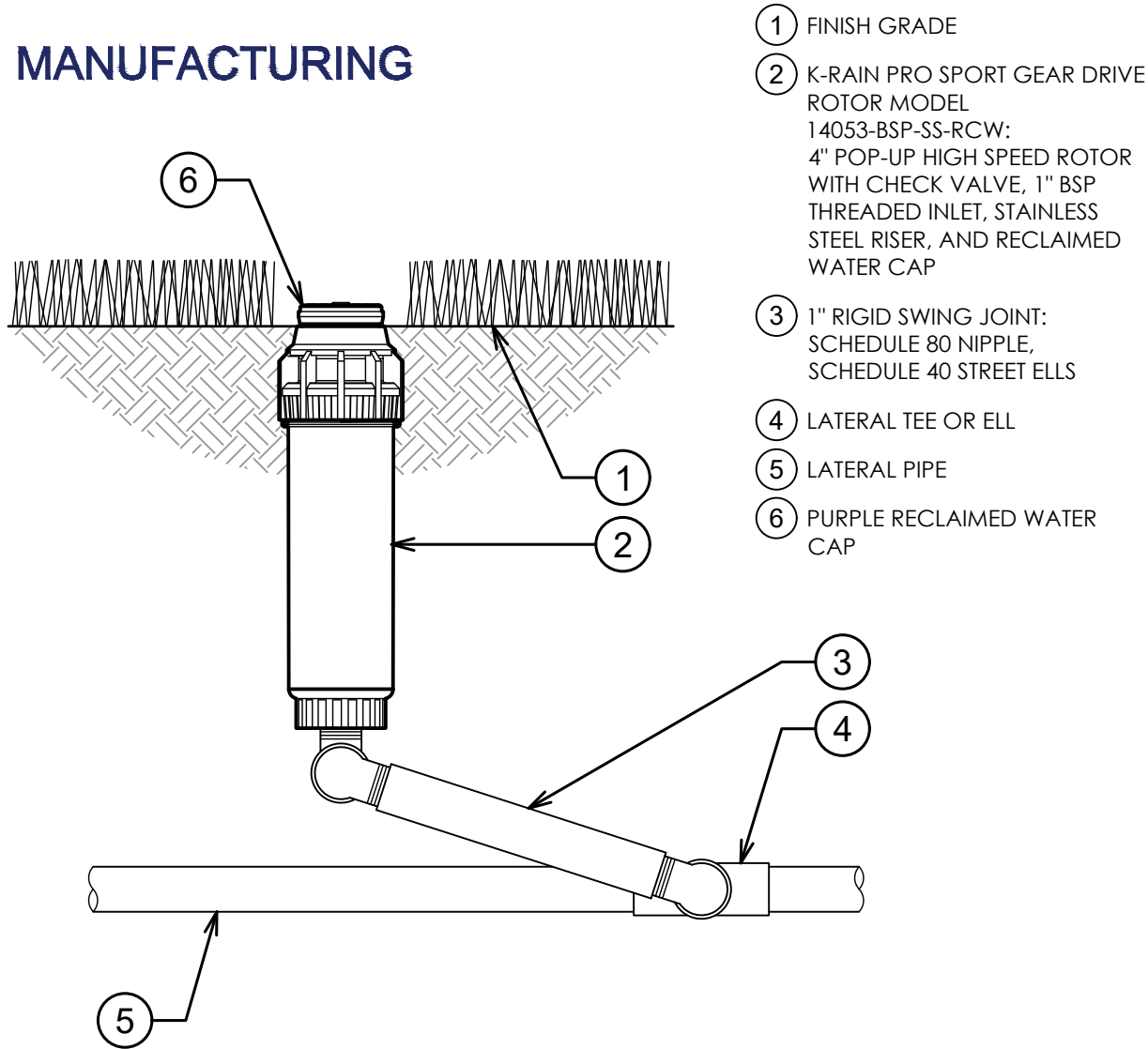
- ① FINISH GRADE
- ② K-RAIN PRO SPORT GEAR DRIVE ROTOR MODEL 14053-BSP-RCW: 4" POP-UP HIGH SPEED ROTOR WITH CHECK VALVE, 1" BSP THREADED INLET, AND RECLAIMED WATER CAP
- ③ 1" RIGID SWING JOINT: SCHEDULE 80 NIPPLE, SCHEDULE 40 STREET ELLS
- ④ LATERAL TEE OR ELL
- ⑤ LATERAL PIPE
- ⑥ PURPLE RECLAIMED WATER CAP

- ① FINISH GRADE
- ② K-RAIN PRO SPORT GEAR DRIVE ROTOR MODEL 14053-BSP-SS: 4" POP-UP HIGH SPEED ROTOR WITH CHECK VALVE, 1" BSP THREADED INLET, AND STAINLESS STEEL RISER
- ③ 1" RIGID SWING JOINT: SCHEDULE 80 NIPPLE, SCHEDULE 40 STREET ELLS
- ④ LATERAL TEE OR ELL
- ⑤ LATERAL PIPE



K-RAIN PRO SPORT ROTOR WITH 4" POP-UP

3" = 1'-0"

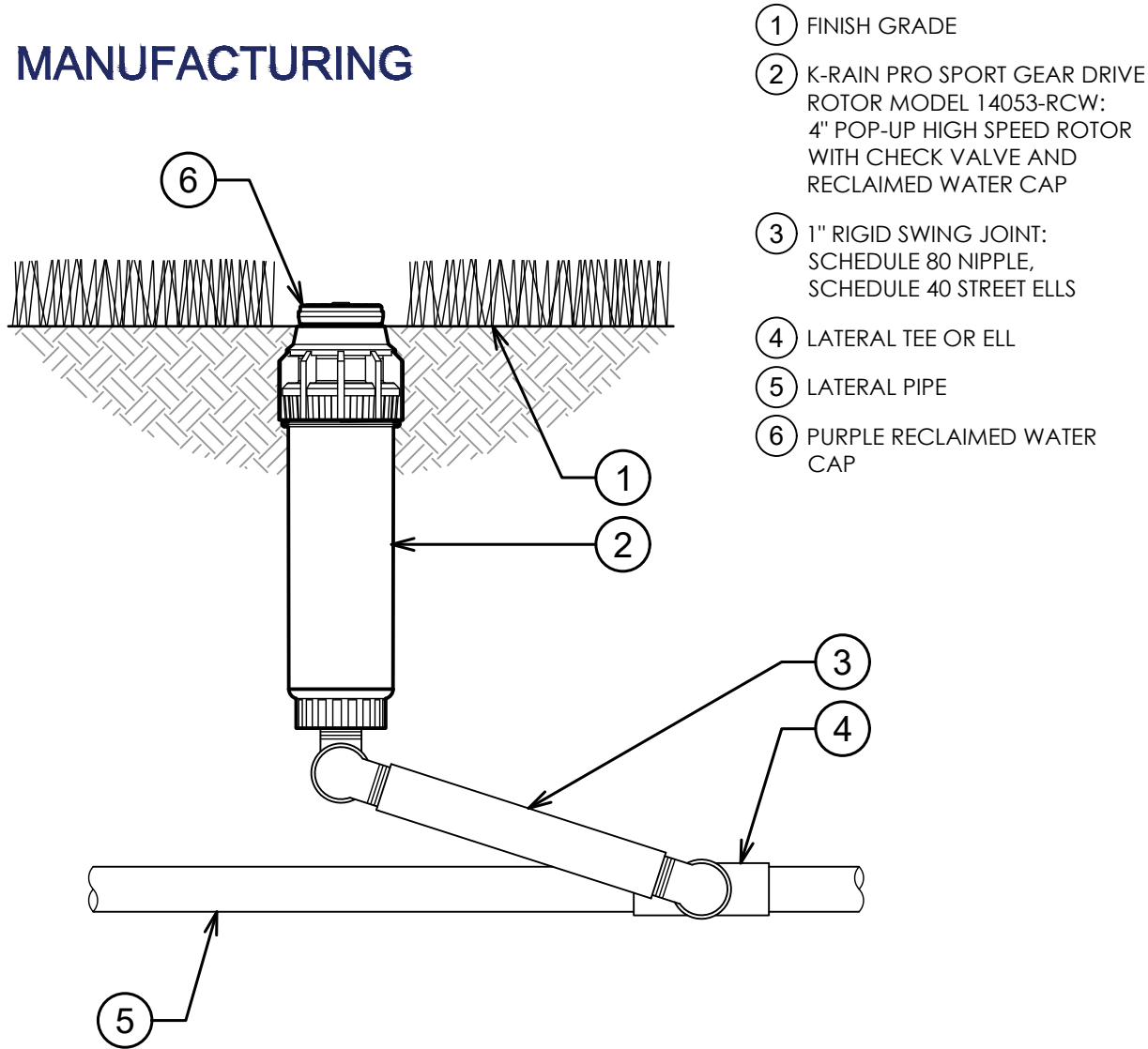


- ① FINISH GRADE
- ② K-RAIN PRO SPORT GEAR DRIVE ROTOR MODEL 14053-BSP-SS-RCW: 4" POP-UP HIGH SPEED ROTOR WITH CHECK VALVE, 1" BSP THREADED INLET, STAINLESS STEEL RISER, AND RECLAIMED WATER CAP
- ③ 1" RIGID SWING JOINT: SCHEDULE 80 NIPPLE, SCHEDULE 40 STREET ELLS
- ④ LATERAL TEE OR ELL
- ⑤ LATERAL PIPE
- ⑥ PURPLE RECLAIMED WATER CAP



K-RAIN PRO SPORT ROTOR WITH 4" POP-UP

3" = 1'-0"



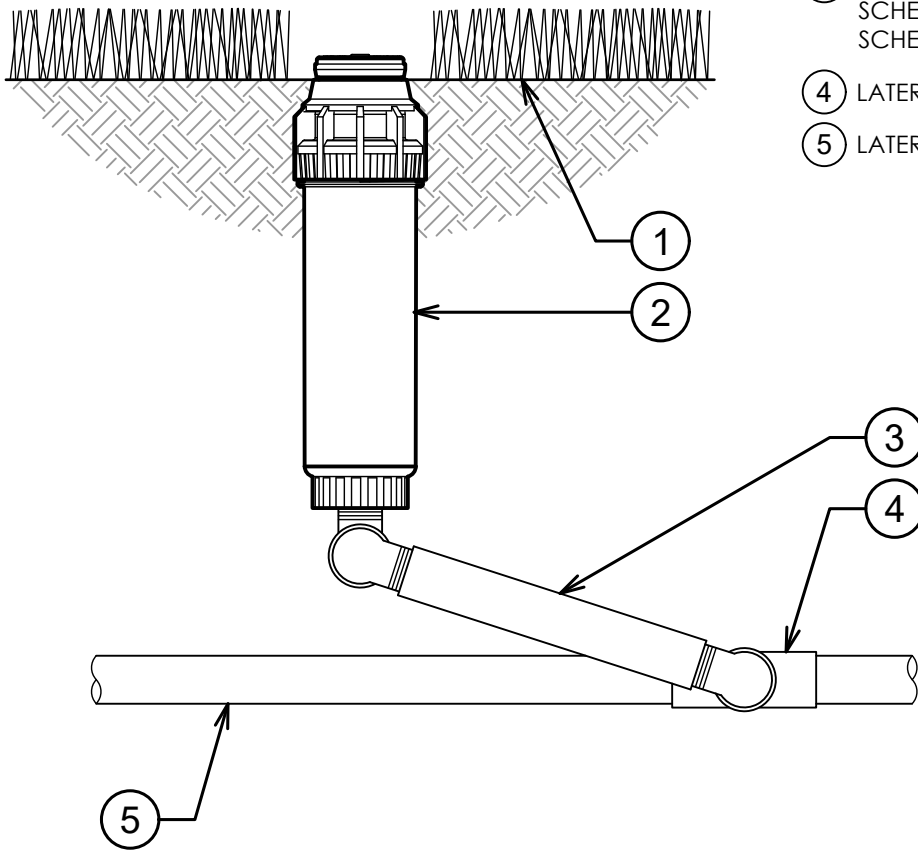
- ① FINISH GRADE
- ② K-RAIN PRO SPORT GEAR DRIVE ROTOR MODEL 14053-RCW: 4" POP-UP HIGH SPEED ROTOR WITH CHECK VALVE AND RECLAIMED WATER CAP
- ③ 1" RIGID SWING JOINT: SCHEDULE 80 NIPPLE, SCHEDULE 40 STREET ELLS
- ④ LATERAL TEE OR ELL
- ⑤ LATERAL PIPE
- ⑥ PURPLE RECLAIMED WATER CAP



K-RAIN PRO SPORT ROTOR WITH 4" POP-UP

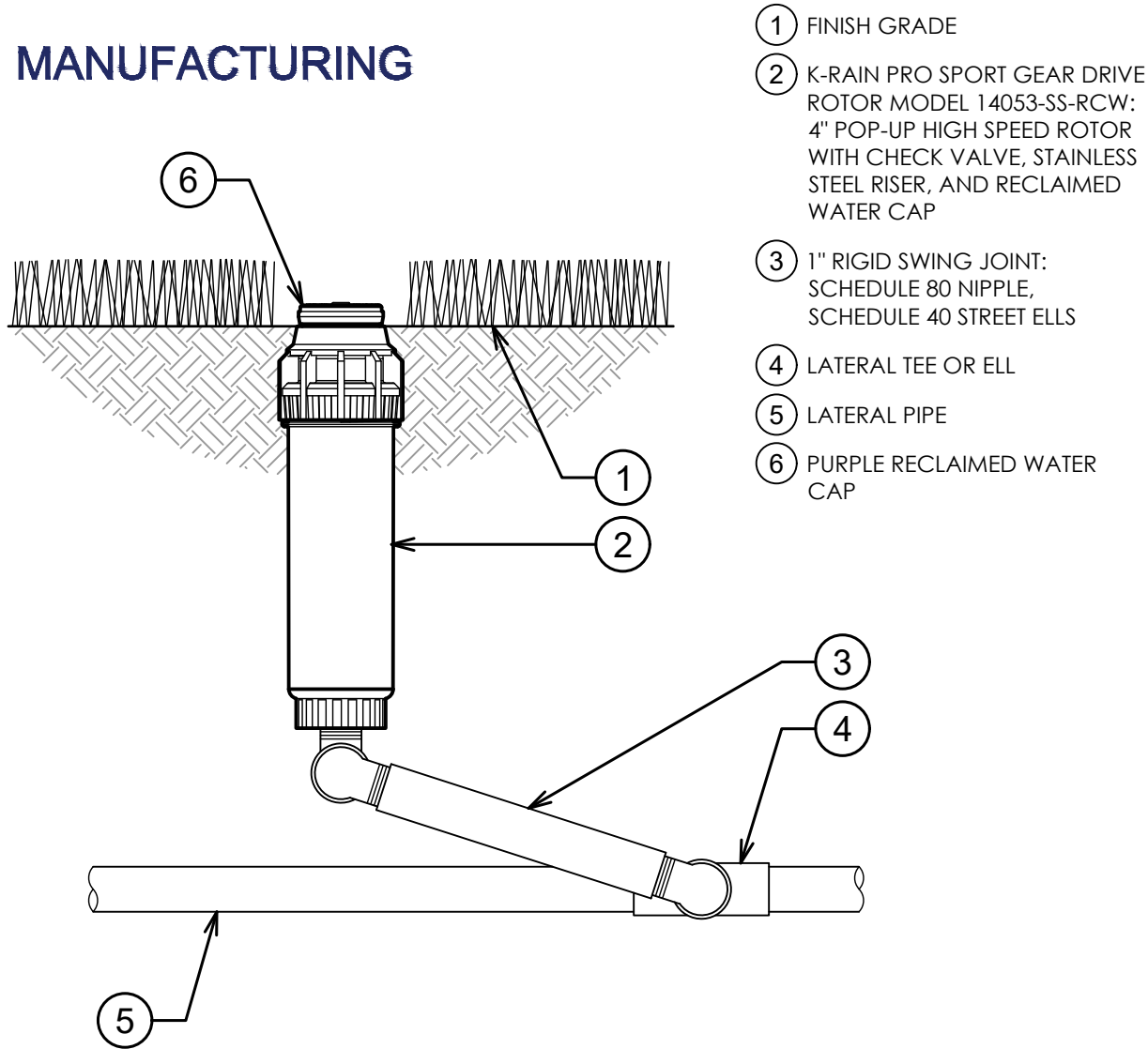
3" = 1'-0"

- ① FINISH GRADE
- ② K-RAIN PRO SPORT GEAR DRIVE ROTOR MODEL 14053-SS:
4" POP-UP HIGH SPEED ROTOR WITH CHECK VALVE AND STAINLESS STEEL RISER
- ③ 1" RIGID SWING JOINT: SCHEDULE 80 NIPPLE, SCHEDULE 40 STREET ELLS
- ④ LATERAL TEE OR ELL
- ⑤ LATERAL PIPE



K-RAIN PRO SPORT ROTOR WITH 4" POP-UP

3" = 1'-0"



- ① FINISH GRADE
- ② K-RAIN PRO SPORT GEAR DRIVE ROTOR MODEL 14053-SS-RCW: 4" POP-UP HIGH SPEED ROTOR WITH CHECK VALVE, STAINLESS STEEL RISER, AND RECLAIMED WATER CAP
- ③ 1" RIGID SWING JOINT: SCHEDULE 80 NIPPLE, SCHEDULE 40 STREET ELLS
- ④ LATERAL TEE OR ELL
- ⑤ LATERAL PIPE
- ⑥ PURPLE RECLAIMED WATER CAP



K-RAIN PRO SPORT ROTOR WITH 4" POP-UP

3" = 1'-0"