

K
RAIN

PRO-LC

WiFi-Ready Irrigation Controller

QUICK START GUIDE

Connecting the BRIDGE WiFi Module to the controller and the internet



PRO-LC WiFi Controller

BRIDGE WiFi
Module

START HERE FOR iOS OR Android



IMPORTANT: Use only the power supply provided.

ITEMS NEEDED:

1. PRO-LC WiFi Enabled Irrigation Controller
2. BRIDGE WiFi Module
3. Smart phone or tablet
4. Internet access

The BRIDGE WiFi Module is required for control from a Smart phone, tablet or computer for the K-Rain PRO-LC WiFi-Ready Irrigation Controller.



Pick a location with good WiFi signal strength. An easy way to evaluate signal strength is using the WiFi signal indicator on your smartphone or tablet. The icon should be full.

Do not place controller next to large metal appliances, e.g. hot water heater, air conditioning unit, etc. as these can interfere with your signal.

STEP 1

Download the K-Rain PRO-LC WiFi App

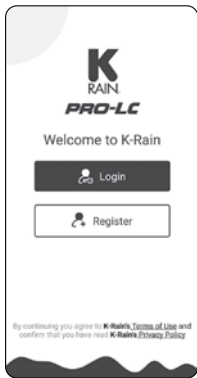
Creating a user account and connect the Wifi to the controller for the first time.



Now is when you would also need to ensure the Bluetooth is active on your device.

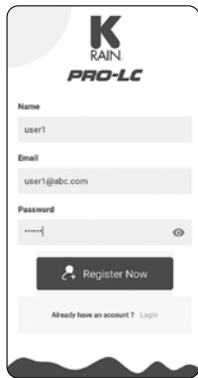
STEP 2

Click on “Register” tab.



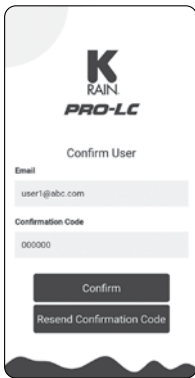
STEP 3

Type in a username and a valid email address, and choose a password. Then push Register Now.



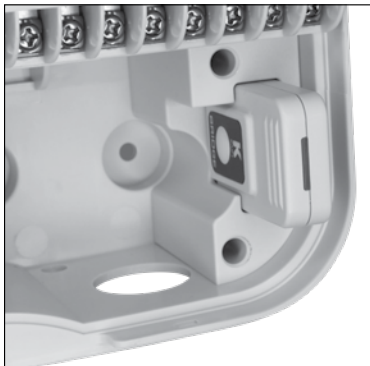
STEP 4

Get the Confirmation Code from your e-mail and enter that Code in the box below and push Confirm.



STEP 5

Plug in the BRIDGE Wifi Module and wait for the blue light to be solid. Click the white activation button on the side of the Wifi Module. This will cause the light to flash. When flashing, the dongle is in discoverable mode, and is ready for your device to pair with it.



STEP 6

Open the app.
Add New Device.



STEP 7

Push the Scan button at the lower corner. When you see the controller appear in the list, push CONNECT.



STEP 8

If the smart device is already connected to the preferred WiFi, the SSID will automatically populate. Enter the network password and push CONNECT WiFi.



STEP 9

Press Register to Cloud. Then confirm by pushing CONTINUE. Then press OK on the message that says you are connected successfully.



STEP 10

This will then take you to the dashboard to show you all your connected devices.



PRO-LC

WiFi-Ready Irrigation Controller



PRO-LC WiFi Controller

BRIDGE WiFi
Module



K-Rain Manufacturing Corp.
1640 Australian Avenue
Riviera Beach, FL 33404 USA
561.844.1002 | FAX: 561.842.9493
1.800.735.7246 | www.krain.com