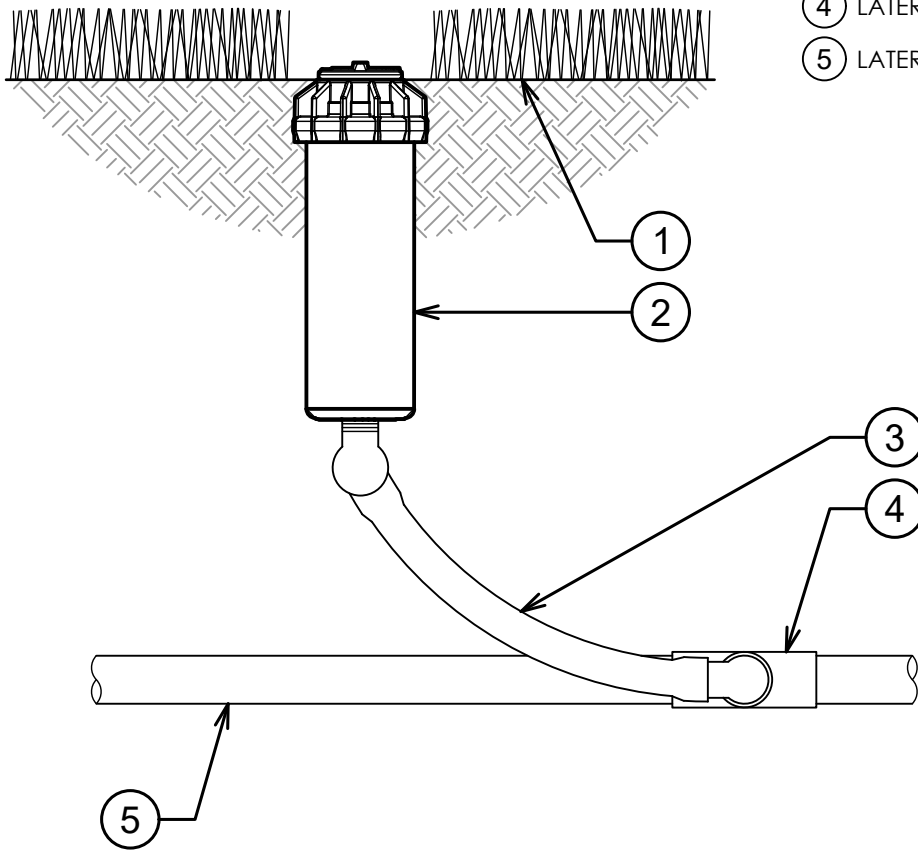


- ① FINISH GRADE
- ② K-RAIN RPS SELECT GEAR DRIVE ROTOR MODEL 60003:
4" POP-UP ROTOR WITH BUILT-IN
SELECTABLE NOZZLES
- ③ 3/4" FLEX SWING JOINT
- ④ LATERAL TEE OR ELL
- ⑤ LATERAL PIPE

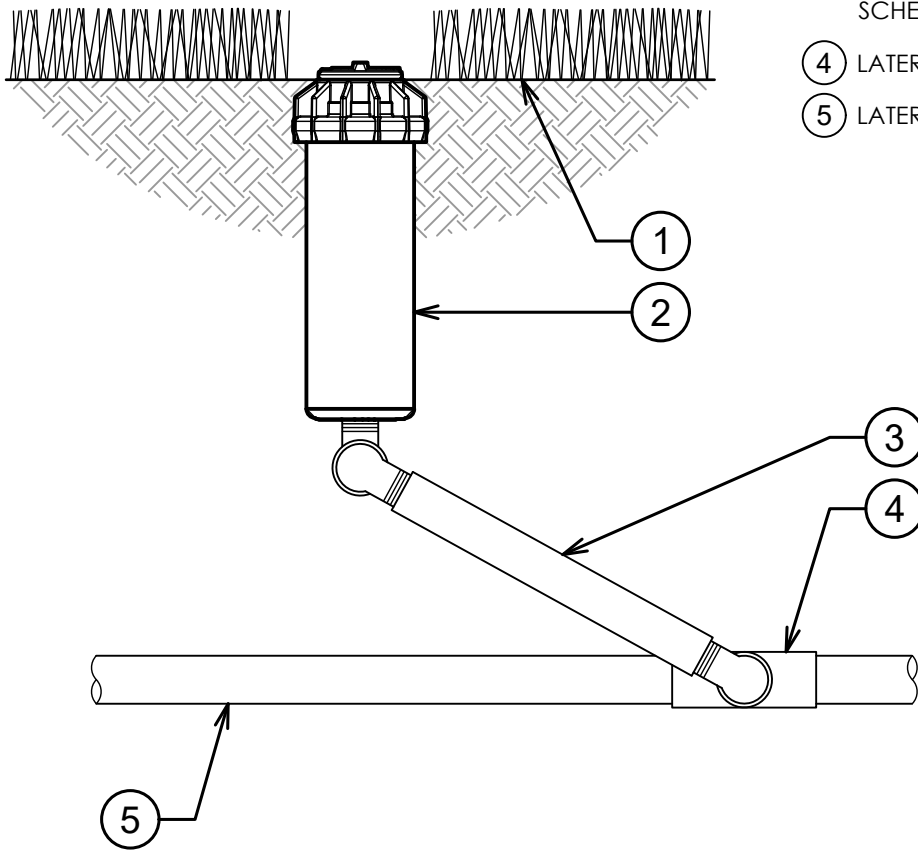


00

K-RAIN RPS SELECT ROTOR WITH 4" POP-UP

3" = 1'-0"

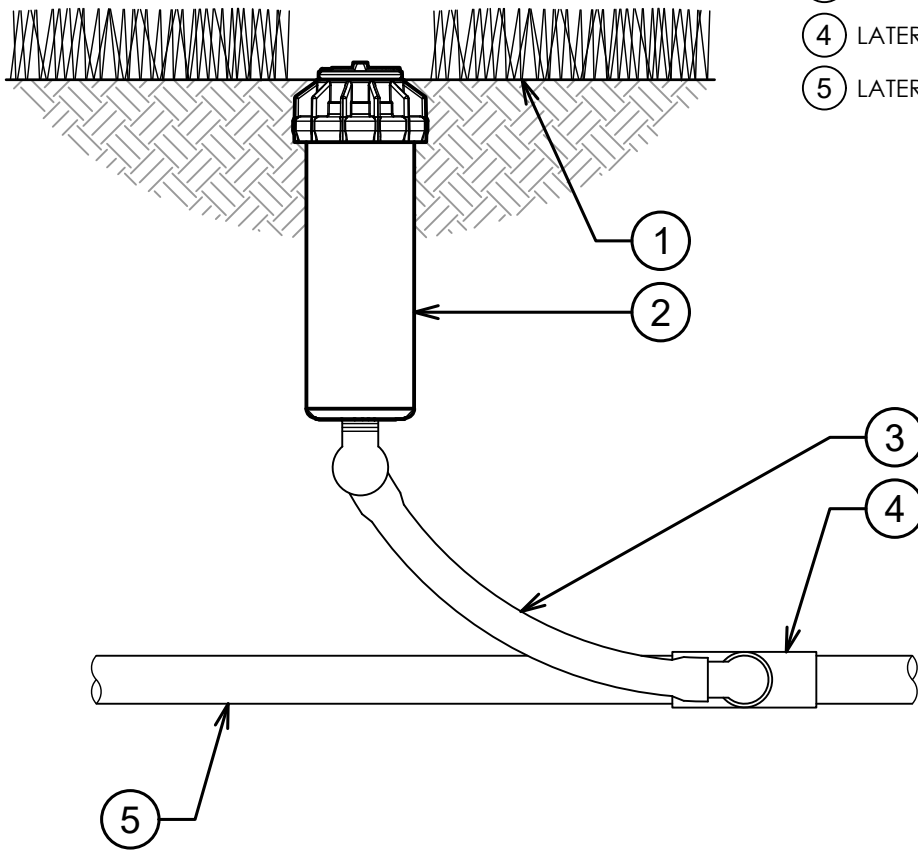
- ① FINISH GRADE
- ② K-RAIN RPS SELECT GEAR DRIVE ROTOR MODEL 60003:
4" POP-UP ROTOR WITH BUILT-IN SELECTABLE NOZZLES
- ③ 3/4" RIGID SWING JOINT:
SCHEDULE 80 NIPPLE,
SCHEDULE 40 STREET ELLS
- ④ LATERAL TEE OR ELL
- ⑤ LATERAL PIPE



K-RAIN RPS SELECT ROTOR WITH 4" POP-UP

3" = 1'-0"

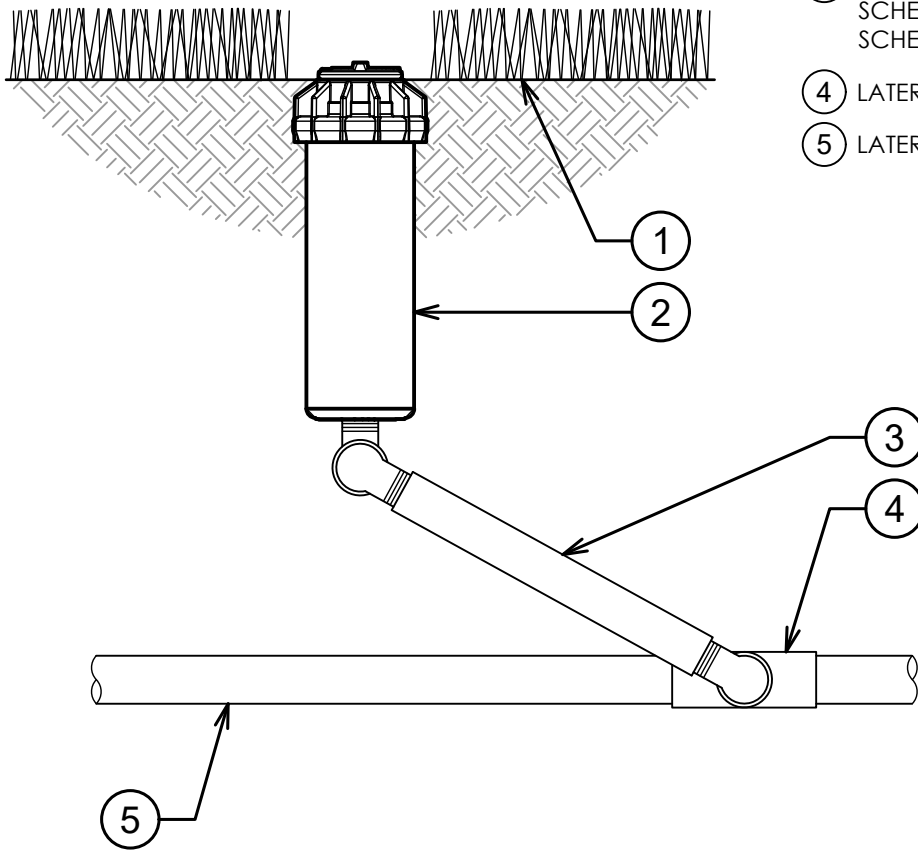
- ① FINISH GRADE
- ② K-RAIN RPS SELECT GEAR DRIVE ROTOR MODEL 60003-CV:
4" POP-UP ROTOR WITH BUILT-IN
SELECTABLE NOZZLES AND
CHECK VALVE
- ③ 3/4" FLEX SWING JOINT
- ④ LATERAL TEE OR ELL
- ⑤ LATERAL PIPE



K-RAIN RPS SELECT ROTOR WITH 4" POP-UP

3" = 1'-0"

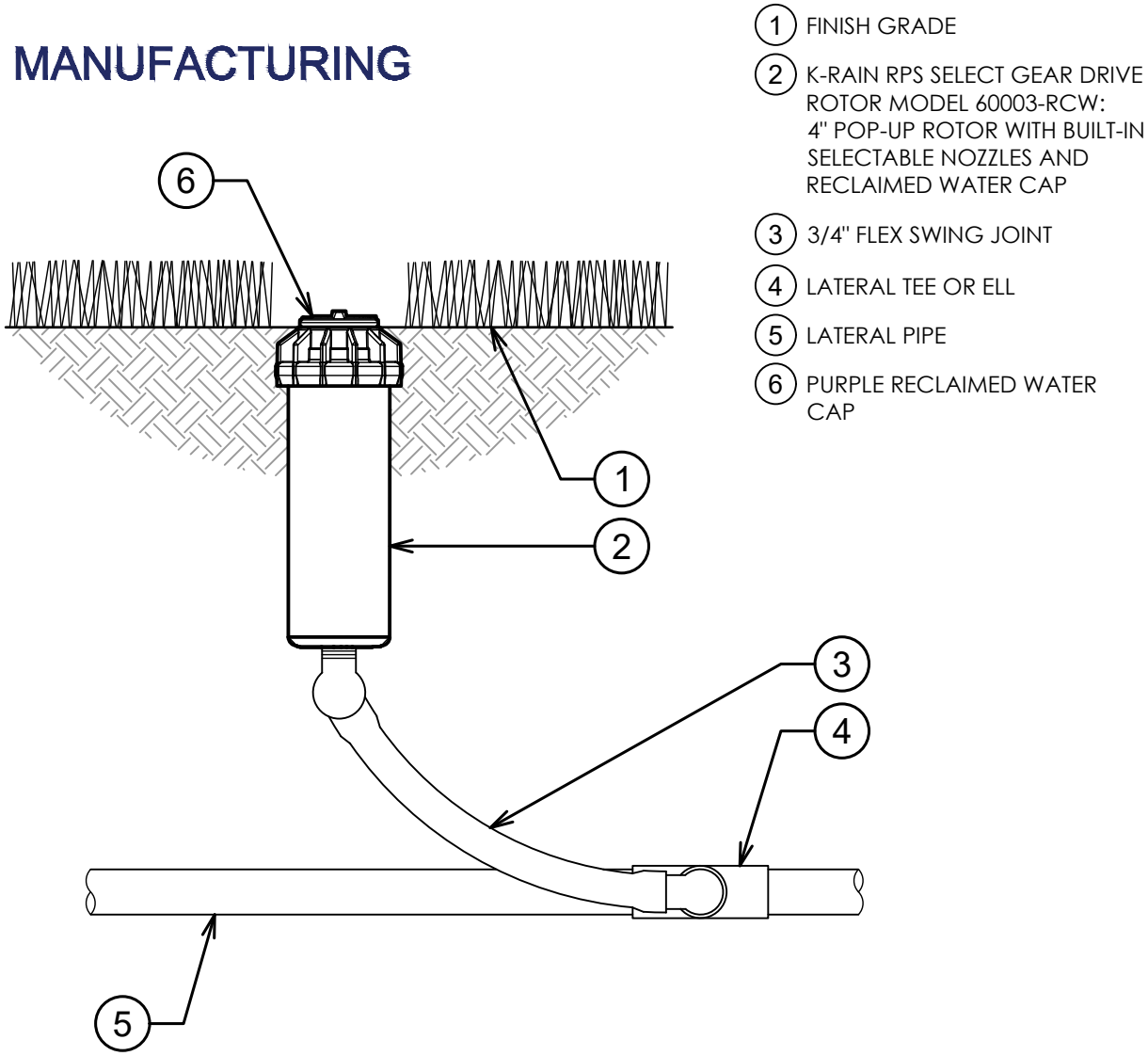
- ① FINISH GRADE
- ② K-RAIN RPS SELECT GEAR DRIVE ROTOR MODEL 60003-CV: 4" POP-UP ROTOR WITH BUILT-IN SELECTABLE NOZZLES AND CHECK VALVE
- ③ 3/4" RIGID SWING JOINT: SCHEDULE 80 NIPPLE, SCHEDULE 40 STREET ELLS
- ④ LATERAL TEE OR ELL
- ⑤ LATERAL PIPE



00

K-RAIN RPS SELECT ROTOR WITH 4" POP-UP

3" = 1'-0"

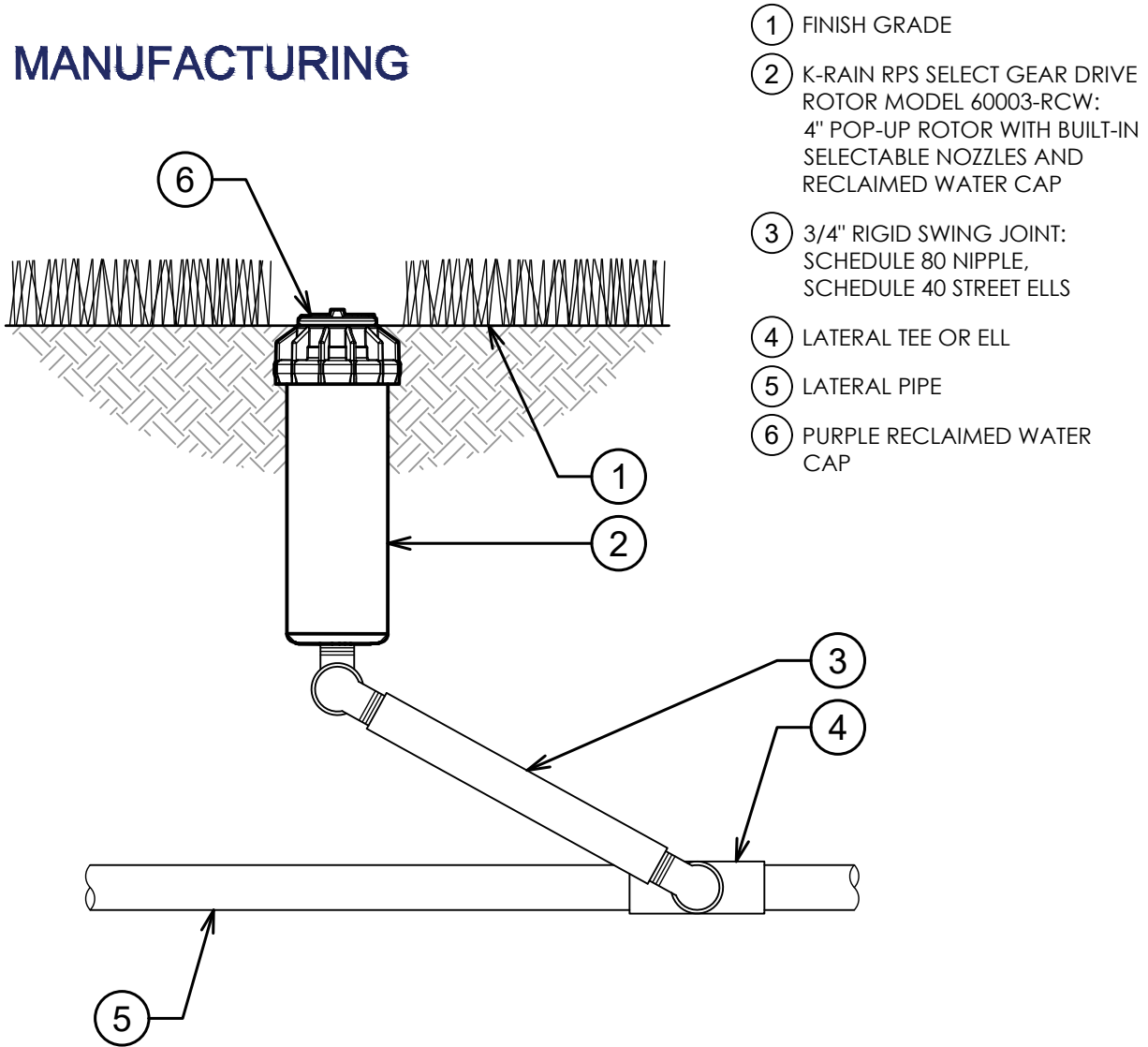


- ① FINISH GRADE
- ② K-RAIN RPS SELECT GEAR DRIVE ROTOR MODEL 60003-RCW: 4" POP-UP ROTOR WITH BUILT-IN SELECTABLE NOZZLES AND RECLAIMED WATER CAP
- ③ 3/4" FLEX SWING JOINT
- ④ LATERAL TEE OR ELL
- ⑤ LATERAL PIPE
- ⑥ PURPLE RECLAIMED WATER CAP

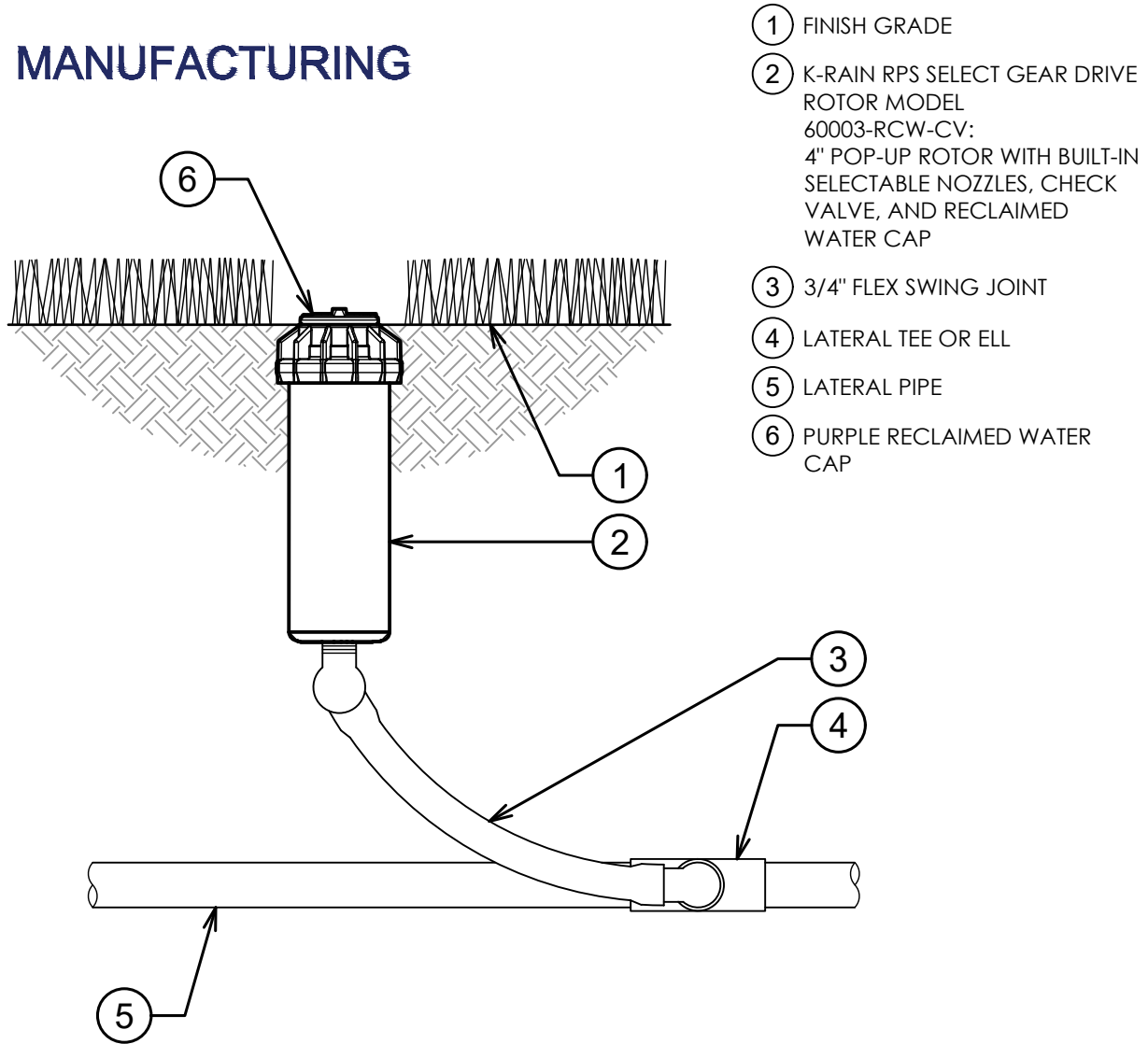


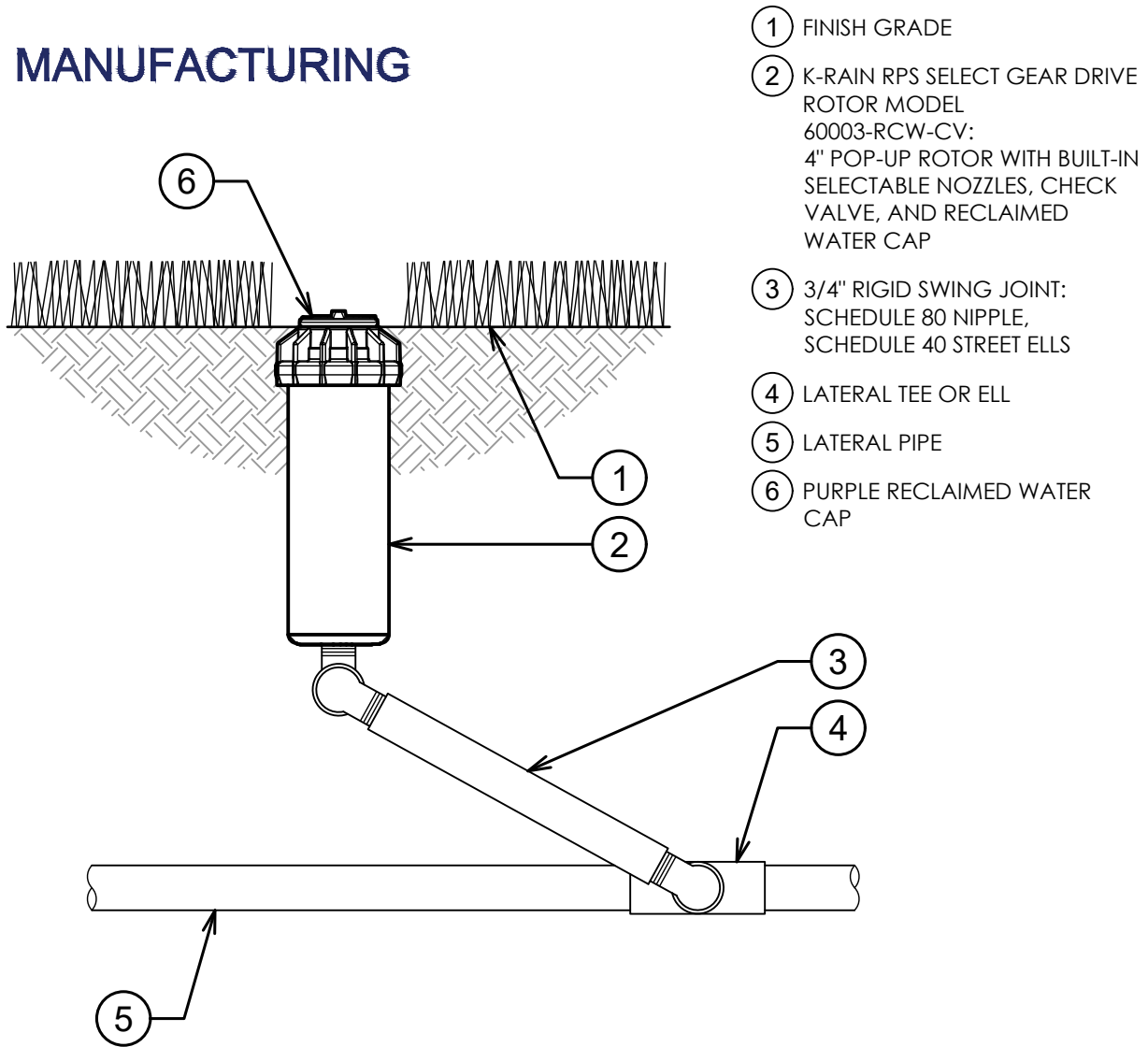
K-RAIN RPS SELECT ROTOR WITH 4" POP-UP

3" = 1'-0"



- ① FINISH GRADE
- ② K-RAIN RPS SELECT GEAR DRIVE ROTOR MODEL 60003-RCW: 4" POP-UP ROTOR WITH BUILT-IN SELECTABLE NOZZLES AND RECLAIMED WATER CAP
- ③ 3/4" RIGID SWING JOINT: SCHEDULE 80 NIPPLE, SCHEDULE 40 STREET ELLS
- ④ LATERAL TEE OR ELL
- ⑤ LATERAL PIPE
- ⑥ PURPLE RECLAIMED WATER CAP





- ① FINISH GRADE
- ② K-RAIN RPS SELECT GEAR DRIVE ROTOR MODEL 60003-RCW-CV: 4" POP-UP ROTOR WITH BUILT-IN SELECTABLE NOZZLES, CHECK VALVE, AND RECLAIMED WATER CAP
- ③ 3/4" RIGID SWING JOINT: SCHEDULE 80 NIPPLE, SCHEDULE 40 STREET ELLS
- ④ LATERAL TEE OR ELL
- ⑤ LATERAL PIPE
- ⑥ PURPLE RECLAIMED WATER CAP