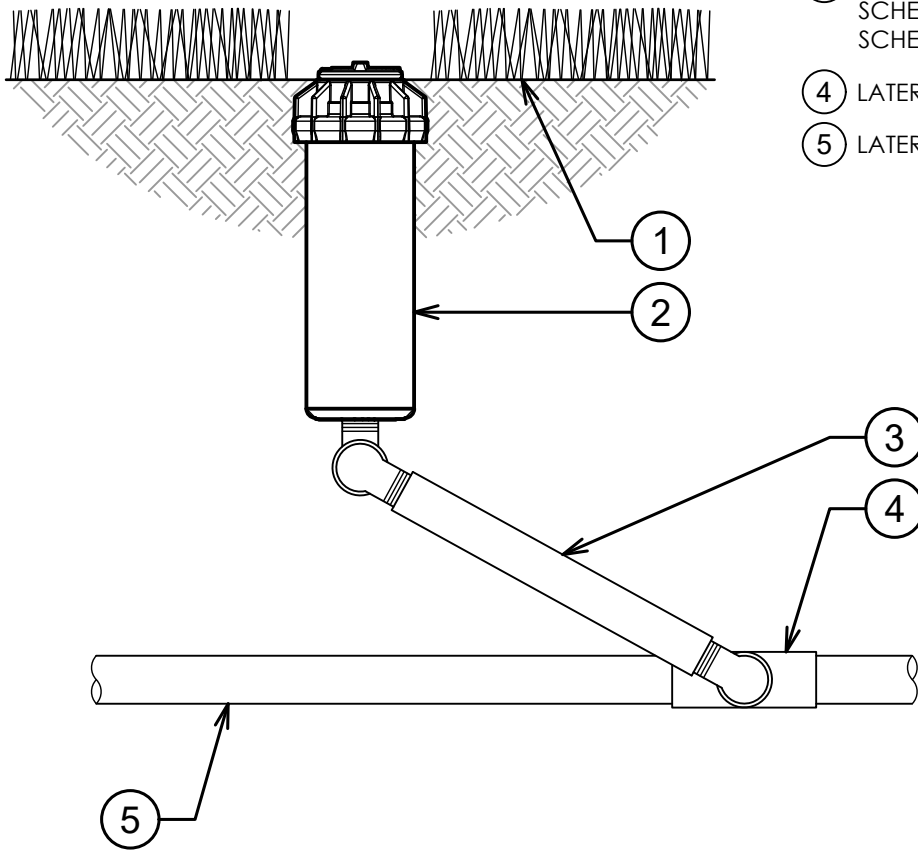


- ① FINISH GRADE
- ② K-RAIN RPS SELECT GEAR DRIVE ROTOR MODEL 60003-CV: 4" POP-UP ROTOR WITH BUILT-IN SELECTABLE NOZZLES AND CHECK VALVE
- ③ 3/4" RIGID SWING JOINT: SCHEDULE 80 NIPPLE, SCHEDULE 40 STREET ELLS
- ④ LATERAL TEE OR ELL
- ⑤ LATERAL PIPE



K-RAIN RPS SELECT ROTOR WITH 4" POP-UP

3" = 1'-0"