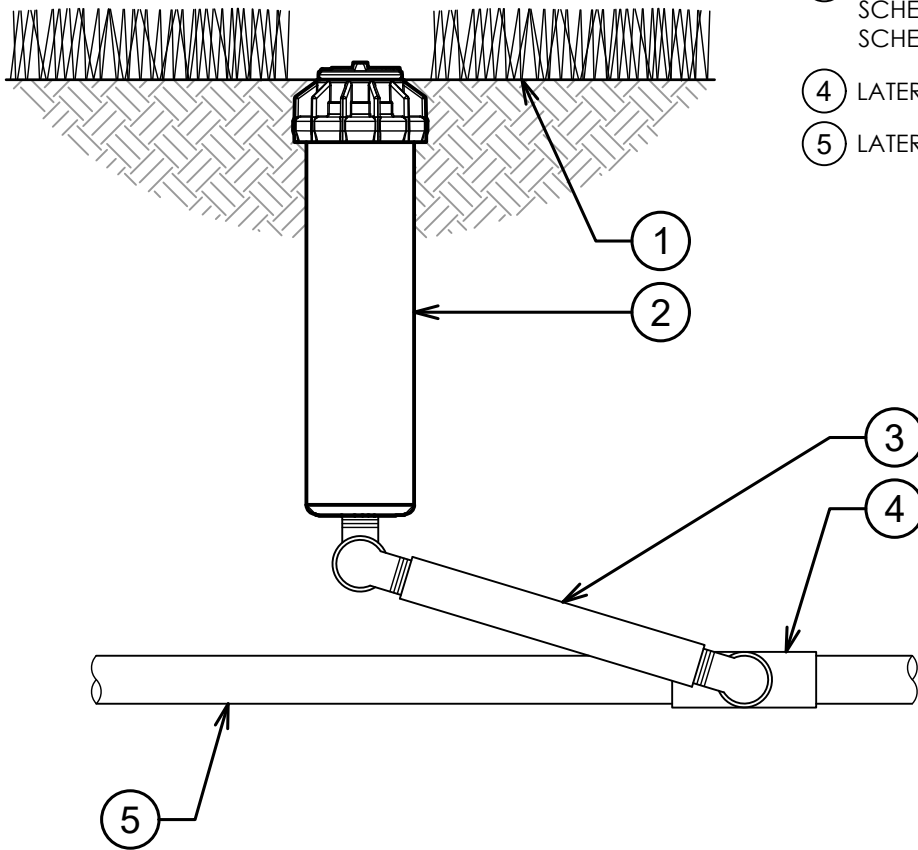


- ① FINISH GRADE
- ② K-RAIN RPS75 GEAR DRIVE ROTOR MODEL RPS75-6INCH-CV: 6" POP-UP ROTOR WITH CHECK VALVE
- ③ 3/4" RIGID SWING JOINT: SCHEDULE 80 NIPPLE, SCHEDULE 40 STREET ELLS
- ④ LATERAL TEE OR ELL
- ⑤ LATERAL PIPE



K-RAIN RPS75 ROTOR WITH 6" POP-UP

3" = 1'-0"