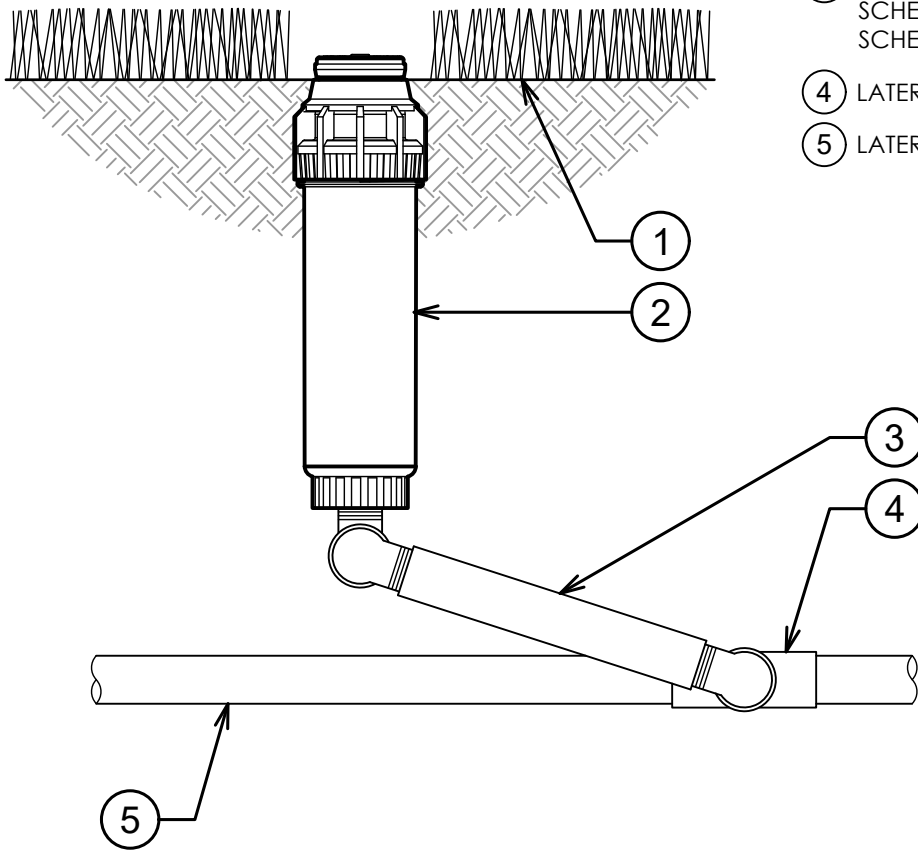


- ① FINISH GRADE
- ② K-RAIN PRO SPORT GEAR DRIVE ROTOR MODEL 14053-BSP:
4" POP-UP HIGH SPEED ROTOR
WITH CHECK VALVE AND 1"
BSP THREADED INLET
- ③ 1" RIGID SWING JOINT:
SCHEDULE 80 NIPPLE,
SCHEDULE 40 STREET ELLS
- ④ LATERAL TEE OR ELL
- ⑤ LATERAL PIPE



K-RAIN PRO SPORT ROTOR WITH 4" POP-UP

3" = 1'-0"

www.krain.com