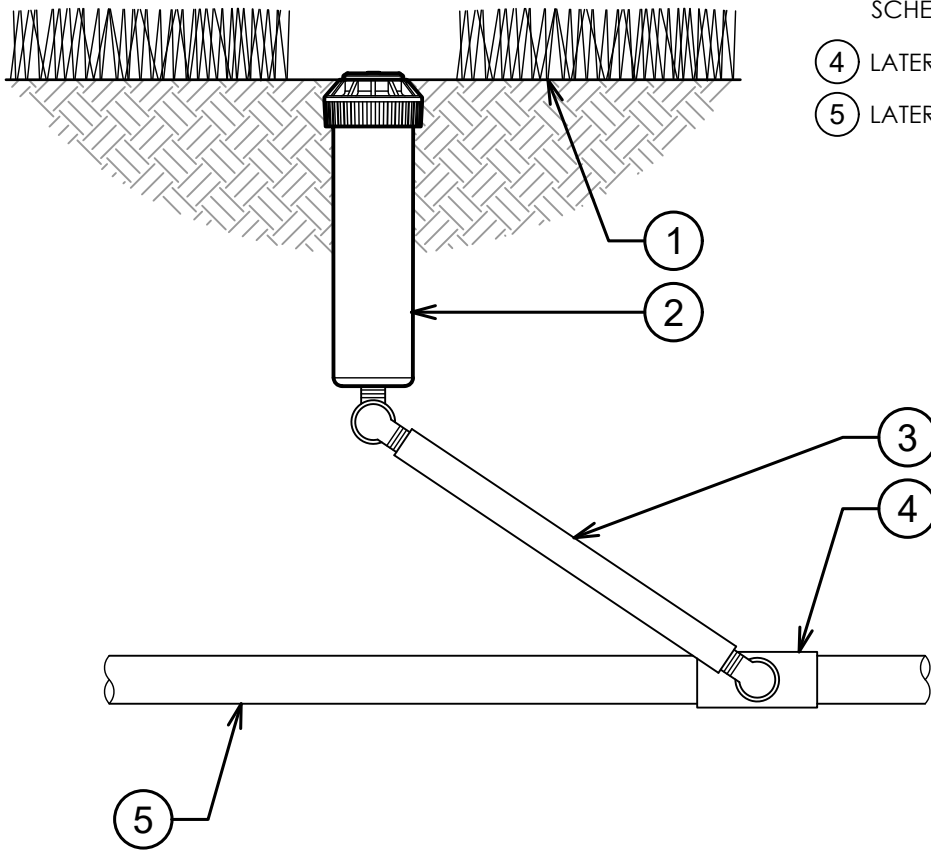


- ① FINISH GRADE
- ② K-RAIN MINIPRO GEAR DRIVE ROTOR MODEL 13003-CV:  
4" POP-UP ROTOR WITH CHECK VALVE
- ③ 1/2" RIGID SWING JOINT:  
SCHEDULE 80 NIPPLE,  
SCHEDULE 40 STREET ELLS
- ④ LATERAL TEE OR ELL
- ⑤ LATERAL PIPE



**K-RAIN MINIPRO ROTOR WITH 4" POP-UP**

3" = 1'-0"