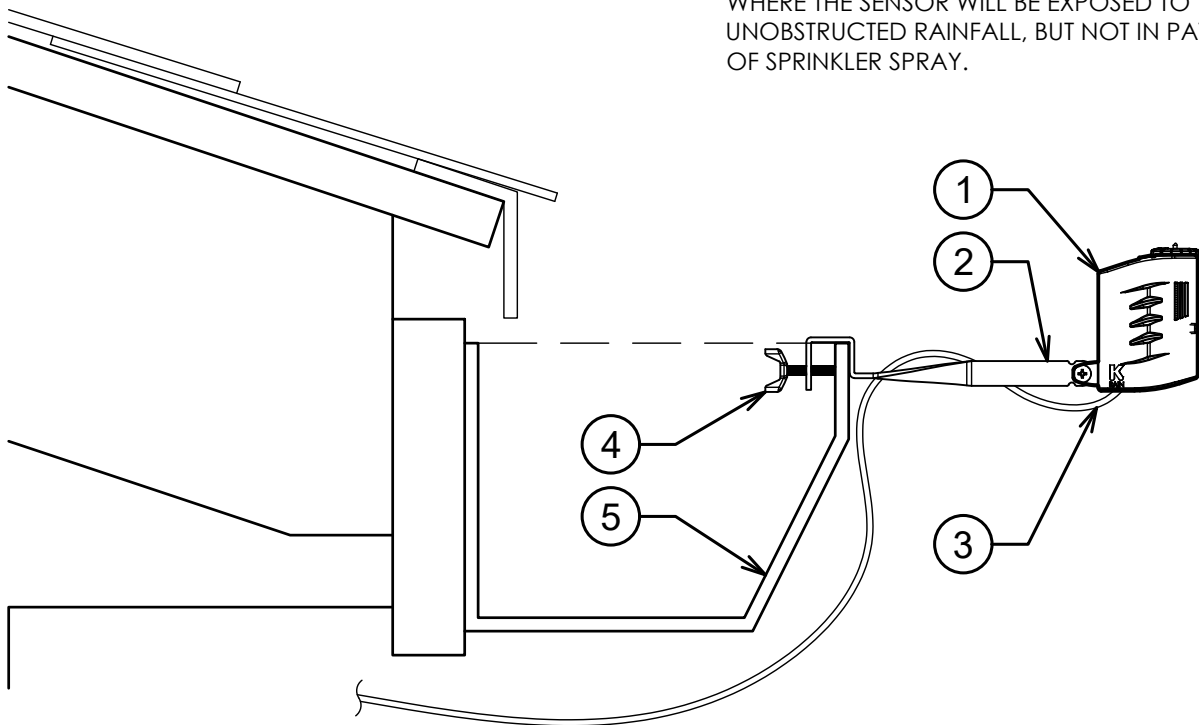


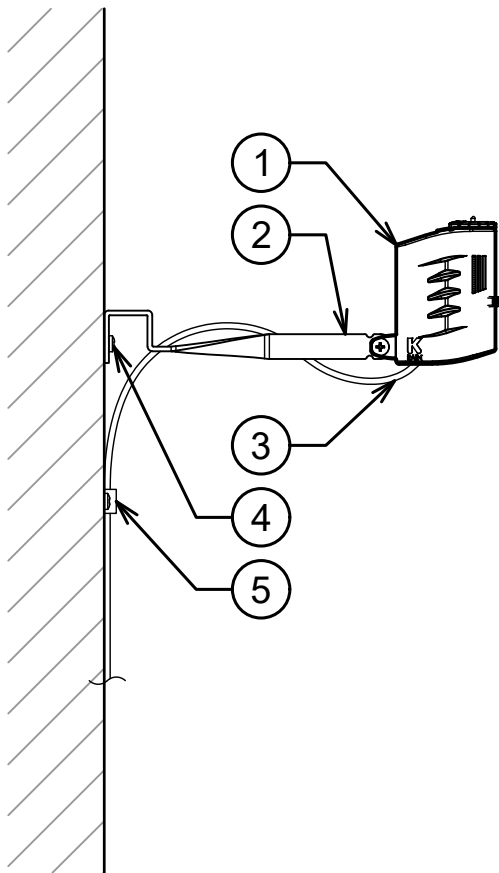
- ① K-RAIN RAIN-FREEZE SENSOR
MODEL 3208-HRFS: WIRED RAIN-FREEZE
SENSOR
- ② 2-IN-1 MOUNTING BRACKET (INCLUDED)
- ③ 25' OUTDOOR-RATED, 2-WIRE CABLE
TO IRRIGATION CONTROLLER
- ④ FASTENER APPROPRIATE FOR
WALL OR POST MATERIAL
- ⑤ SECURE CABLE WITH TIE BRACKET
AS REQUIRED

NOTE:
MOUNT ON A SUITABLE VERTICAL SURFACE
WHERE THE SENSOR WILL BE EXPOSED TO
UNOBSTRUCTED RAINFALL, BUT NOT IN PATH
OF SPRINKLER SPRAY.

- ① K-RAIN RAIN-FREEZE SENSOR
MODEL 3208-HRFS: WIRED RAIN-FREEZE
SENSOR
- ② 2-IN-1 MOUNTING BRACKET (INCLUDED)
- ③ 25' OUTDOOR-RATED, 2-WIRE CABLE
TO IRRIGATION CONTROLLER
- ④ STAINLESS STEEL WING THUMB SCREW
- ⑤ ROOF GUTTER BY OTHERS

NOTE:
MOUNT ON A SUITABLE VERTICAL SURFACE
WHERE THE SENSOR WILL BE EXPOSED TO
UNOBSTRUCTED RAINFALL, BUT NOT IN PATH
OF SPRINKLER SPRAY.



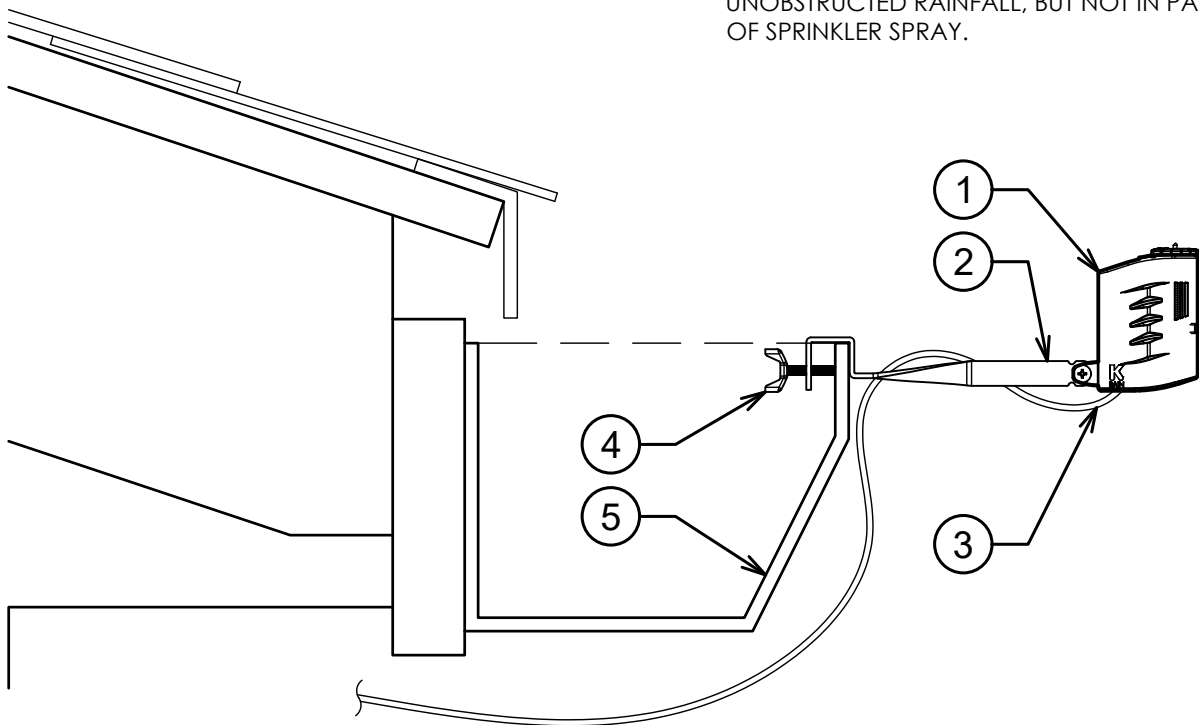


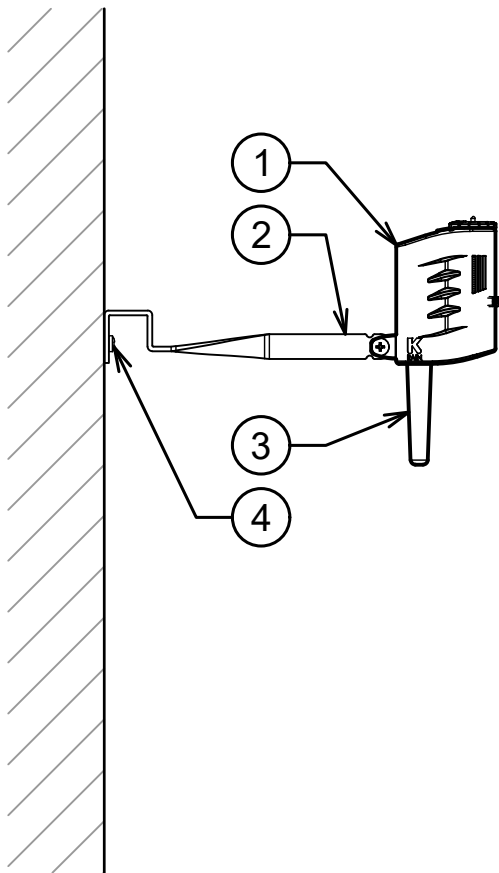
- ① K-RAIN RAIN SENSOR
MODEL 3208-HRS: WIRED RAIN SENSOR
- ② 2-IN-1 MOUNTING BRACKET (INCLUDED)
- ③ 25' OUTDOOR-RATED, 2-WIRE CABLE
TO IRRIGATION CONTROLLER
- ④ FASTENER APPROPRIATE FOR
WALL OR POST MATERIAL
- ⑤ SECURE CABLE WITH TIE BRACKET AS
REQUIRED

NOTE:
MOUNT ON A SUITABLE VERTICAL SURFACE
WHERE THE SENSOR WILL BE EXPOSED TO
UNOBSTRUCTED RAINFALL, BUT NOT IN PATH
OF SPRINKLER SPRAY.

- ① K-RAIN RAIN SENSOR
MODEL 3208-HRS: WIRED RAIN SENSOR
- ② 2-IN-1 MOUNTING BRACKET (INCLUDED)
- ③ 25' OUTDOOR-RATED, 2-WIRE CABLE
TO IRRIGATION CONTROLLER
- ④ STAINLESS STEEL WING THUMB SCREW
- ⑤ ROOF GUTTER BY OTHERS

NOTE:
MOUNT ON A SUITABLE VERTICAL SURFACE
WHERE THE SENSOR WILL BE EXPOSED TO
UNOBSTRUCTED RAINFALL, BUT NOT IN PATH
OF SPRINKLER SPRAY.





- ① K-RAIN WIRELESS RAIN-FREEZE SENSOR
MODEL 3208-WRFS: WIRELESS RAIN-FREEZE
SENSOR FOR PRO EX 2.0 WIFI CONTROLLER
- ② 2-IN-1 MOUNTING BRACKET (INCLUDED)
- ③ RADIO ANTENNA: WIRELESS RANGE
UP TO 400 FEET LINE-OF-SIGHT
- ④ FASTENER APPROPRIATE FOR
WALL OR POST MATERIAL

NOTE:
MOUNT ON A SUITABLE VERTICAL SURFACE
WHERE THE SENSOR WILL BE EXPOSED TO
UNOBSTRUCTED RAINFALL, BUT NOT IN PATH
OF SPRINKLER SPRAY.

- ① K-RAIN WIRELESS RAIN-FREEZE SENSOR
MODEL 3208-WRFS: WIRELESS RAIN-FREEZE
SENSOR FOR PRO EX 2.0 WIFI CONTROLLER
- ② 2-IN-1 MOUNTING BRACKET (INCLUDED)
- ③ RADIO ANTENNA: WIRELESS RANGE
UP TO 400 FEET LINE-OF-SIGHT
- ④ STAINLESS STEEL WING THUMB SCREW
- ⑤ ROOF GUTTER BY OTHERS

NOTE:
MOUNT ON A SUITABLE VERTICAL SURFACE
WHERE THE SENSOR WILL BE EXPOSED TO
UNOBSTRUCTED RAINFALL, BUT NOT IN PATH
OF SPRINKLER SPRAY.

