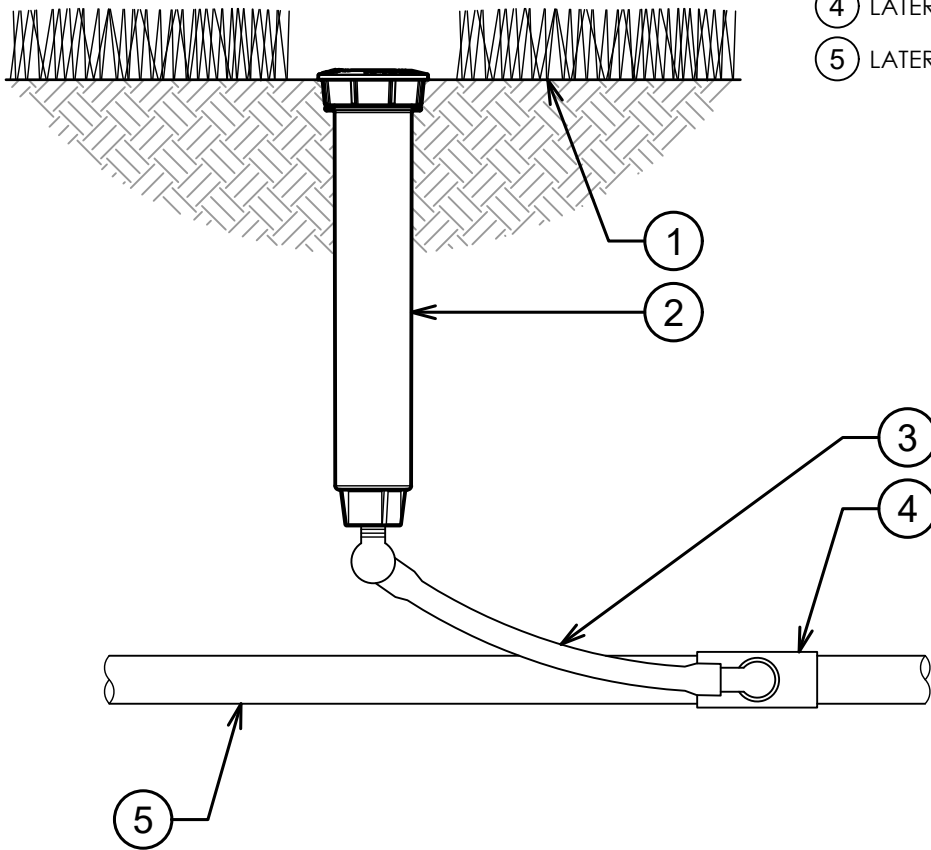


- ① FINISH GRADE
- ② K-RAIN PRO-S SPRAY
MODEL 78006-NSI:
6" POP-UP SPRAY, NO SIDE
INLET OPTION
- ③ 1/2" FLEX SWING JOINT
- ④ LATERAL TEE OR ELL
- ⑤ LATERAL PIPE



00

K-RAIN PRO-S SPRAY WITH 6" POP-UP

3" = 1'-0"

www.krain.com