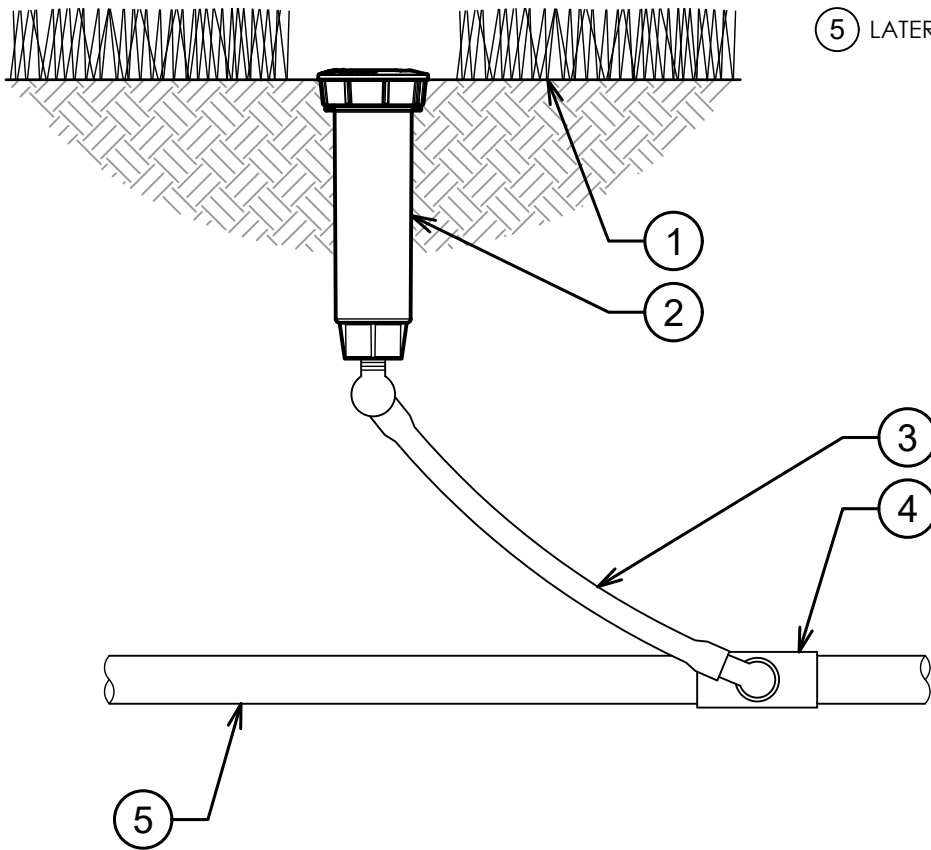


- ① FINISH GRADE
- ② K-RAIN PRO-S SPRAY  
MODEL 78004:  
4" POP-UP SPRAY
- ③ 1/2" FLEX SWING JOINT
- ④ LATERAL TEE OR ELL
- ⑤ LATERAL PIPE

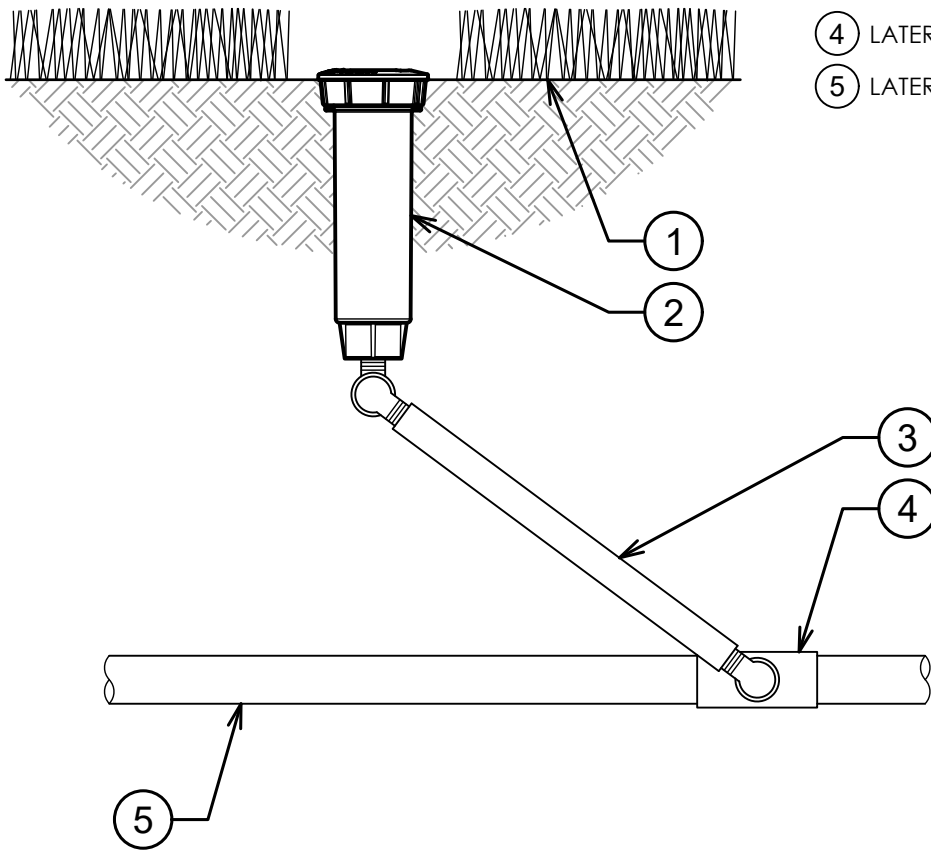


00

## K-RAIN PRO-S SPRAY WITH 4" POP-UP

3" = 1'-0"

- ① FINISH GRADE
- ② K-RAIN PRO-S SPRAY  
MODEL 78004:  
4" POP-UP SPRAY
- ③ 1/2" RIGID SWING JOINT:  
SCHEDULE 80 NIPPLE,  
SCHEDULE 40 STREET ELLS
- ④ LATERAL TEE OR ELL
- ⑤ LATERAL PIPE

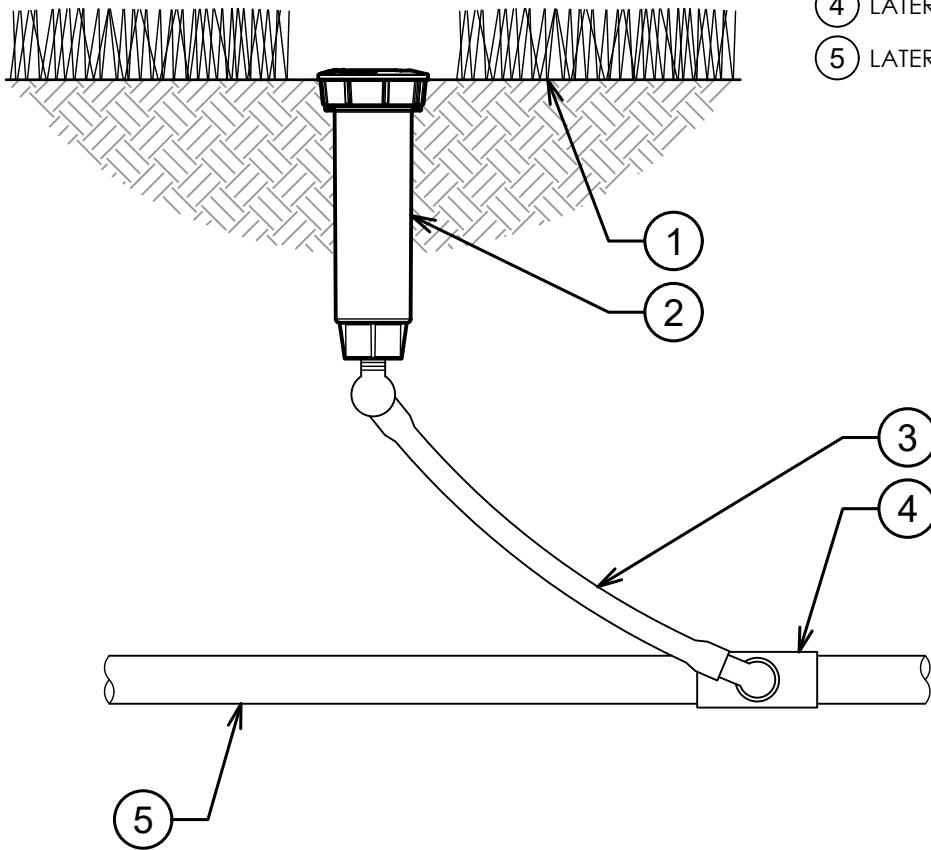


## K-RAIN PRO-S SPRAY WITH 4" POP-UP

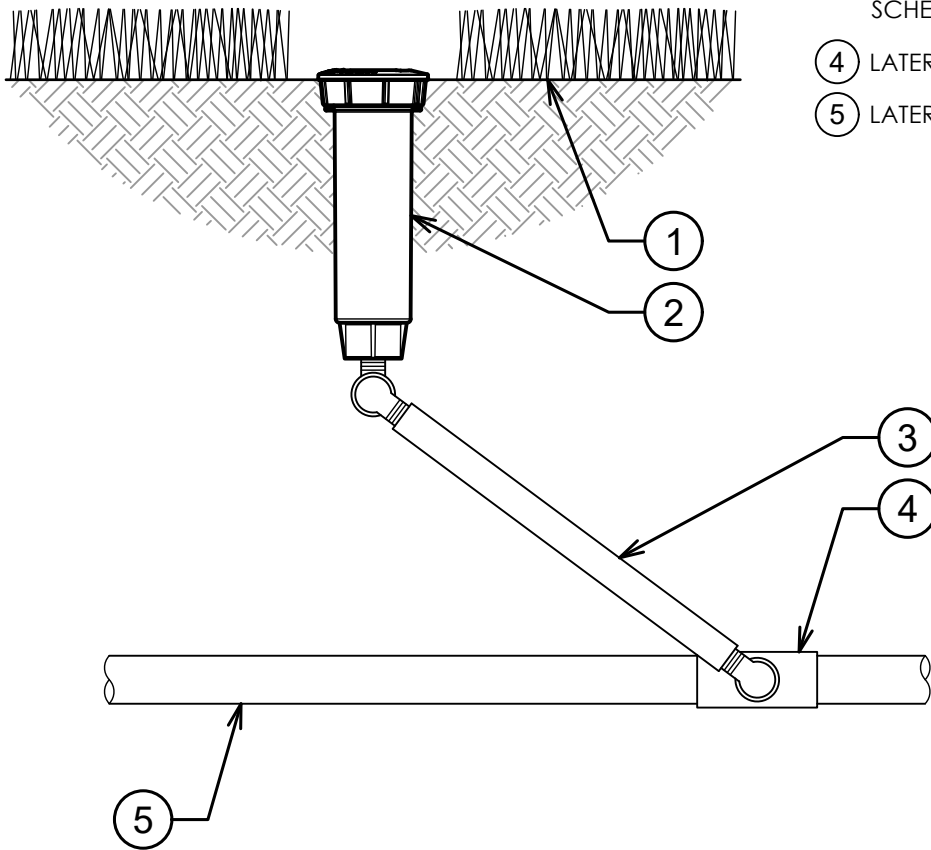
3" = 1'-0"

[www.krain.com](http://www.krain.com)

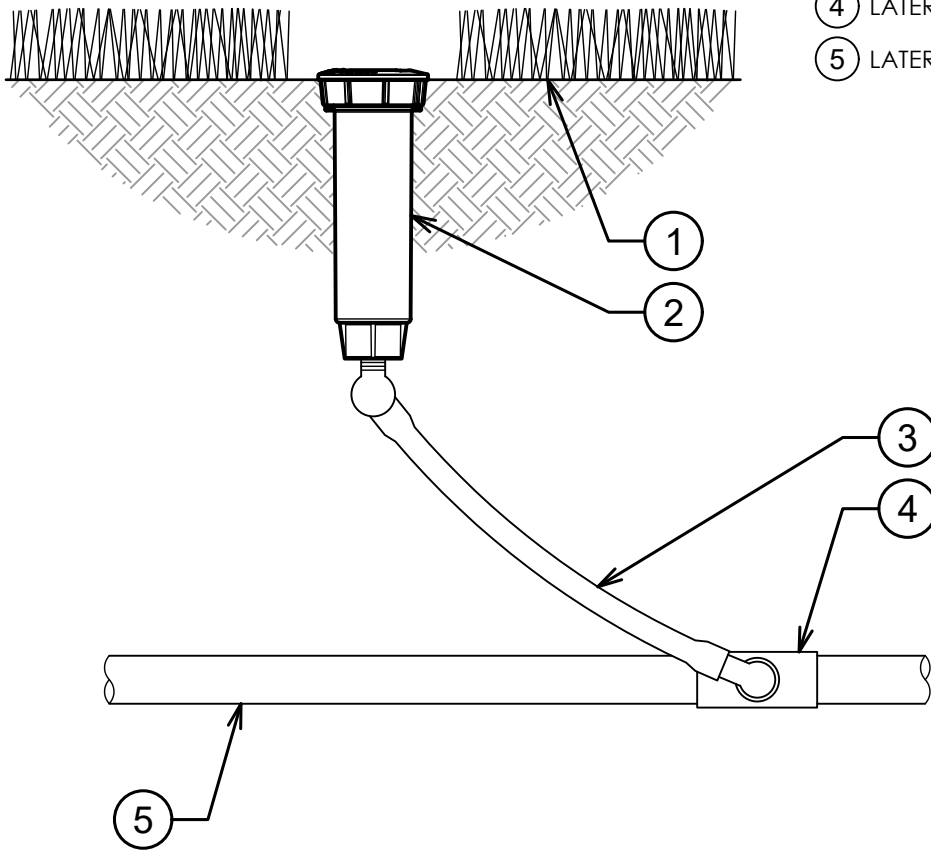
- ① FINISH GRADE
- ② K-RAIN PRO-S SPRAY  
MODEL 78004-CV:  
4" POP-UP SPRAY WITH CHECK  
VALVE
- ③ 1/2" FLEX SWING JOINT
- ④ LATERAL TEE OR ELL
- ⑤ LATERAL PIPE



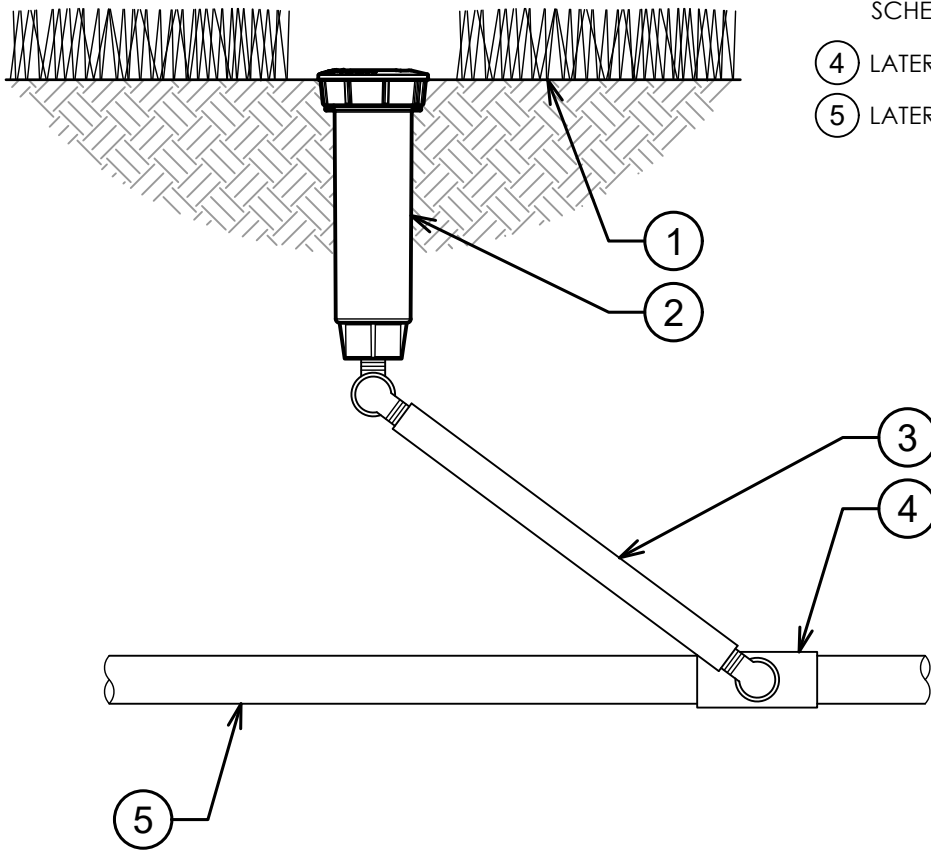
- ① FINISH GRADE
- ② K-RAIN PRO-S SPRAY  
MODEL 78004-CV:  
4" POP-UP SPRAY WITH CHECK  
VALVE
- ③ 1/2" RIGID SWING JOINT:  
SCHEDULE 80 NIPPLE,  
SCHEDULE 40 STREET ELLS
- ④ LATERAL TEE OR ELL
- ⑤ LATERAL PIPE

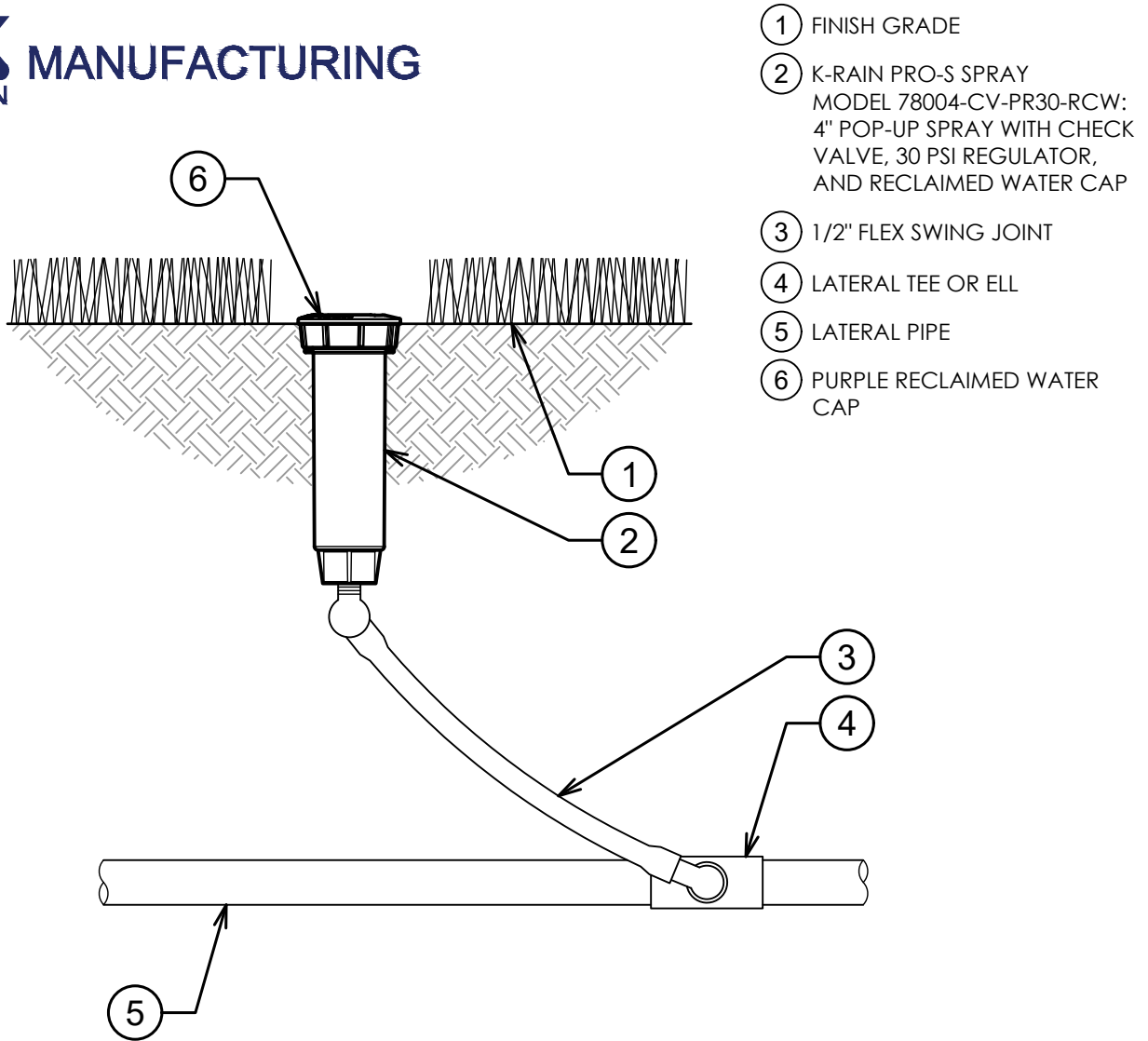


- ① FINISH GRADE
- ② K-RAIN PRO-S SPRAY  
MODEL 78004-CV-PR30:  
4" POP-UP SPRAY WITH CHECK  
VALVE AND 30 PSI REGULATOR
- ③ 1/2" FLEX SWING JOINT
- ④ LATERAL TEE OR ELL
- ⑤ LATERAL PIPE



- ① FINISH GRADE
- ② K-RAIN PRO-S SPRAY  
MODEL 78004-CV-PR30:  
4" POP-UP SPRAY WITH CHECK  
VALVE AND 30 PSI REGULATOR
- ③ 1/2" RIGID SWING JOINT:  
SCHEDULE 80 NIPPLE,  
SCHEDULE 40 STREET ELLS
- ④ LATERAL TEE OR ELL
- ⑤ LATERAL PIPE



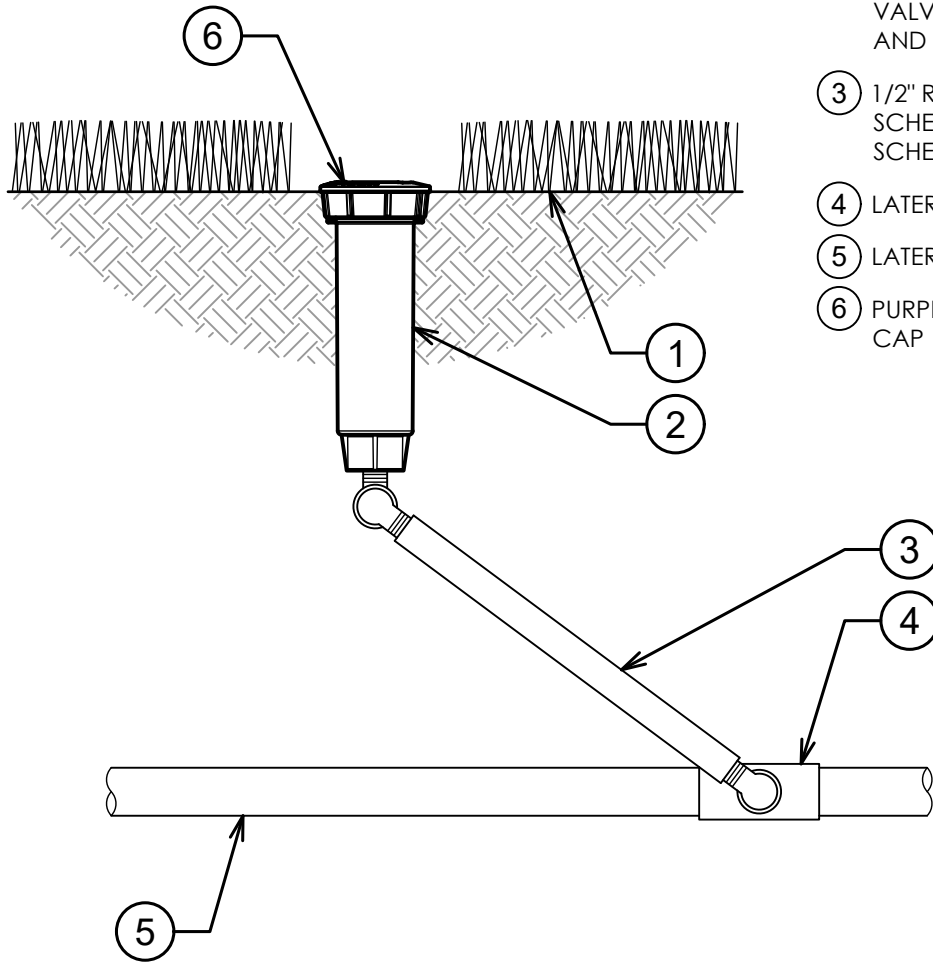


- ① FINISH GRADE
- ② K-RAIN PRO-S SPRAY  
MODEL 78004-CV-PR30-RCW:  
4" POP-UP SPRAY WITH CHECK  
VALVE, 30 PSI REGULATOR,  
AND RECLAIMED WATER CAP
- ③ 1/2" FLEX SWING JOINT
- ④ LATERAL TEE OR ELL
- ⑤ LATERAL PIPE
- ⑥ PURPLE RECLAIMED WATER  
CAP



**K-RAIN PRO-S SPRAY WITH 4" POP-UP**

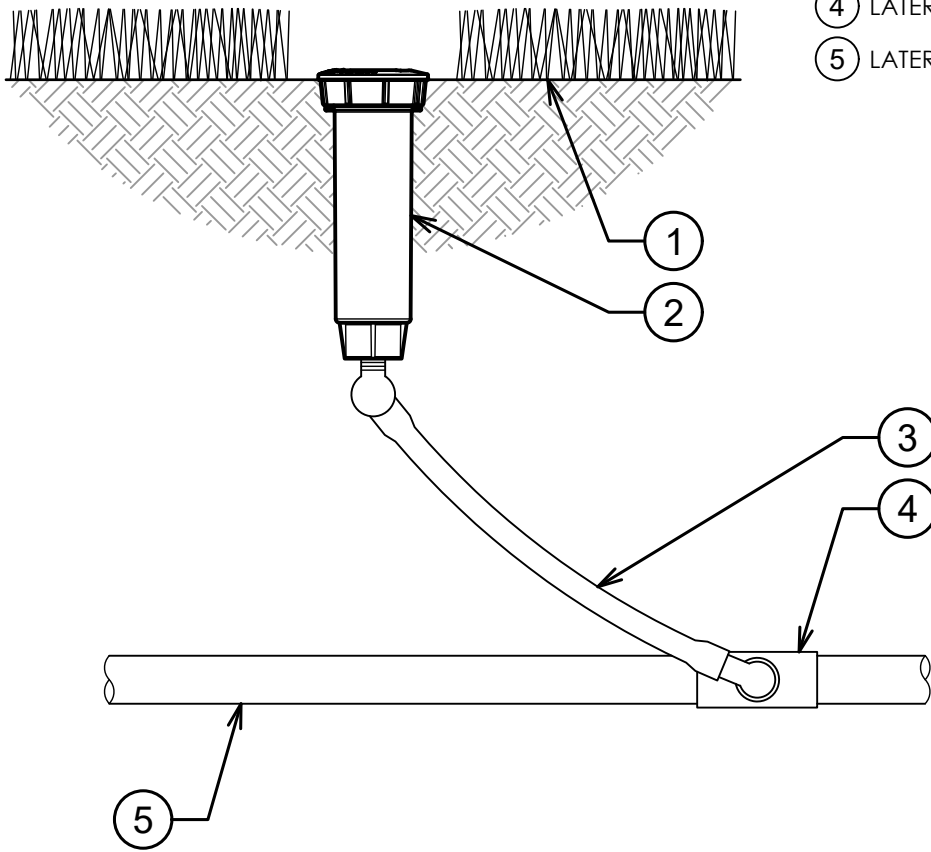
3" = 1'-0"



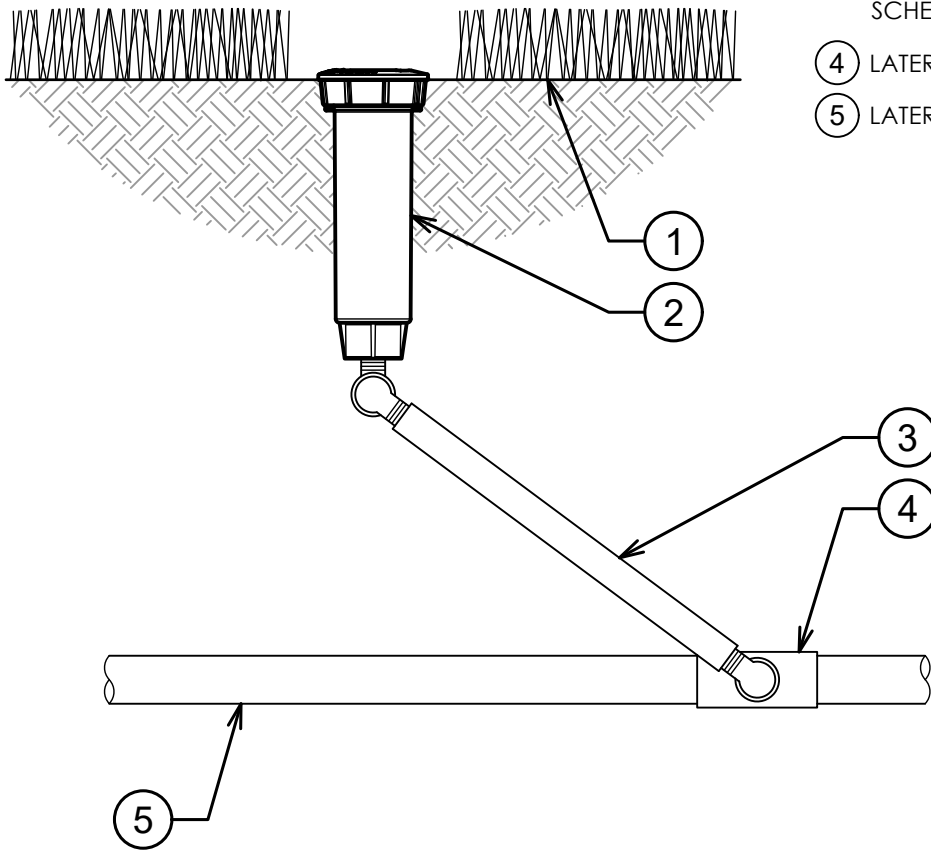
- ① FINISH GRADE
- ② K-RAIN PRO-S SPRAY  
MODEL 78004-CV-PR30-RCW:  
4" POP-UP SPRAY WITH CHECK  
VALVE, 30 PSI REGULATOR,  
AND RECLAIMED WATER CAP
- ③ 1/2" RIGID SWING JOINT:  
SCHEDULE 80 NIPPLE,  
SCHEDULE 40 STREET ELLS
- ④ LATERAL TEE OR ELL
- ⑤ LATERAL PIPE
- ⑥ PURPLE RECLAIMED WATER  
CAP



- ① FINISH GRADE
- ② K-RAIN PRO-S SPRAY  
MODEL 78004-CV-PR40:  
4" POP-UP SPRAY WITH CHECK  
VALVE AND 40 PSI REGULATOR
- ③ 1/2" FLEX SWING JOINT
- ④ LATERAL TEE OR ELL
- ⑤ LATERAL PIPE

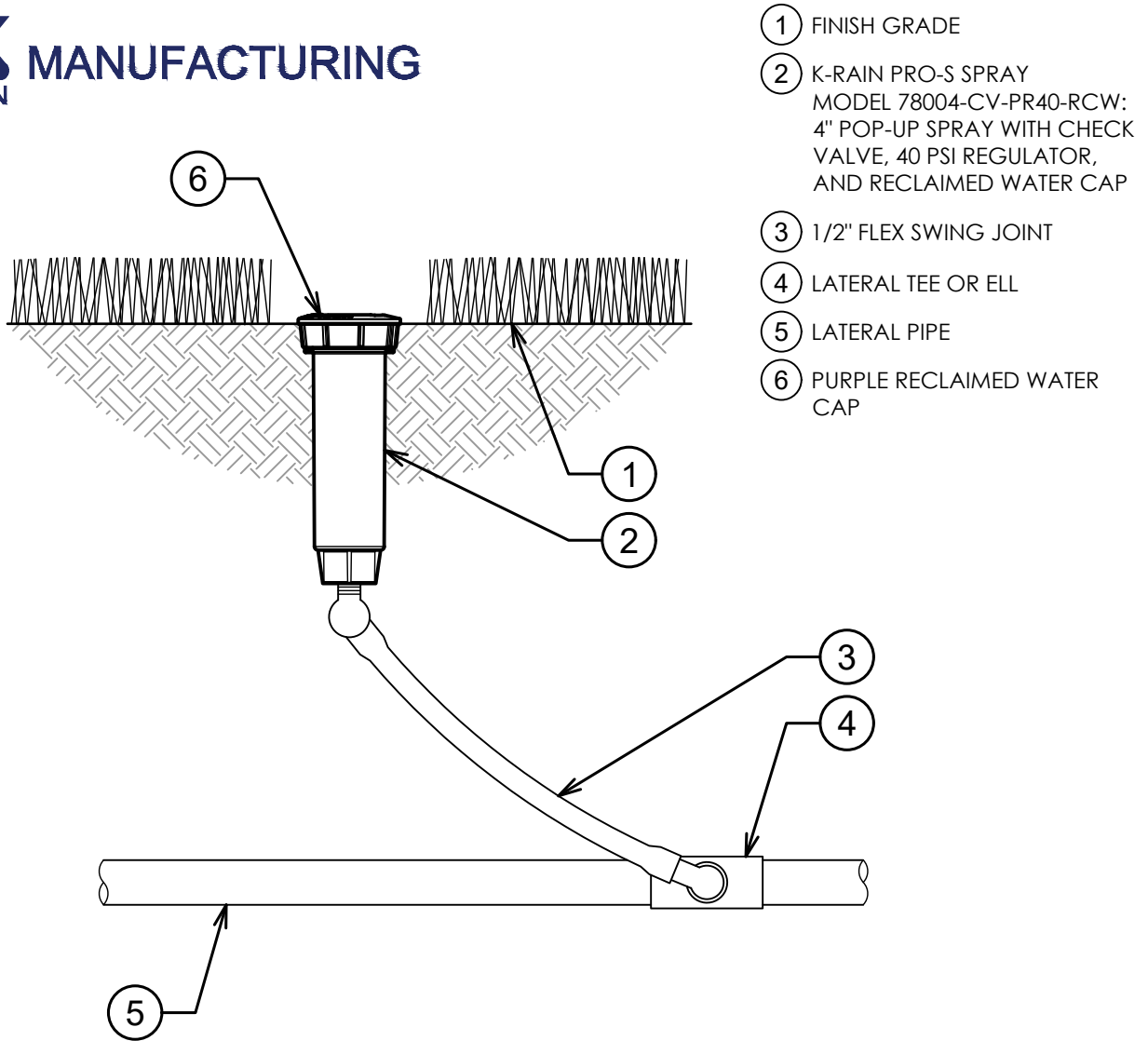


- ① FINISH GRADE
- ② K-RAIN PRO-S SPRAY  
MODEL 78004-CV-PR40:  
4" POP-UP SPRAY WITH CHECK  
VALVE AND 40 PSI REGULATOR
- ③ 1/2" RIGID SWING JOINT:  
SCHEDULE 80 NIPPLE,  
SCHEDULE 40 STREET ELLS
- ④ LATERAL TEE OR ELL
- ⑤ LATERAL PIPE



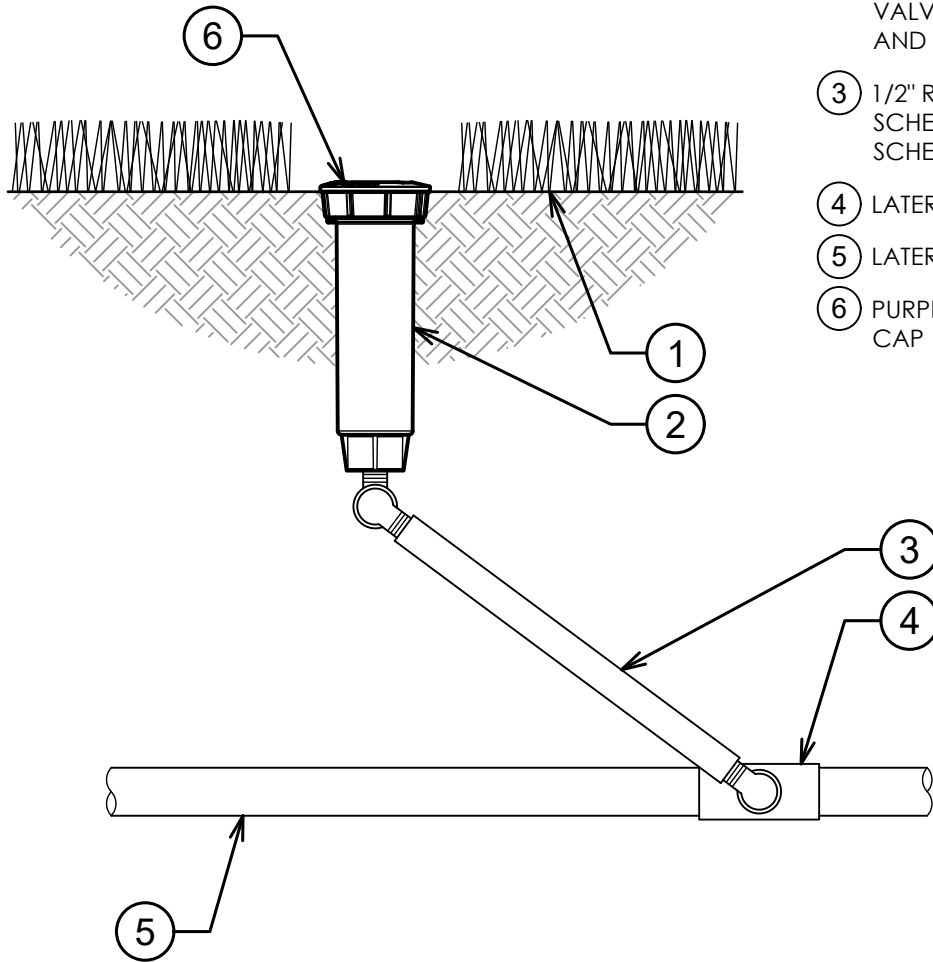
**K-RAIN PRO-S SPRAY WITH 4" POP-UP**

3" = 1'-0"

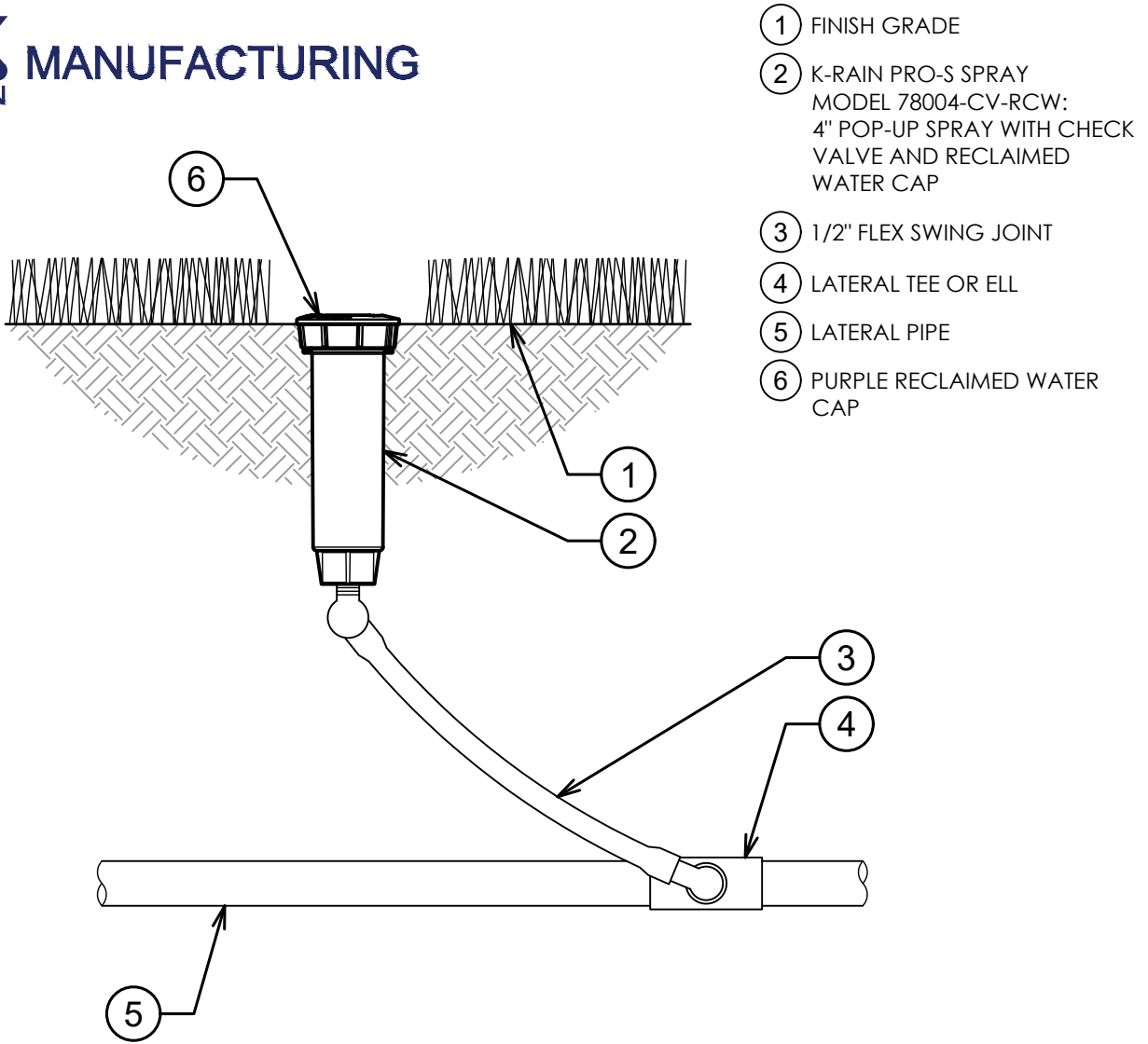


**K-RAIN PRO-S SPRAY WITH 4" POP-UP**

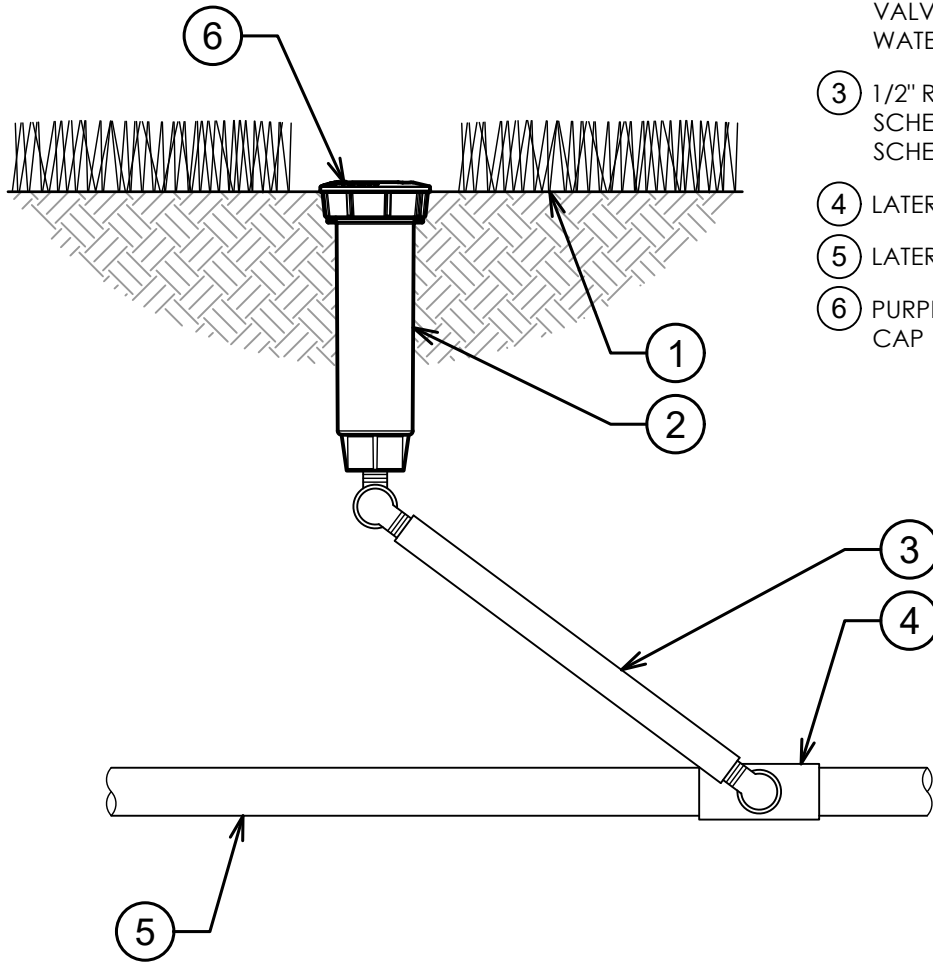
3" = 1'-0"



- ① FINISH GRADE
- ② K-RAIN PRO-S SPRAY  
MODEL 78004-CV-PR40-RCW:  
4" POP-UP SPRAY WITH CHECK  
VALVE, 40 PSI REGULATOR,  
AND RECLAIMED WATER CAP
- ③ 1/2" RIGID SWING JOINT:  
SCHEDULE 80 NIPPLE,  
SCHEDULE 40 STREET ELLS
- ④ LATERAL TEE OR ELL
- ⑤ LATERAL PIPE
- ⑥ PURPLE RECLAIMED WATER  
CAP



- ① FINISH GRADE
- ② K-RAIN PRO-S SPRAY  
MODEL 78004-CV-RCW:  
4" POP-UP SPRAY WITH CHECK  
VALVE AND RECLAIMED  
WATER CAP
- ③ 1/2" FLEX SWING JOINT
- ④ LATERAL TEE OR ELL
- ⑤ LATERAL PIPE
- ⑥ PURPLE RECLAIMED WATER  
CAP



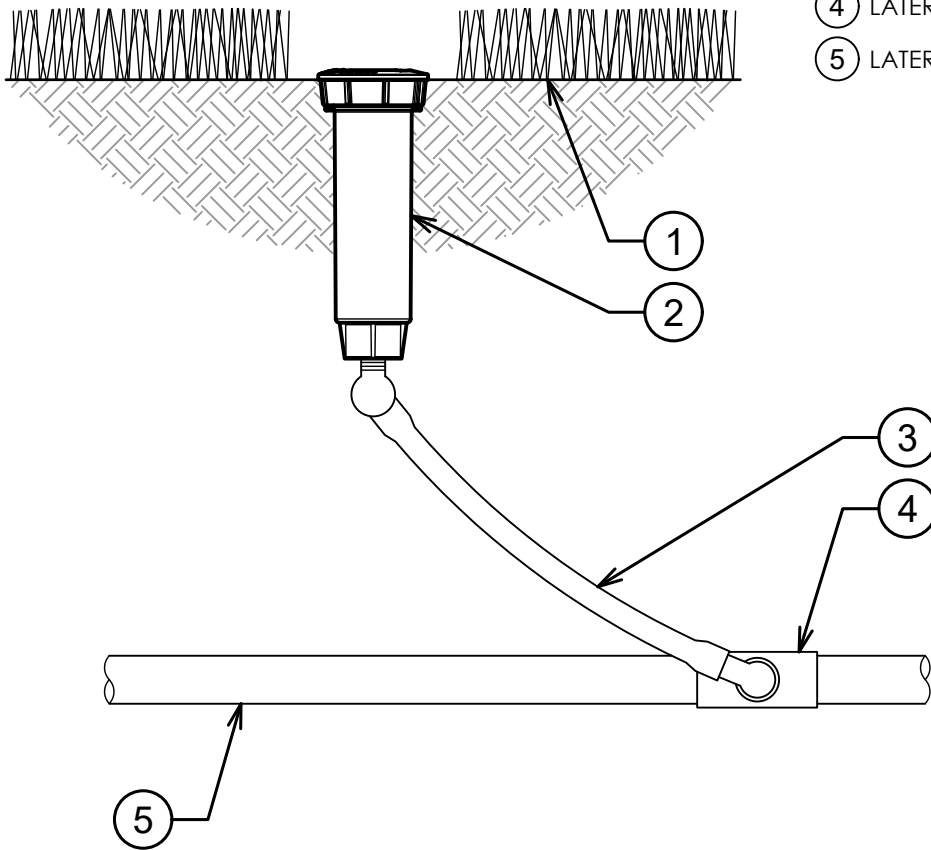
- ① FINISH GRADE
- ② K-RAIN PRO-S SPRAY  
MODEL 78004-CV-RCW:  
4" POP-UP SPRAY WITH CHECK  
VALVE AND RECLAIMED  
WATER CAP
- ③ 1/2" RIGID SWING JOINT:  
SCHEDULE 80 NIPPLE,  
SCHEDULE 40 STREET ELLS
- ④ LATERAL TEE OR ELL
- ⑤ LATERAL PIPE
- ⑥ PURPLE RECLAIMED WATER  
CAP



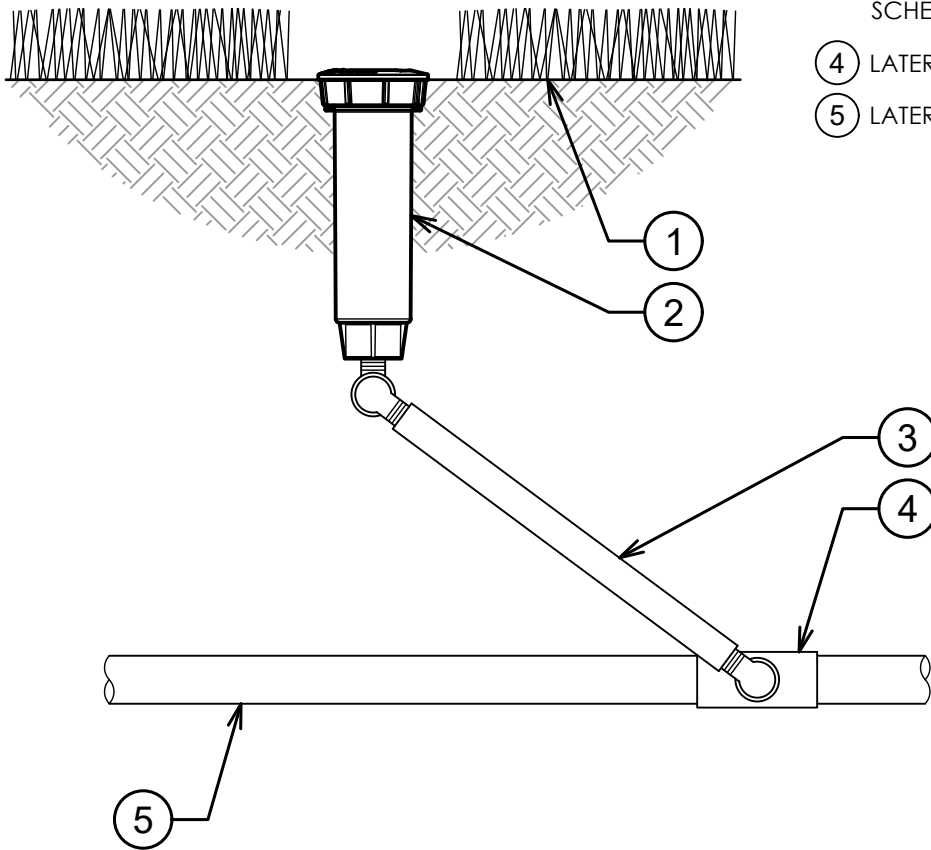
**K-RAIN PRO-S SPRAY WITH 4" POP-UP**

3" = 1'-0"

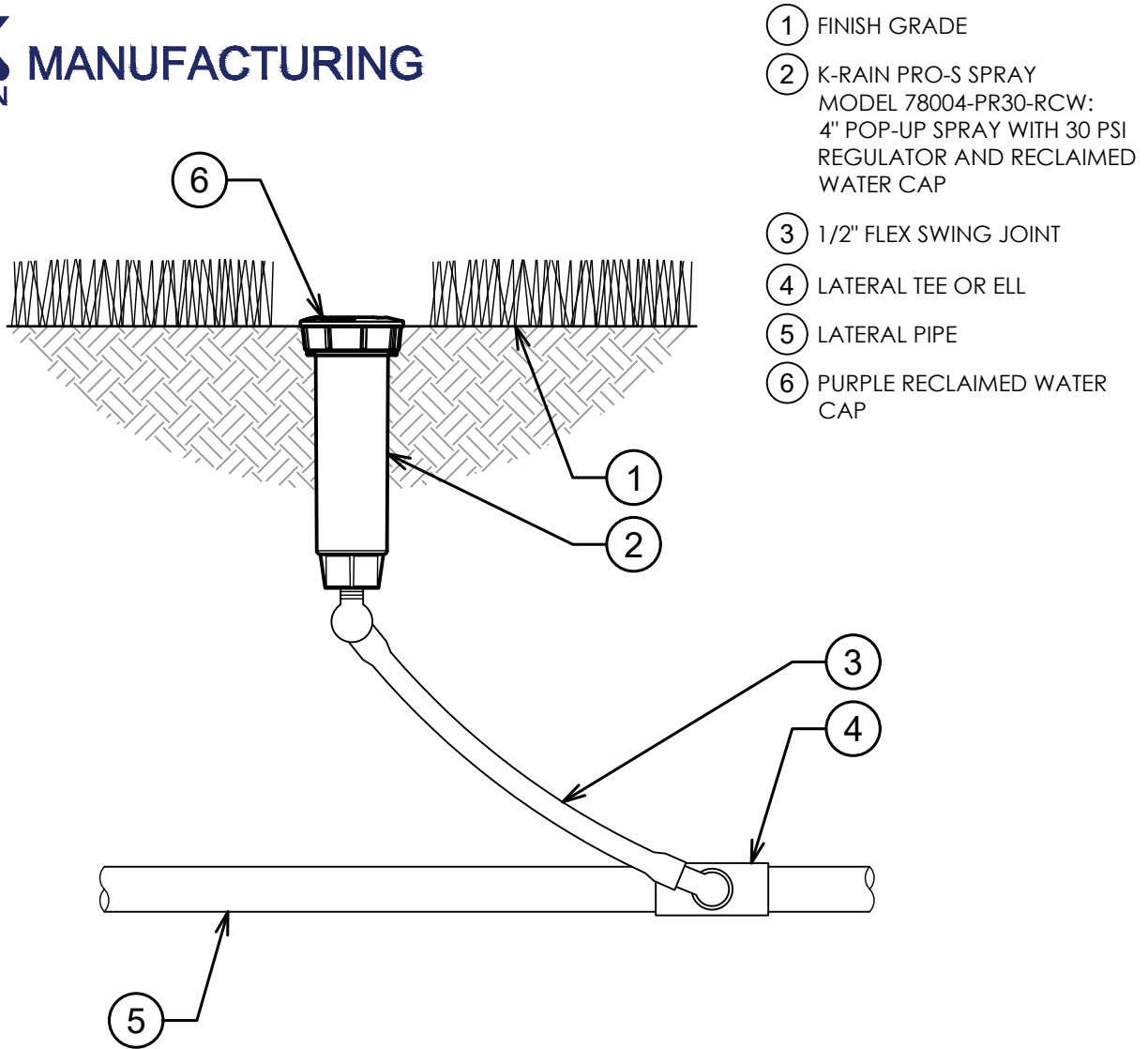
- ① FINISH GRADE
- ② K-RAIN PRO-S SPRAY  
MODEL 78004-PR30:  
4" POP-UP SPRAY WITH 30 PSI  
REGULATOR
- ③ 1/2" FLEX SWING JOINT
- ④ LATERAL TEE OR ELL
- ⑤ LATERAL PIPE

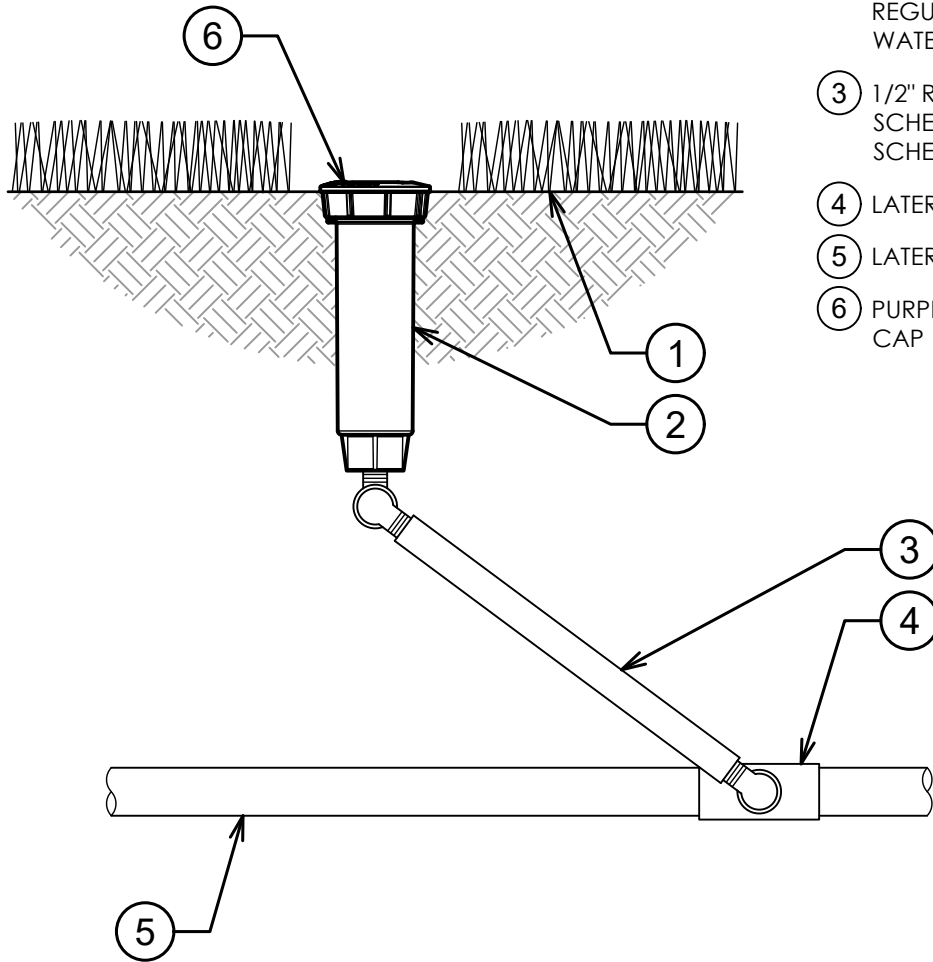


- ① FINISH GRADE
- ② K-RAIN PRO-S SPRAY  
MODEL 78004-PR30:  
4" POP-UP SPRAY WITH 30 PSI  
REGULATOR
- ③ 1/2" RIGID SWING JOINT:  
SCHEDULE 80 NIPPLE,  
SCHEDULE 40 STREET ELLS
- ④ LATERAL TEE OR ELL
- ⑤ LATERAL PIPE



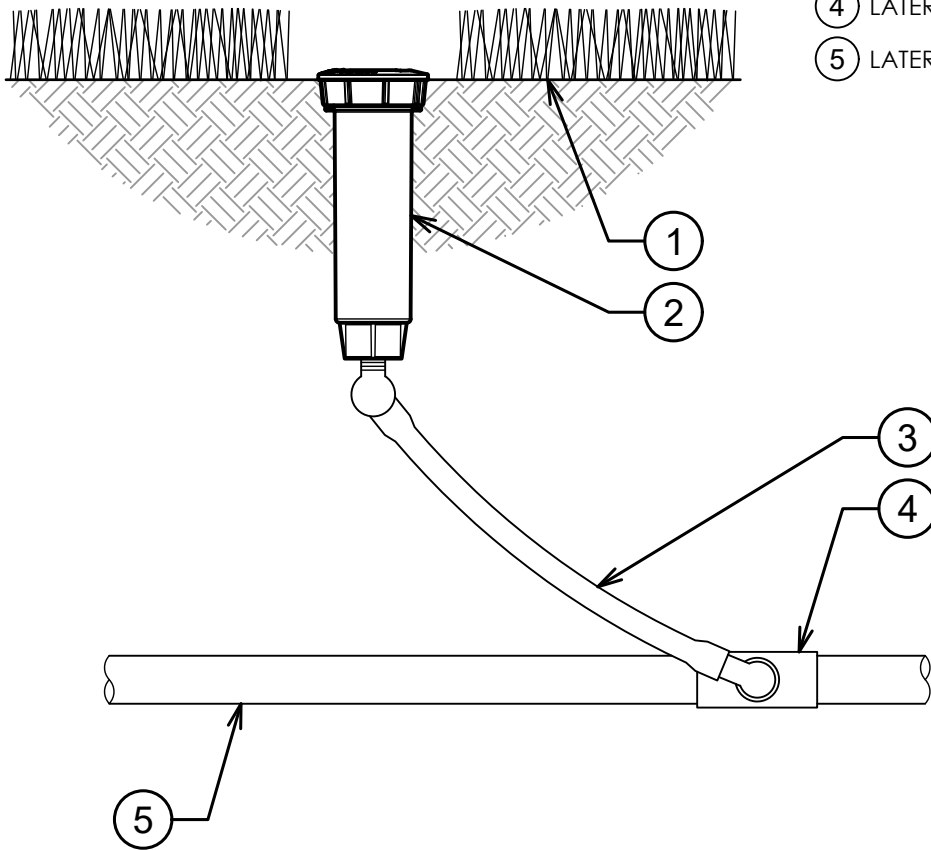




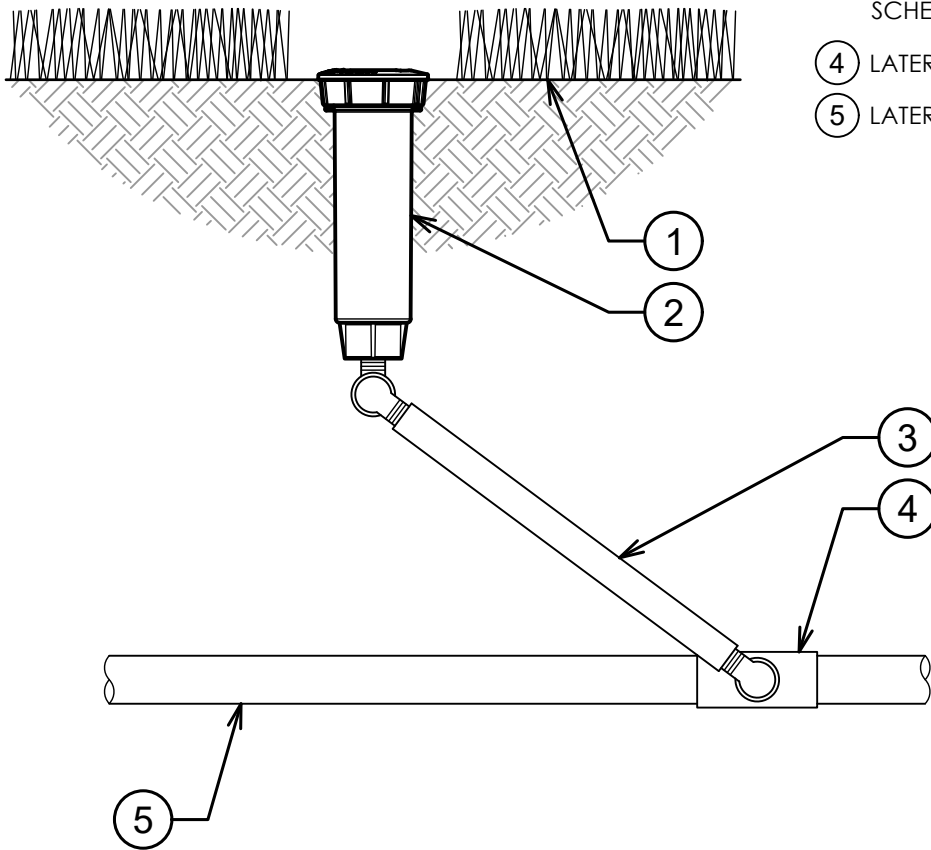


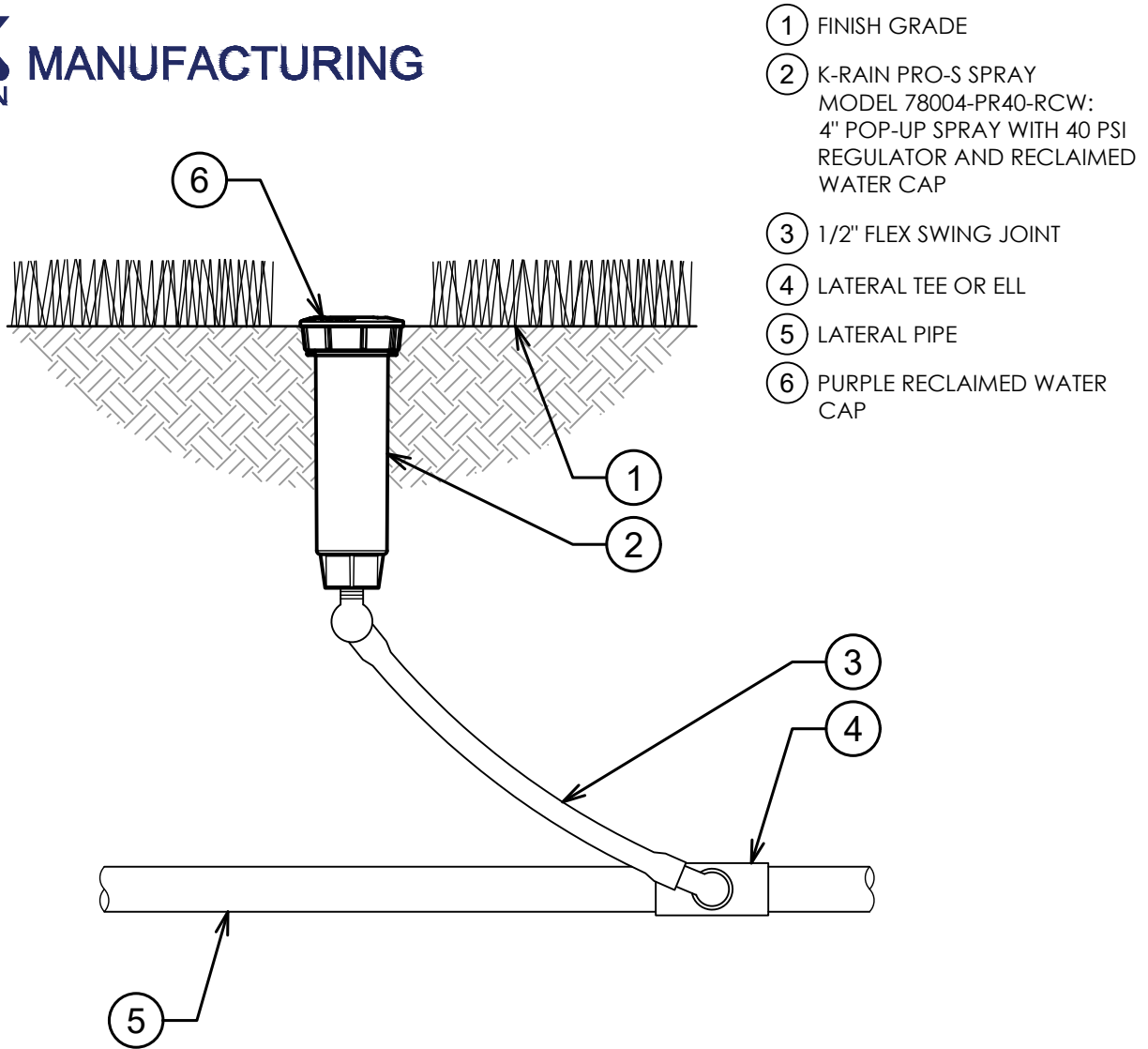
- ① FINISH GRADE
- ② K-RAIN PRO-S SPRAY  
MODEL 78004-PR30-RCW:  
4" POP-UP SPRAY WITH 30 PSI  
REGULATOR AND RECLAIMED  
WATER CAP
- ③ 1/2" RIGID SWING JOINT:  
SCHEDULE 80 NIPPLE,  
SCHEDULE 40 STREET ELLS
- ④ LATERAL TEE OR ELL
- ⑤ LATERAL PIPE
- ⑥ PURPLE RECLAIMED WATER  
CAP

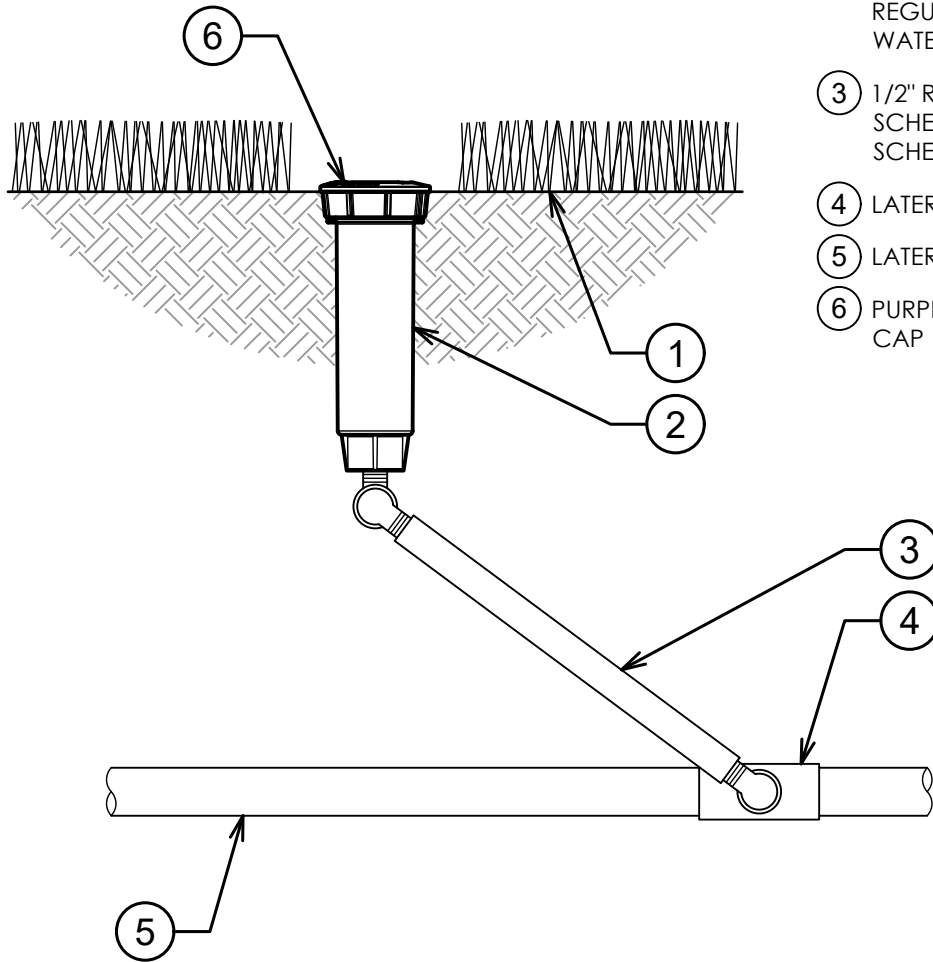
- ① FINISH GRADE
- ② K-RAIN PRO-S SPRAY  
MODEL 78004-PR40:  
4" POP-UP SPRAY WITH 40 PSI  
REGULATOR
- ③ 1/2" FLEX SWING JOINT
- ④ LATERAL TEE OR ELL
- ⑤ LATERAL PIPE



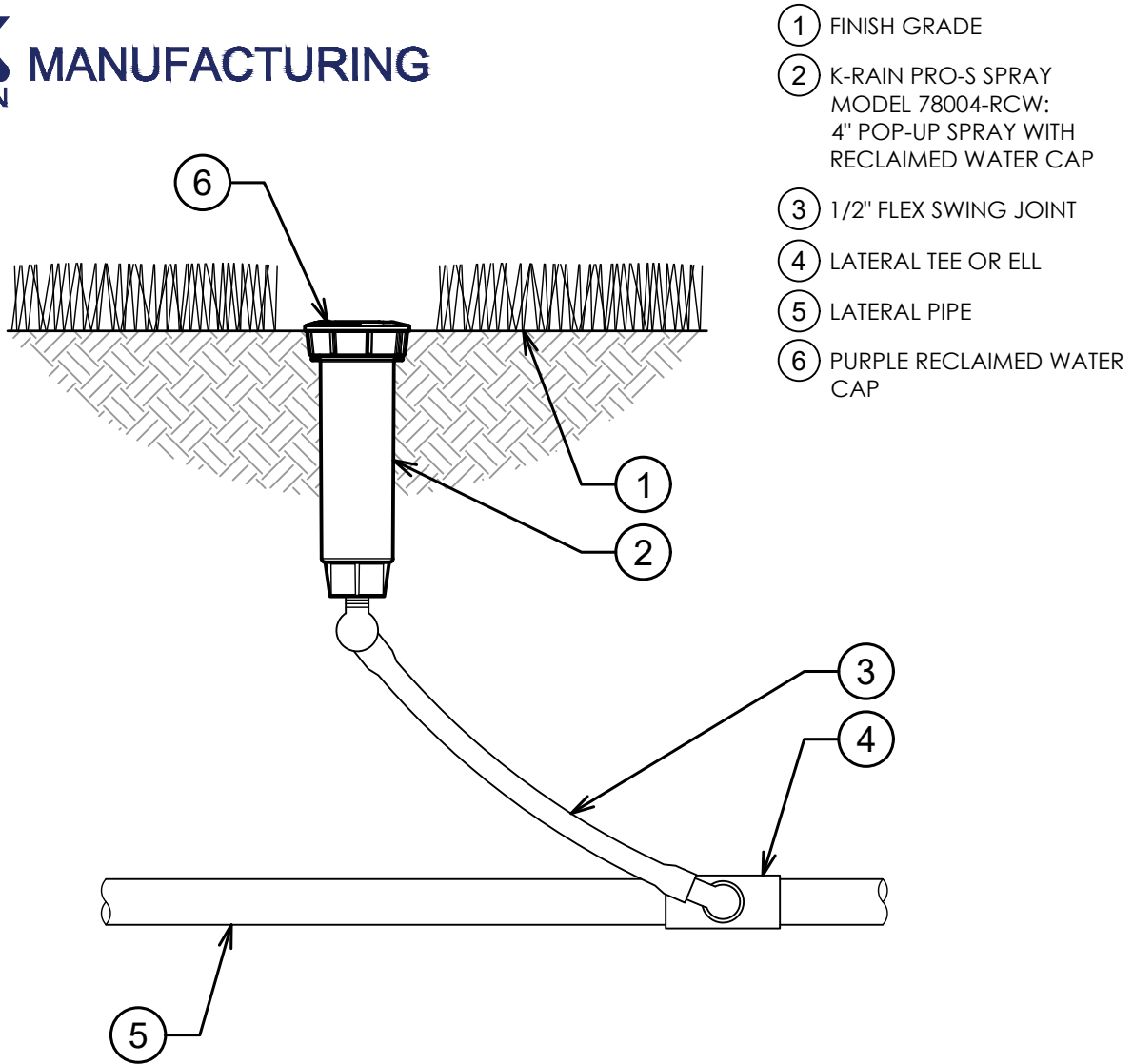
- ① FINISH GRADE
- ② K-RAIN PRO-S SPRAY  
MODEL 78004-PR40:  
4" POP-UP SPRAY WITH 40 PSI  
REGULATOR
- ③ 1/2" RIGID SWING JOINT:  
SCHEDULE 80 NIPPLE,  
SCHEDULE 40 STREET ELLS
- ④ LATERAL TEE OR ELL
- ⑤ LATERAL PIPE







- ① FINISH GRADE
- ② K-RAIN PRO-S SPRAY  
MODEL 78004-PR40-RCW:  
4" POP-UP SPRAY WITH 40 PSI  
REGULATOR AND RECLAIMED  
WATER CAP
- ③ 1/2" RIGID SWING JOINT:  
SCHEDULE 80 NIPPLE,  
SCHEDULE 40 STREET ELLS
- ④ LATERAL TEE OR ELL
- ⑤ LATERAL PIPE
- ⑥ PURPLE RECLAIMED WATER  
CAP



- ① FINISH GRADE
- ② K-RAIN PRO-S SPRAY  
MODEL 78004-RCW:  
4" POP-UP SPRAY WITH  
RECLAIMED WATER CAP
- ③ 1/2" FLEX SWING JOINT
- ④ LATERAL TEE OR ELL
- ⑤ LATERAL PIPE
- ⑥ PURPLE RECLAIMED WATER  
CAP



**K-RAIN PRO-S SPRAY WITH 4" POP-UP**

3" = 1'-0"

