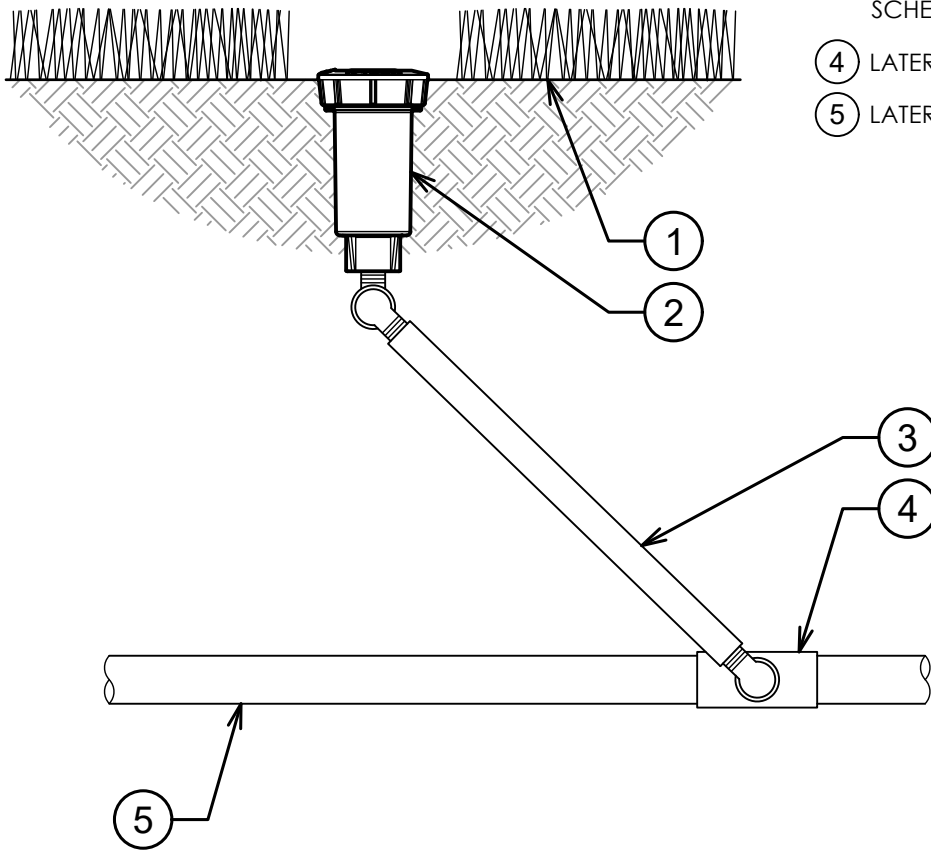


- ① FINISH GRADE
- ② K-RAIN PRO-S SPRAY  
MODEL 78002-CV:  
2" POP-UP SPRAY WITH CHECK  
VALVE
- ③ 1/2" RIGID SWING JOINT:  
SCHEDULE 80 NIPPLE,  
SCHEDULE 40 STREET ELLS
- ④ LATERAL TEE OR ELL
- ⑤ LATERAL PIPE



**K-RAIN PRO-S SPRAY WITH 2" POP-UP**

3" = 1'-0"