

## INSTALLATION INSTRUCTIONS

---

### SPECIFICATIONS

- Standard solenoid: 24 VAC
- Pressure range: 6-200 psi
- Voltage: 24 VAC, 60 Cycle, .43 Amps Inrush, .25 Amps Holding

### BEFORE INSTALLATION

1. Flush system thoroughly before installing valves.
2. Make sure you have sufficient water supply, pressure & flow.

### INSTALLING VALVE WITH ADAPTERS

1. Wrap adapters with 2 or 3 complete wraps of Teflon tape around threads.
2. Hand tighten adapters into valve.
3. Carefully tighten the adapters one additional turn past hand tight.
4. Do not use flow control handle as a lever.

### CAUTION: DO NOT OVER-TIGHTEN ADAPTERS!

### OPERATING VALVE MANUALLY

1. Turn solenoid on/off handle 180 degrees counter-clockwise to open valve.
2. Turn solenoid on/off handle 180 degrees clockwise to close valve.
3. Solenoid on/off handle must be fully closed for proper valve operation.



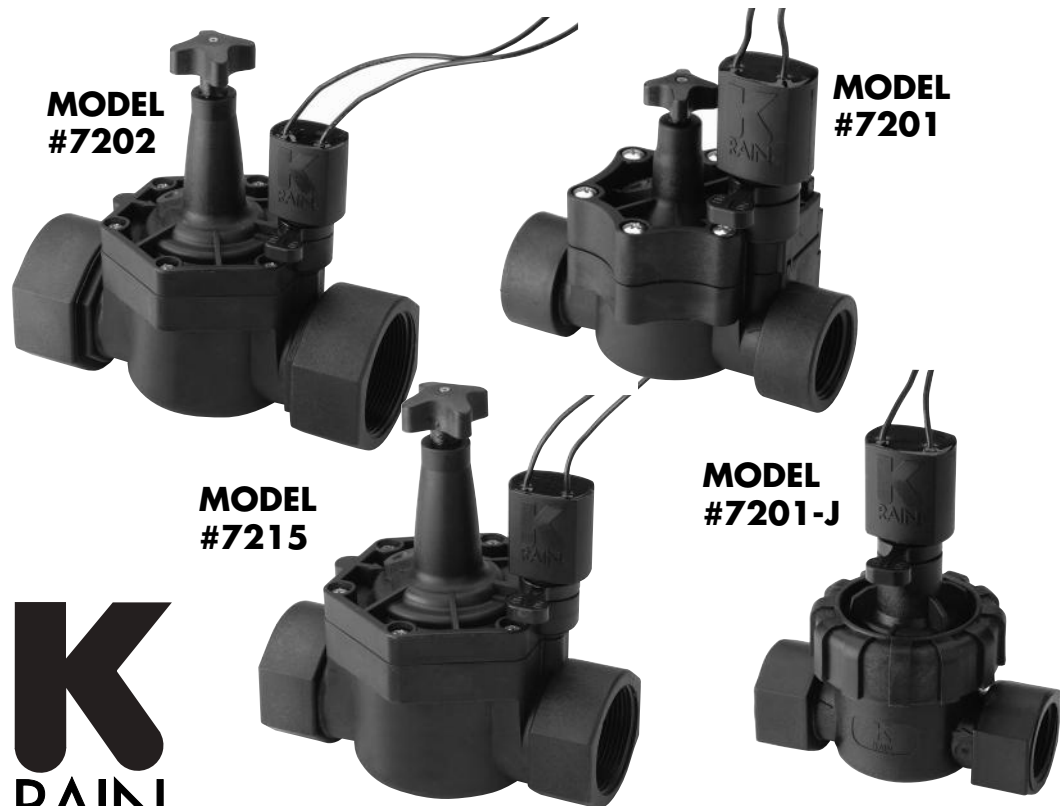
#### K-RAIN MANUFACTURING CORP.

1640 Australian Avenue  
Riviera Beach, FL 33404 USA  
PH: 1-561-844-1002 / 1-800-735-7246  
FAX: 1-561-842-9493  
www.krain.com

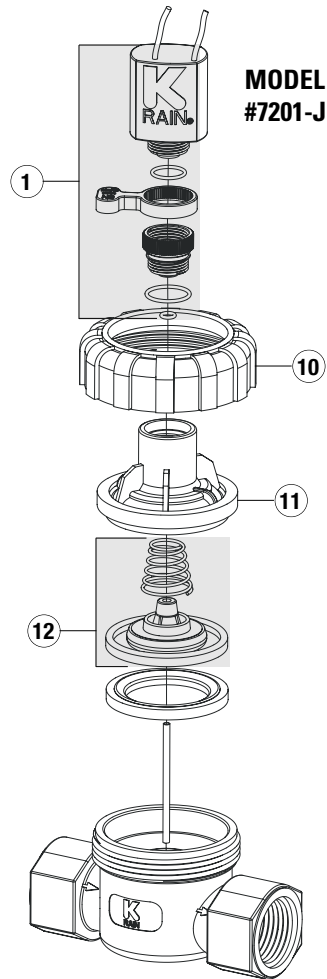
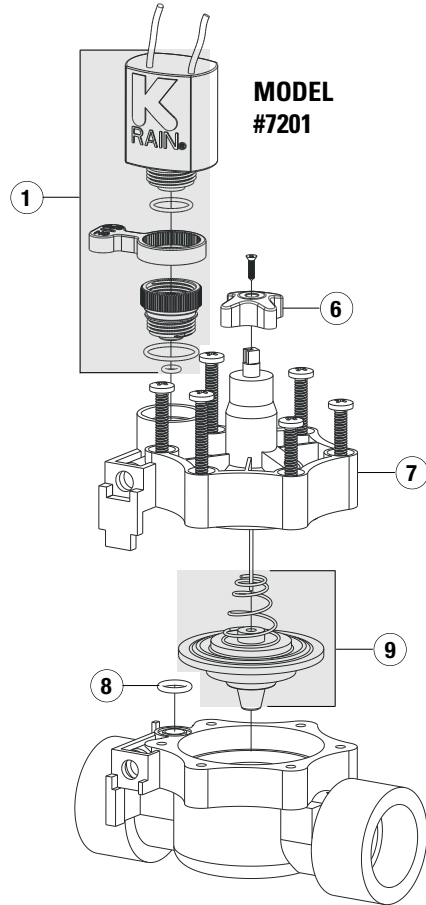
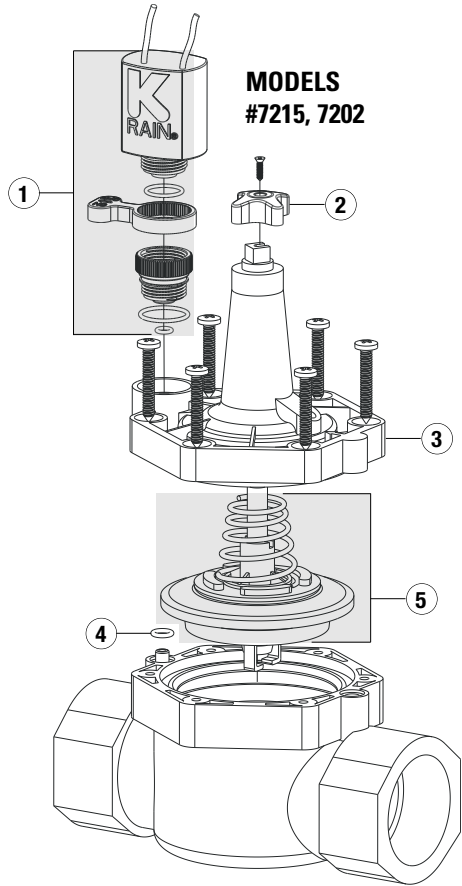
© K-RAIN Manufacturing Corp.  
Part Number: 30006101 Rev 13

# Pro Series 200™ ELECTRIC VALVES

---



# PROSERIES 200 ELECTRIC VALVE PARTS LIST



## PRODUCT FEATURES:

- Durable glass-filled nylon construction and reinforced rubber diaphragm ensures long life and reliable performance.
- Turn solenoid on/off handle for operation with no power.
- Flow control to adjust water flow as needed (#7201, 7215, 7202).
- Large internal openings and self-cleaning diaphragm during every cycle reduces maintenance time.
- Top flow indicator ensures proper installation every time.
- Electric or Manual operation.

	<b>MODEL NO.</b>	<b>DESCRIPTION</b>
1	<b>P3008113-200</b>	Solenoid w/Adapter Assembly
2	<b>P0370210</b>	Flow control Handle w/Screws
3	<b>P0370211</b>	Valve Bonnet (top) w/Screws (7215, 7202)
4	<b>P0370212</b>	O-ring (7215, 7202)
5	<b>P0370230</b>	Diaphragm Assembly w/Spring (7215, 7202)
6	<b>P0370110</b>	Flow control Handle w/Screws (7201)
7	<b>P0370111</b>	Valve Bonnet (top) w/Screws (7201)
8	<b>P0370112</b>	O-ring (7201)
9	<b>P0370130</b>	Diaphragm Assembly w/Spring (7201)
10	<b>P0370214</b>	Twist Cap (7201-J)
11	<b>P0370215</b>	Valve Bonnet (top) (7201-J)
12	<b>P0370131</b>	Diaphragm Assembly w/Spring (7201-J)