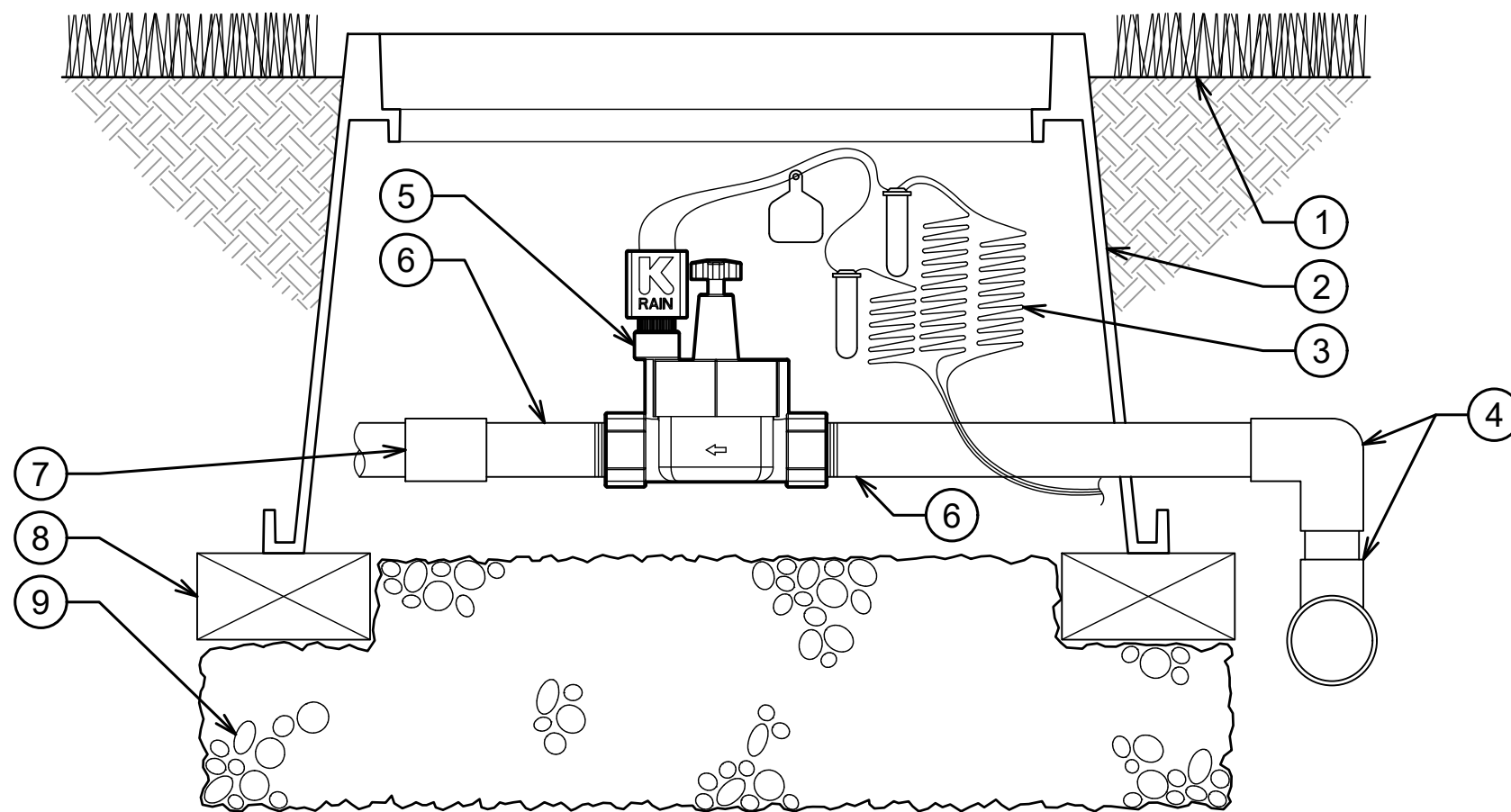
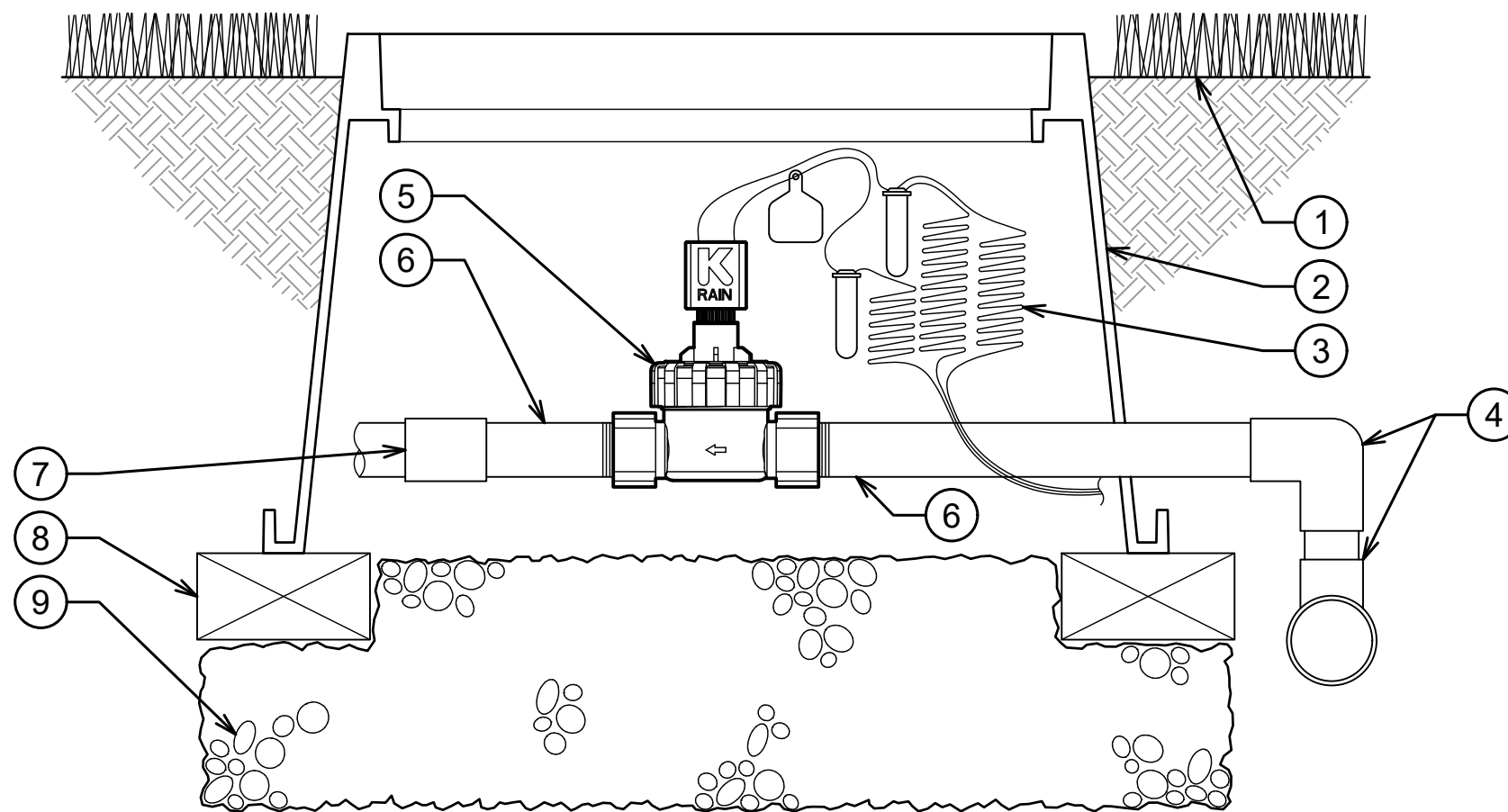


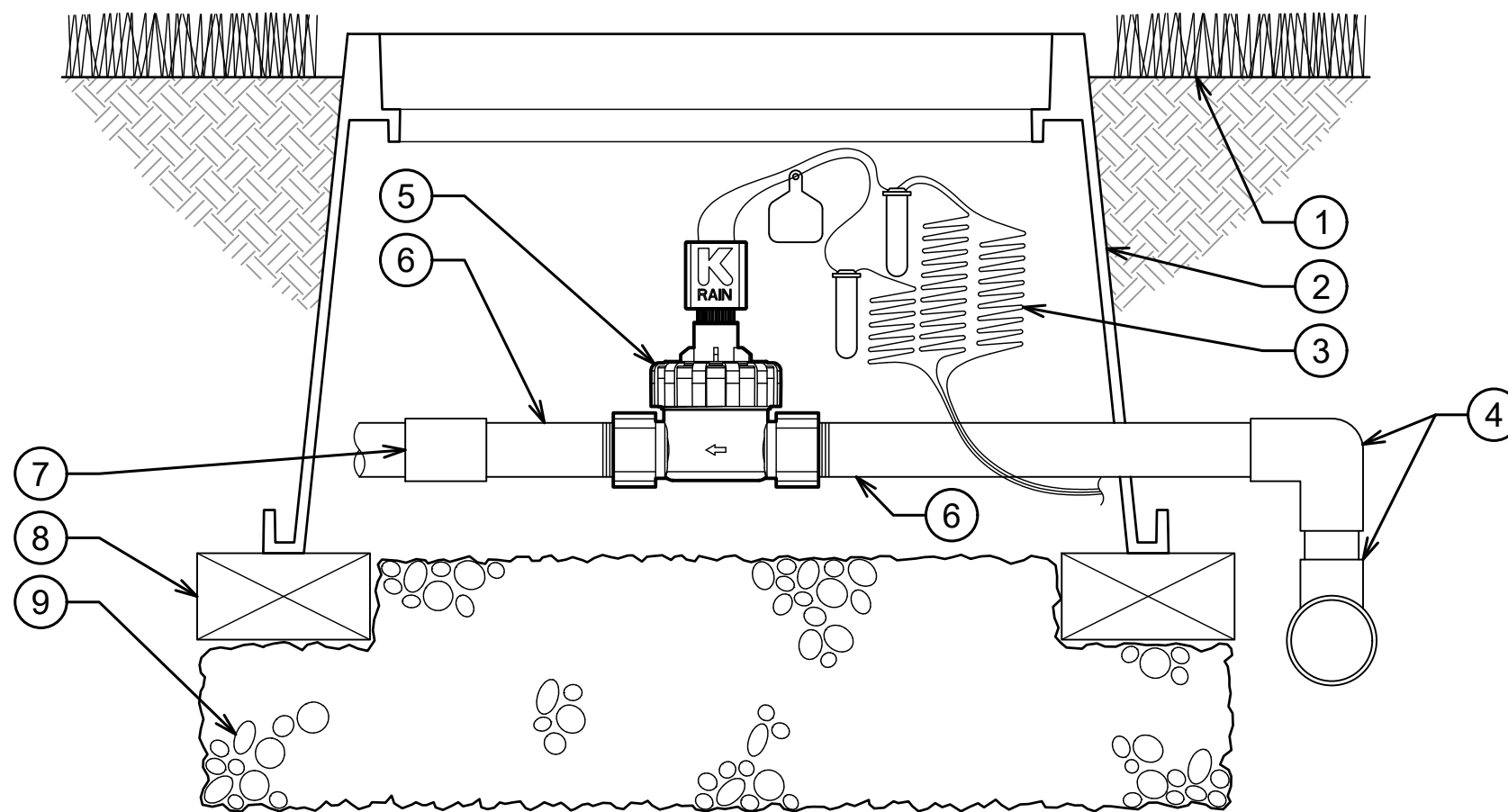
- ① FINISH GRADE
- ② STANDARD VALVE BOX
- ③ 18-24 INCH LINEAR LENGTH OF CONTROL WIRE WITH WATERPROOF CONNECTORS AND ZONE ID TAG
- ④ IRRIGATION MAINLINE AND FITTINGS PER SPECIFICATIONS
- ⑤ K-RAIN PROSERIES 200 VALVE MODEL 7201: REMOTE CONTROL VALVE WITH 1" FEMALE THREAD FITTING, GLASS FILLED NYLON CONSTRUCTION, FLOW CONTROL, AND SELF-CLEANING DIAPHRAGM
- ⑥ PVC SCHEDULE 80 T.O.E. NIPPLE
- ⑦ LATERAL PIPE WITH PVC SCHEDULE 40 ADAPTER
- ⑧ BRICK SUPPORTS (4)
- ⑨ 6" DEPTH OF 3/4" WASHED GRAVEL



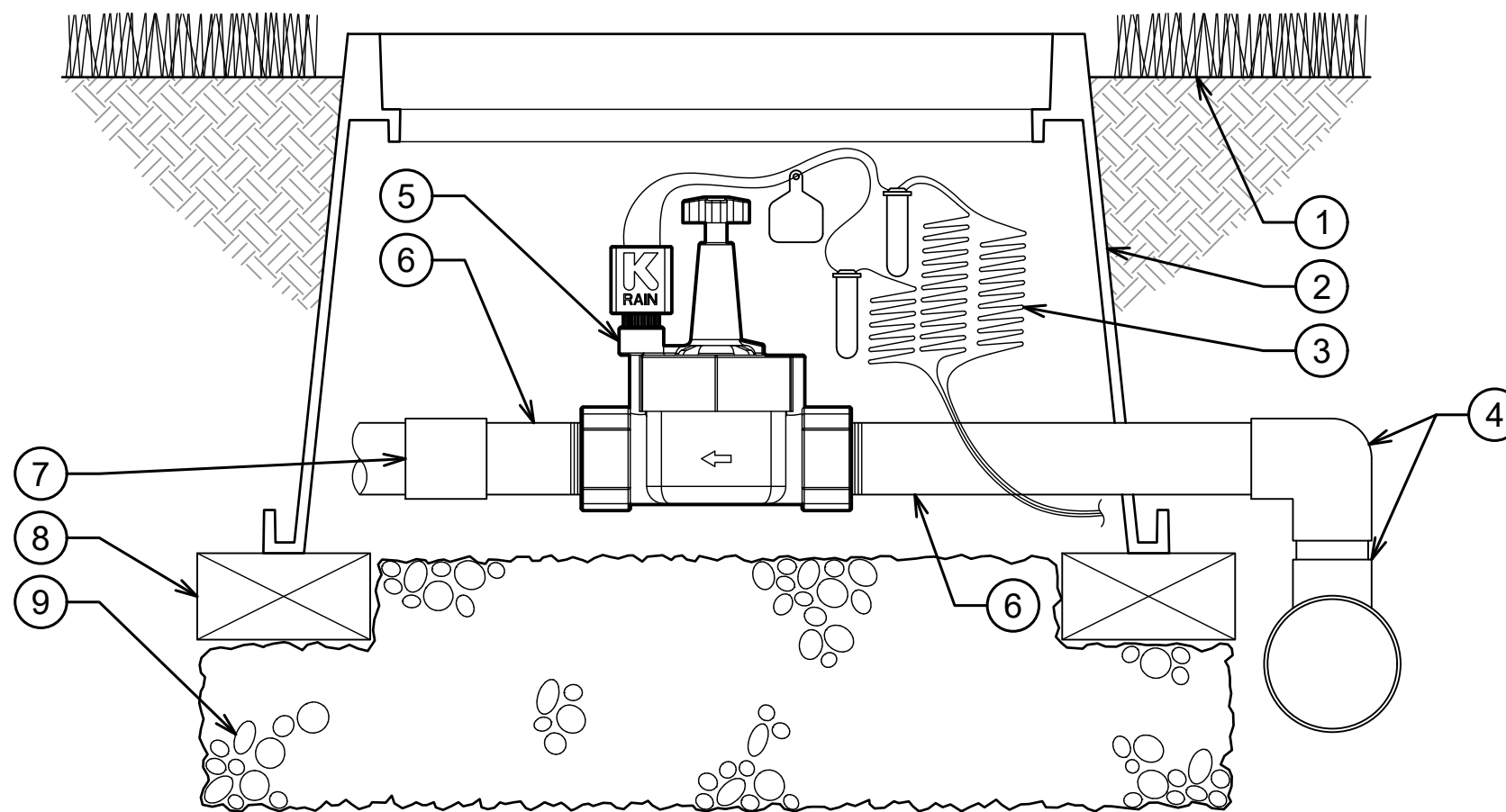
- ① FINISH GRADE
- ② STANDARD VALVE BOX
- ③ 18-24 INCH LINEAR LENGTH OF CONTROL WIRE WITH WATERPROOF CONNECTORS AND ZONE ID TAG
- ④ IRRIGATION MAINLINE AND FITTINGS PER SPECIFICATIONS
- ⑤ K-RAIN PROSERIES 200 VALVE MODEL 7201-BSP: REMOTE CONTROL VALVE WITH 1" FEMALE BSP THREAD FITTING, GLASS FILLED NYLON CONSTRUCTION, FLOW CONTROL, AND SELF-CLEANING DIAPHRAGM
- ⑥ PVC SCHEDULE 80 T.O.E. NIPPLE
- ⑦ LATERAL PIPE WITH PVC SCHEDULE 40 ADAPTER
- ⑧ BRICK SUPPORTS (4)
- ⑨ 6" DEPTH OF 3/4" WASHED GRAVEL



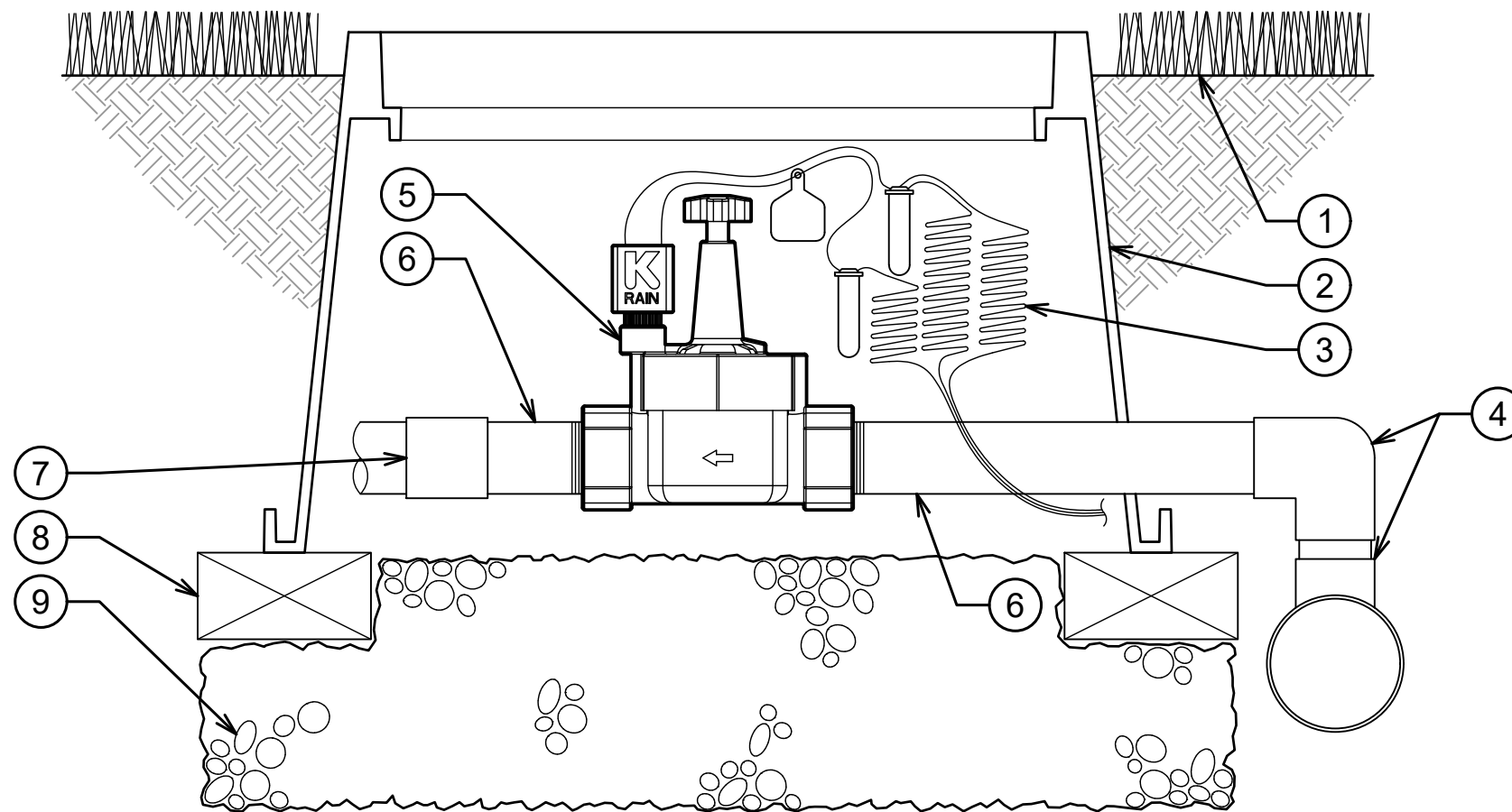
- ① FINISH GRADE
- ② STANDARD VALVE BOX
- ③ 18-24 INCH LINEAR LENGTH OF CONTROL WIRE WITH WATERPROOF CONNECTORS AND ZONE ID TAG
- ④ IRRIGATION MAINLINE AND FITTINGS PER SPECIFICATIONS
- ⑤ K-RAIN PROSERIES 200 VALVE MODEL 7201-J: REMOTE CONTROL JAR-TOP VALVE WITH 1" FEMALE THREAD FITTING, GLASS FILLED NYLON CONSTRUCTION, AND SELF-CLEANING DIAPHRAGM
- ⑥ PVC SCHEDULE 80 T.O.E. NIPPLE
- ⑦ LATERAL PIPE WITH PVC SCHEDULE 40 ADAPTER
- ⑧ BRICK SUPPORTS (4)
- ⑨ 6" DEPTH OF 3/4" WASHED GRAVEL



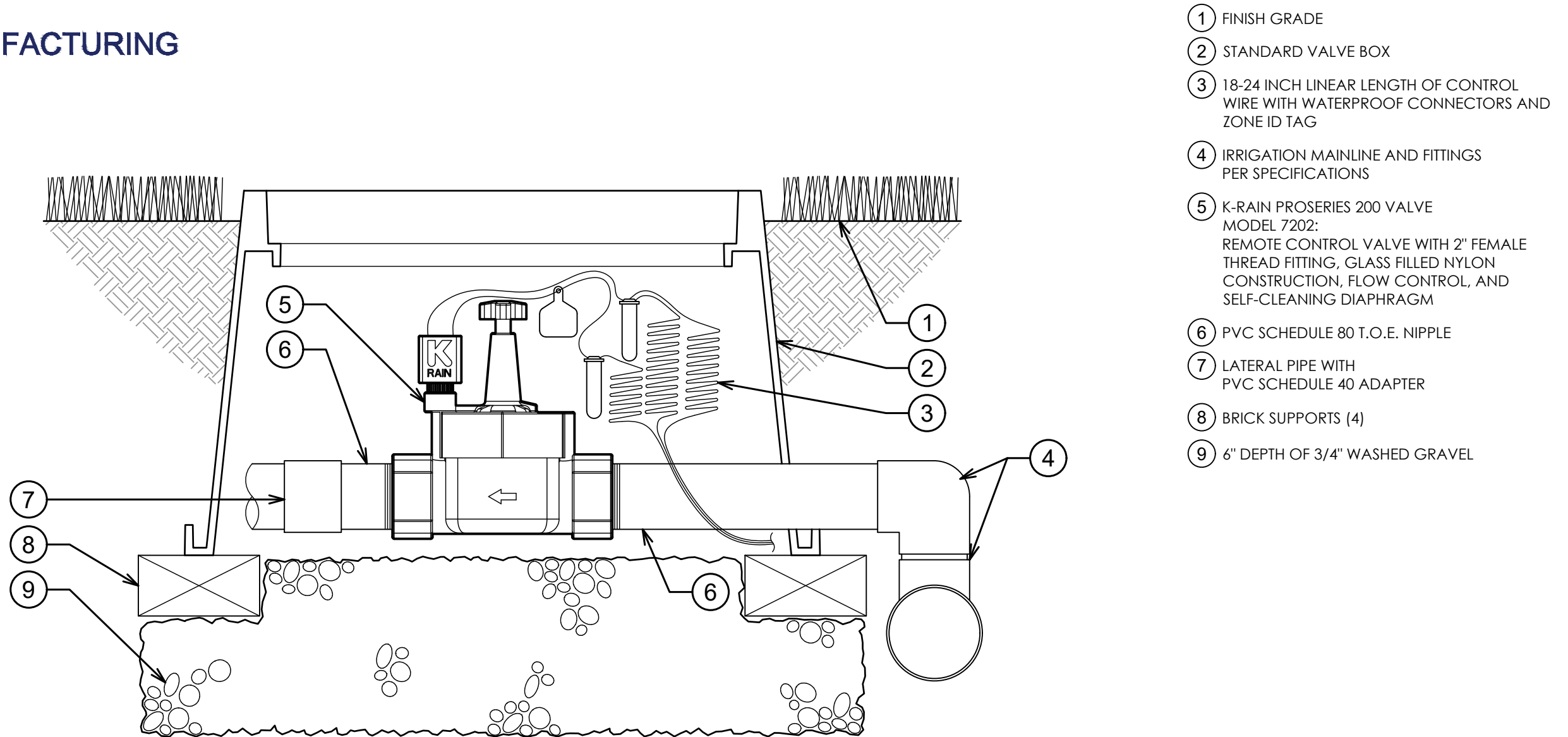
- ① FINISH GRADE
- ② STANDARD VALVE BOX
- ③ 18-24 INCH LINEAR LENGTH OF CONTROL WIRE WITH WATERPROOF CONNECTORS AND ZONE ID TAG
- ④ IRRIGATION MAINLINE AND FITTINGS PER SPECIFICATIONS
- ⑤ K-RAIN PROSERIES 200 VALVE MODEL 7201-J-BSP: REMOTE CONTROL JAR-TOP VALVE WITH 1" FEMALE BSP THREAD FITTING, GLASS FILLED NYLON CONSTRUCTION, AND SELF-CLEANING DIAPHRAGM
- ⑥ PVC SCHEDULE 80 T.O.E. NIPPLE
- ⑦ LATERAL PIPE WITH PVC SCHEDULE 40 ADAPTER
- ⑧ BRICK SUPPORTS (4)
- ⑨ 6" DEPTH OF 3/4" WASHED GRAVEL



- ① FINISH GRADE
- ② STANDARD VALVE BOX
- ③ 18-24 INCH LINEAR LENGTH OF CONTROL WIRE WITH WATERPROOF CONNECTORS AND ZONE ID TAG
- ④ IRRIGATION MAINLINE AND FITTINGS PER SPECIFICATIONS
- ⑤ K-RAIN PROSERIES 200 VALVE MODEL 7215: REMOTE CONTROL VALVE WITH 1-1/2" FEMALE THREAD FITTING, GLASS FILLED NYLON CONSTRUCTION, FLOW CONTROL, AND SELF-CLEANING DIAPHRAGM
- ⑥ PVC SCHEDULE 80 T.O.E. NIPPLE
- ⑦ LATERAL PIPE WITH PVC SCHEDULE 40 ADAPTER
- ⑧ BRICK SUPPORTS (4)
- ⑨ 6" DEPTH OF 3/4" WASHED GRAVEL



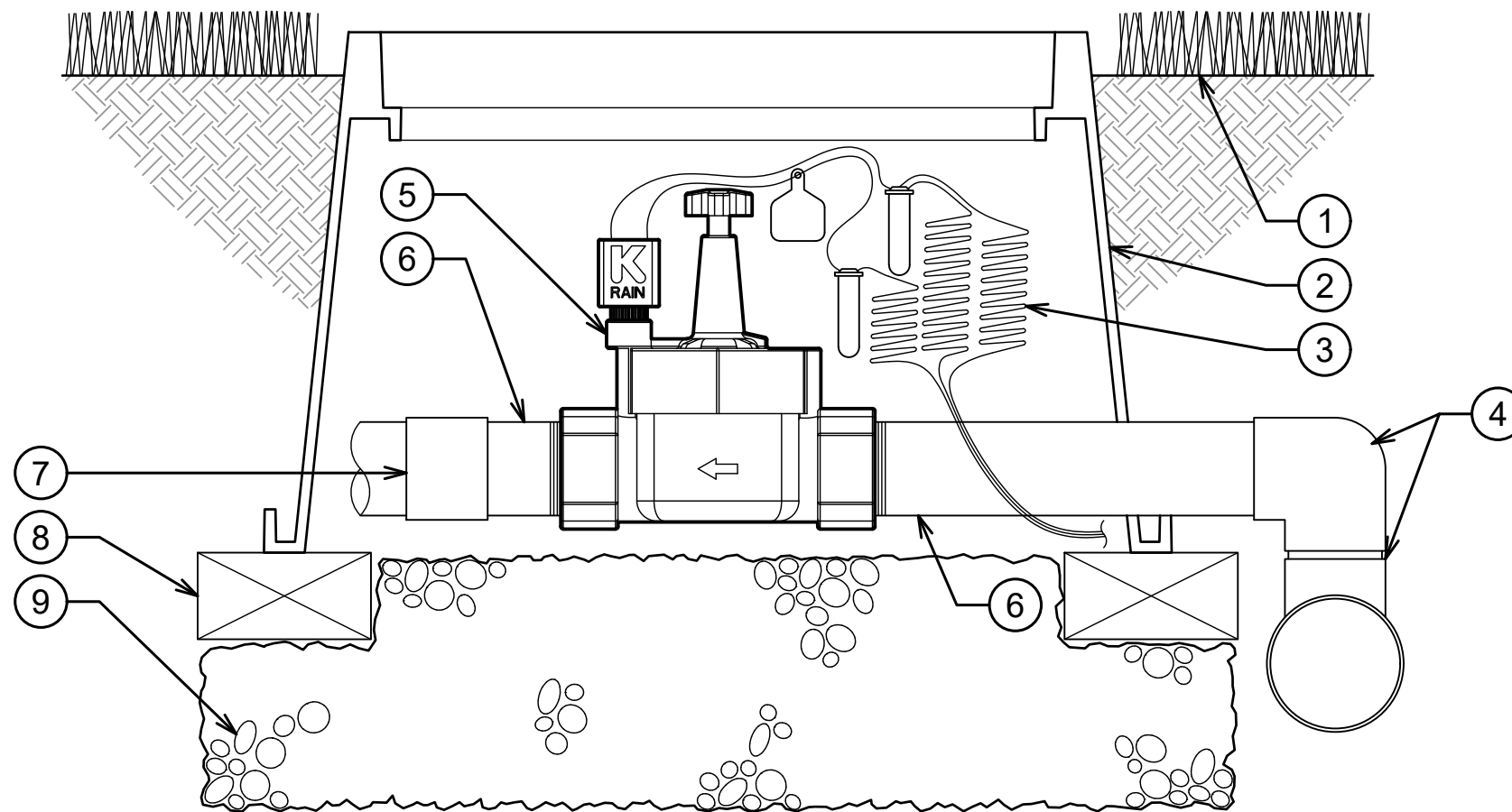
- ① FINISH GRADE
- ② STANDARD VALVE BOX
- ③ 18-24 INCH LINEAR LENGTH OF CONTROL WIRE WITH WATERPROOF CONNECTORS AND ZONE ID TAG
- ④ IRRIGATION MAINLINE AND FITTINGS PER SPECIFICATIONS
- ⑤ K-RAIN PROSERIES 200 VALVE MODEL 7215-BSP: REMOTE CONTROL VALVE WITH 1-1/2" FEMALE BSP THREAD FITTING, GLASS FILLED NYLON CONSTRUCTION, FLOW CONTROL, AND SELF-CLEANING DIAPHRAGM
- ⑥ PVC SCHEDULE 80 T.O.E. NIPPLE
- ⑦ LATERAL PIPE WITH PVC SCHEDULE 40 ADAPTER
- ⑧ BRICK SUPPORTS (4)
- ⑨ 6" DEPTH OF 3/4" WASHED GRAVEL



- ① FINISH GRADE
- ② STANDARD VALVE BOX
- ③ 18-24 INCH LINEAR LENGTH OF CONTROL WIRE WITH WATERPROOF CONNECTORS AND ZONE ID TAG
- ④ IRRIGATION MAINLINE AND FITTINGS PER SPECIFICATIONS
- ⑤ K-RAIN PROSERIES 200 VALVE MODEL 7202: REMOTE CONTROL VALVE WITH 2" FEMALE THREAD FITTING, GLASS FILLED NYLON CONSTRUCTION, FLOW CONTROL, AND SELF-CLEANING DIAPHRAGM
- ⑥ PVC SCHEDULE 80 T.O.E. NIPPLE
- ⑦ LATERAL PIPE WITH PVC SCHEDULE 40 ADAPTER
- ⑧ BRICK SUPPORTS (4)
- ⑨ 6" DEPTH OF 3/4" WASHED GRAVEL

00 K-RAIN PROSERIES 200: 2" REMOTE CONTROL VALVE

3" = 1'-0"



- ① FINISH GRADE
- ② STANDARD VALVE BOX
- ③ 18-24 INCH LINEAR LENGTH OF CONTROL WIRE WITH WATERPROOF CONNECTORS AND ZONE ID TAG
- ④ IRRIGATION MAINLINE AND FITTINGS PER SPECIFICATIONS
- ⑤ K-RAIN PROSERIES 200 VALVE MODEL 7202-BSP: REMOTE CONTROL VALVE WITH 2" FEMALE BSP THREAD FITTING, GLASS FILLED NYLON CONSTRUCTION, FLOW CONTROL, AND SELF-CLEANING DIAPHRAGM
- ⑥ PVC SCHEDULE 80 T.O.E. NIPPLE
- ⑦ LATERAL PIPE WITH PVC SCHEDULE 40 ADAPTER
- ⑧ BRICK SUPPORTS (4)
- ⑨ 6" DEPTH OF 3/4" WASHED GRAVEL