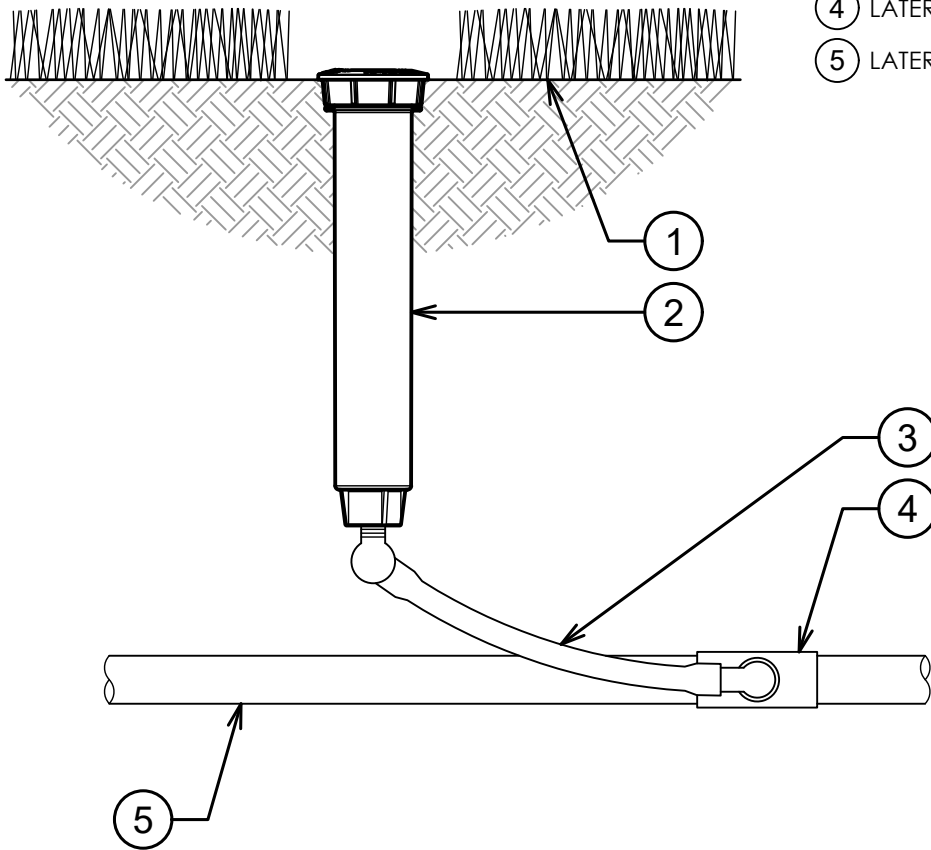


- ① FINISH GRADE
- ② K-RAIN PRO-S SPRAY
MODEL 78006-CV-NSI:
6" POP-UP SPRAY WITH CHECK
VALVE, NO SIDE INLET OPTION
- ③ 1/2" FLEX SWING JOINT
- ④ LATERAL TEE OR ELL
- ⑤ LATERAL PIPE

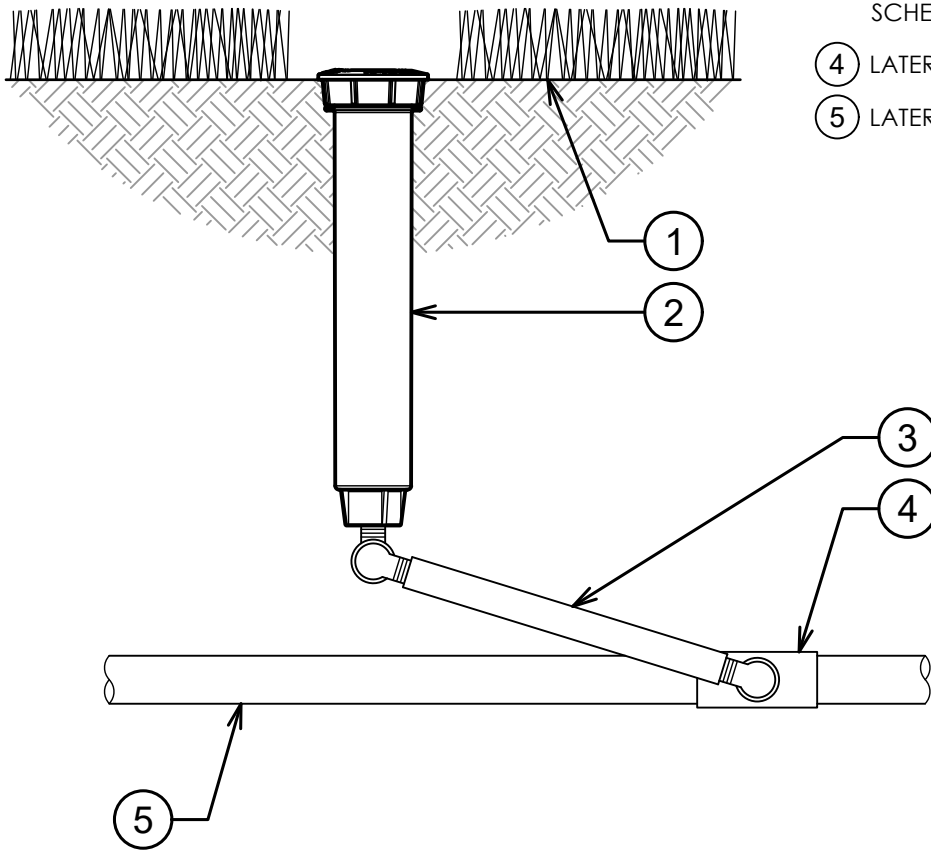


00

K-RAIN PRO-S SPRAY WITH 6" POP-UP

3" = 1'-0"

- ① FINISH GRADE
- ② K-RAIN PRO-S SPRAY
MODEL 78006-CV-NSI:
6" POP-UP SPRAY WITH CHECK
VALVE, NO SIDE INLET OPTION
- ③ 1/2" RIGID SWING JOINT:
SCHEDULE 80 NIPPLE,
SCHEDULE 40 STREET ELLS
- ④ LATERAL TEE OR ELL
- ⑤ LATERAL PIPE

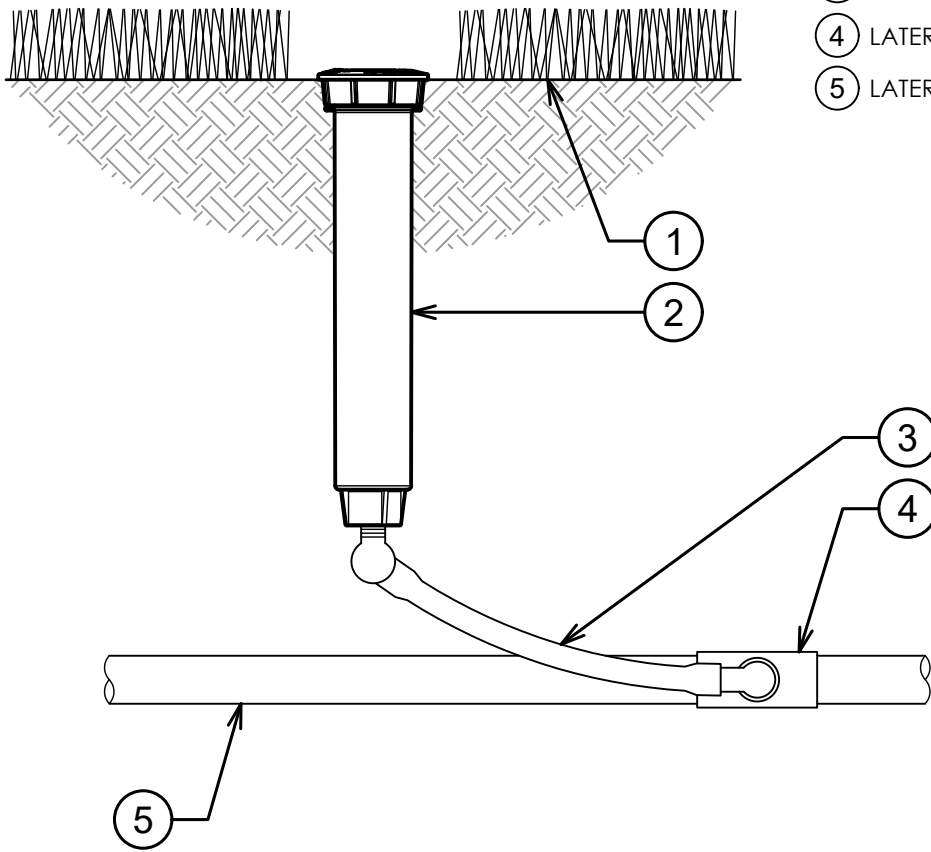


00

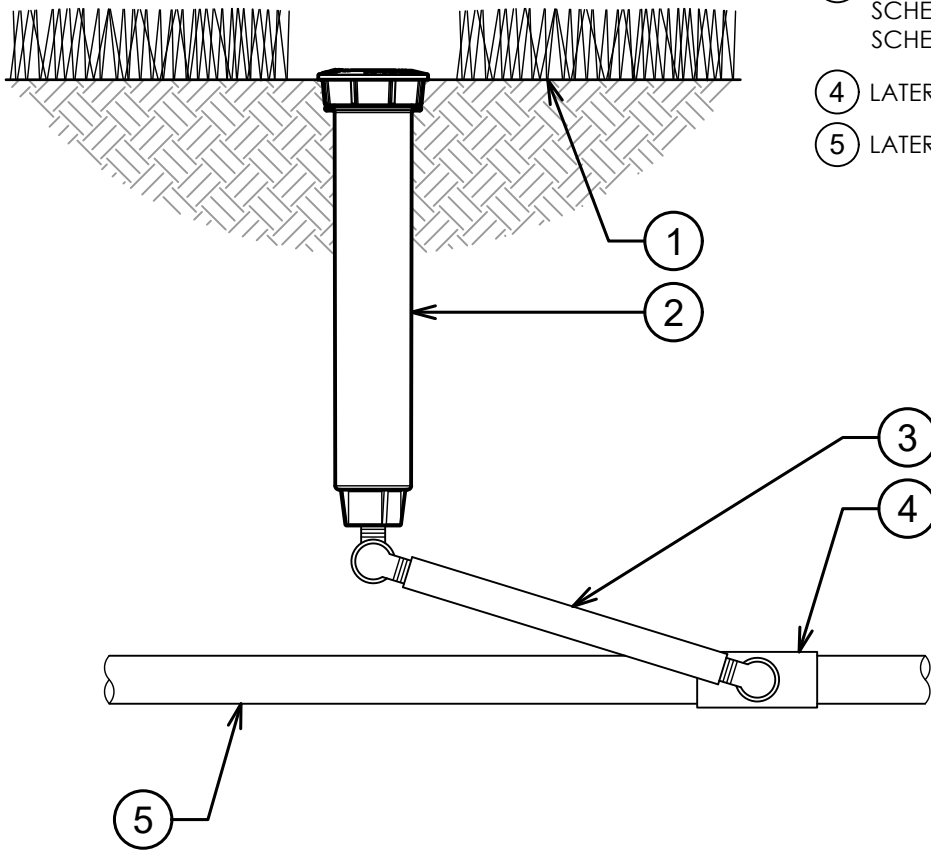
K-RAIN PRO-S SPRAY WITH 6" POP-UP

3" = 1'-0"

- ① FINISH GRADE
- ② K-RAIN PRO-S SPRAY
MODEL 78006-CV-PR30-NSI:
6" POP-UP SPRAY WITH CHECK
VALVE AND 30 PSI REGULATOR,
NO SIDE INLET OPTION
- ③ 1/2" FLEX SWING JOINT
- ④ LATERAL TEE OR ELL
- ⑤ LATERAL PIPE



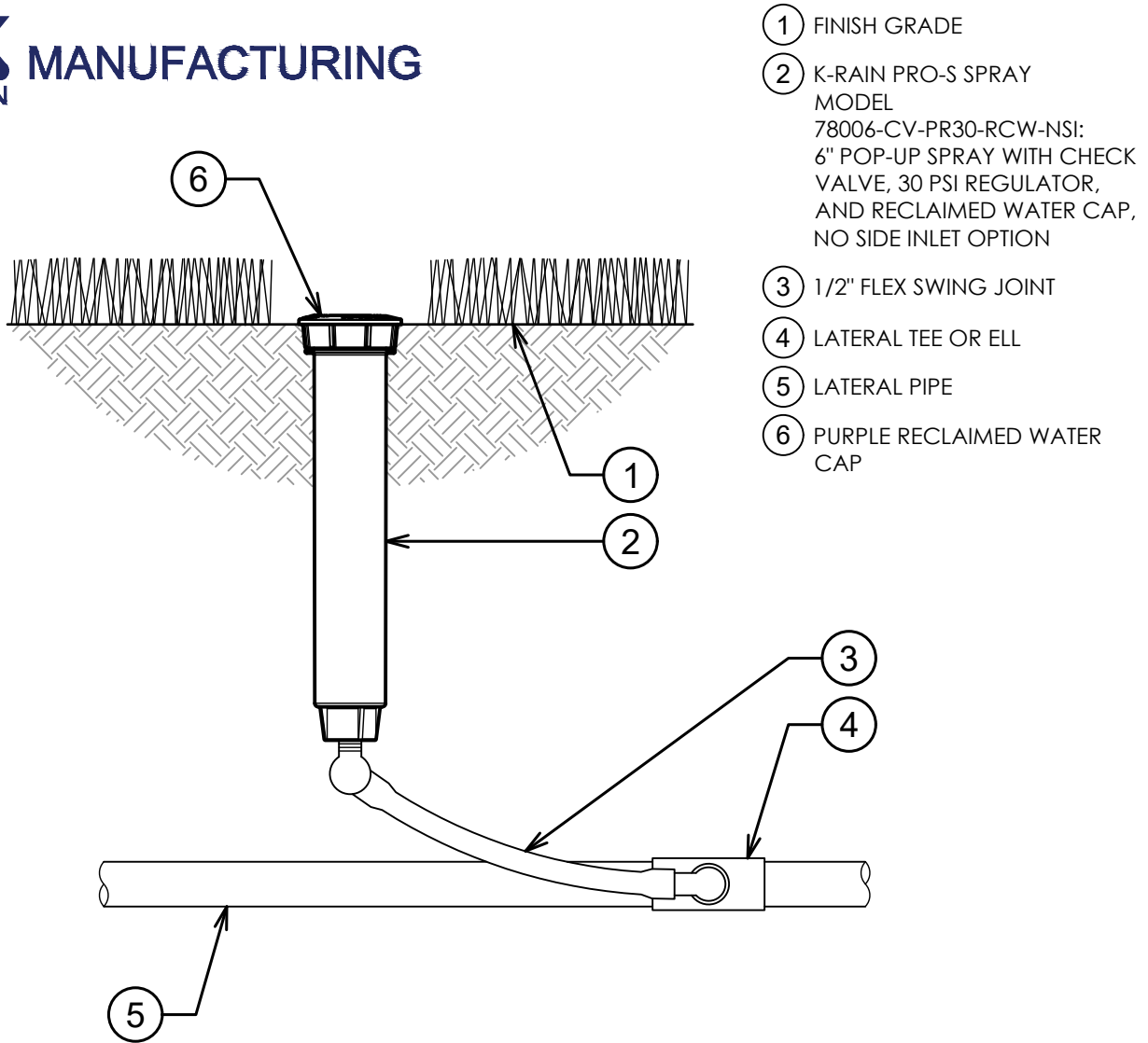
- ① FINISH GRADE
- ② K-RAIN PRO-S SPRAY
MODEL 78006-CV-PR30-NSI:
6" POP-UP SPRAY WITH CHECK
VALVE AND 30 PSI REGULATOR,
NO SIDE INLET OPTION
- ③ 1/2" RIGID SWING JOINT:
SCHEDULE 80 NIPPLE,
SCHEDULE 40 STREET ELLS
- ④ LATERAL TEE OR ELL
- ⑤ LATERAL PIPE

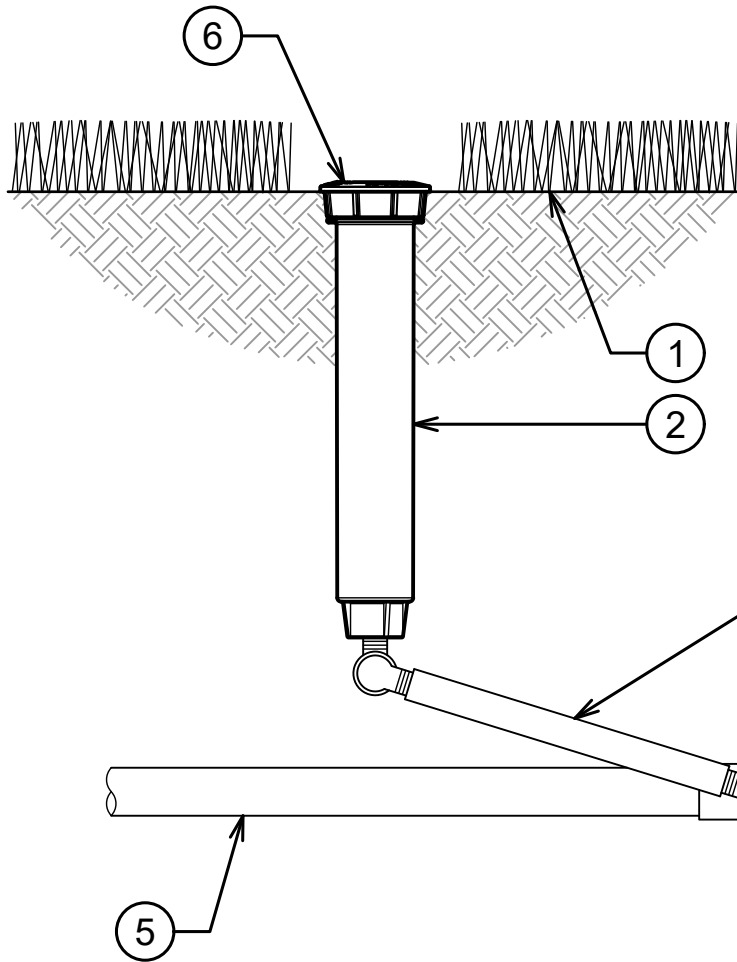


00

K-RAIN PRO-S SPRAY WITH 6" POP-UP

3" = 1'-0"





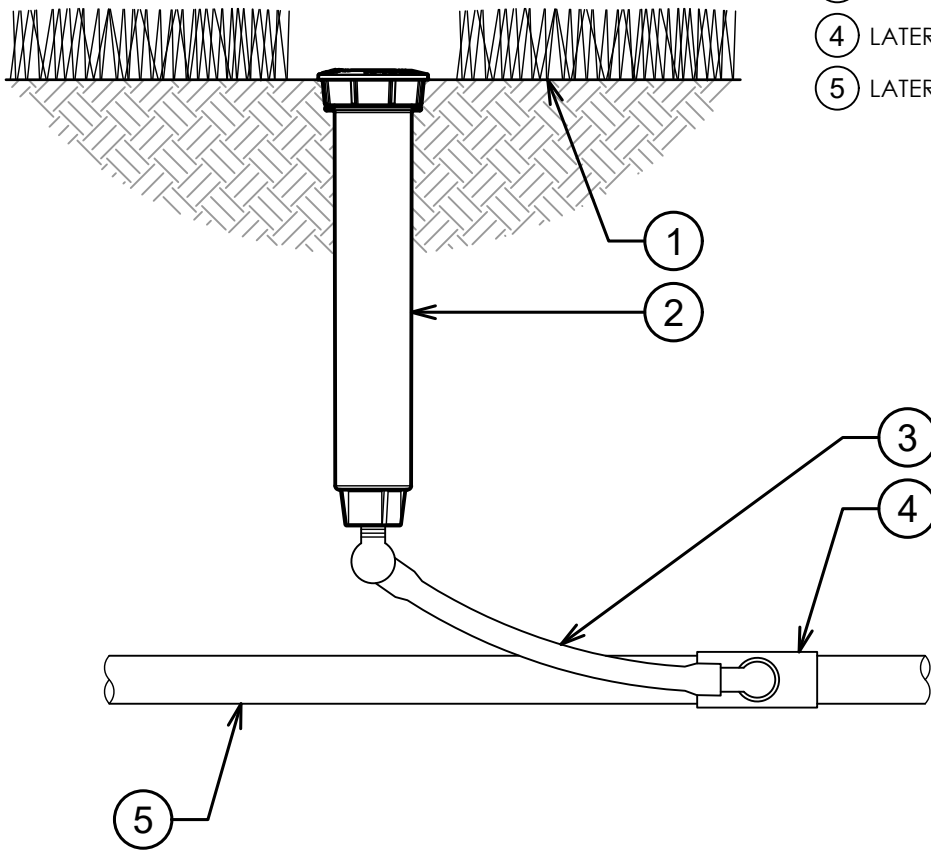
- ① FINISH GRADE
- ② K-RAIN PRO-S SPRAY MODEL 78006-CV-PR30-RCW-NSI: 6" POP-UP SPRAY WITH CHECK VALVE, 30 PSI REGULATOR, AND RECLAIMED WATER CAP, NO SIDE INLET OPTION
- ③ 1/2" RIGID SWING JOINT: SCHEDULE 80 NIPPLE, SCHEDULE 40 STREET ELLS
- ④ LATERAL TEE OR ELL
- ⑤ LATERAL PIPE
- ⑥ PURPLE RECLAIMED WATER CAP



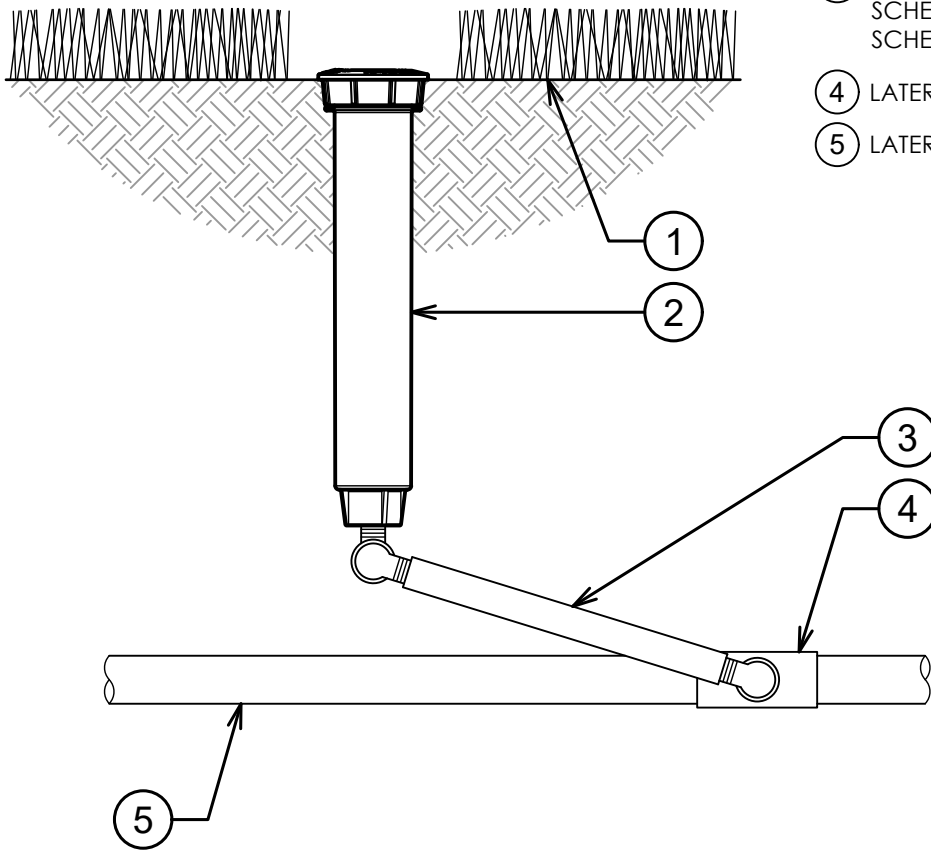
K-RAIN PRO-S SPRAY WITH 6" POP-UP

3" = 1'-0"

- ① FINISH GRADE
- ② K-RAIN PRO-S SPRAY
MODEL 78006-CV-PR40-NSI:
6" POP-UP SPRAY WITH CHECK
VALVE AND 40 PSI REGULATOR,
NO SIDE INLET OPTION
- ③ 1/2" FLEX SWING JOINT
- ④ LATERAL TEE OR ELL
- ⑤ LATERAL PIPE

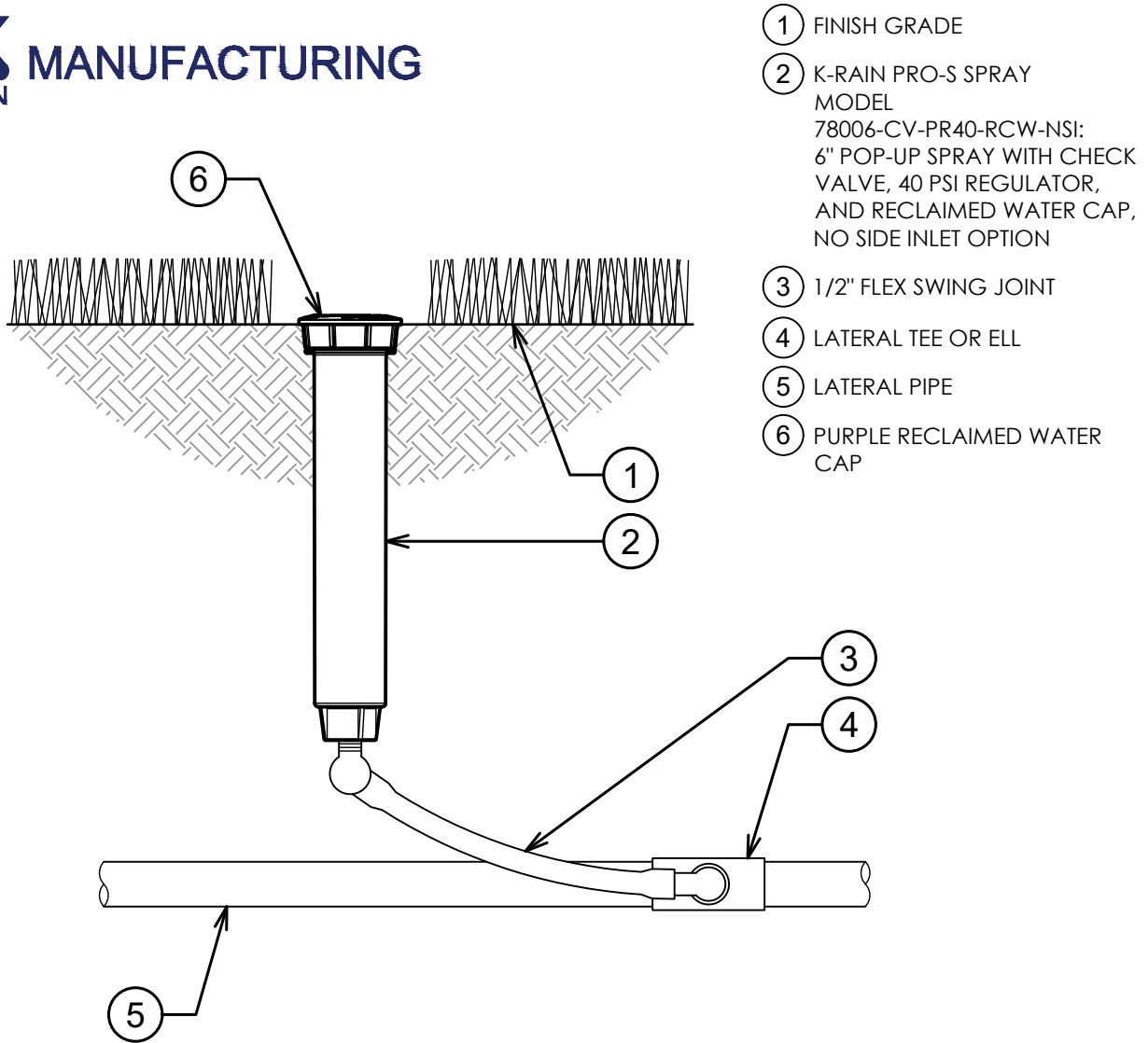


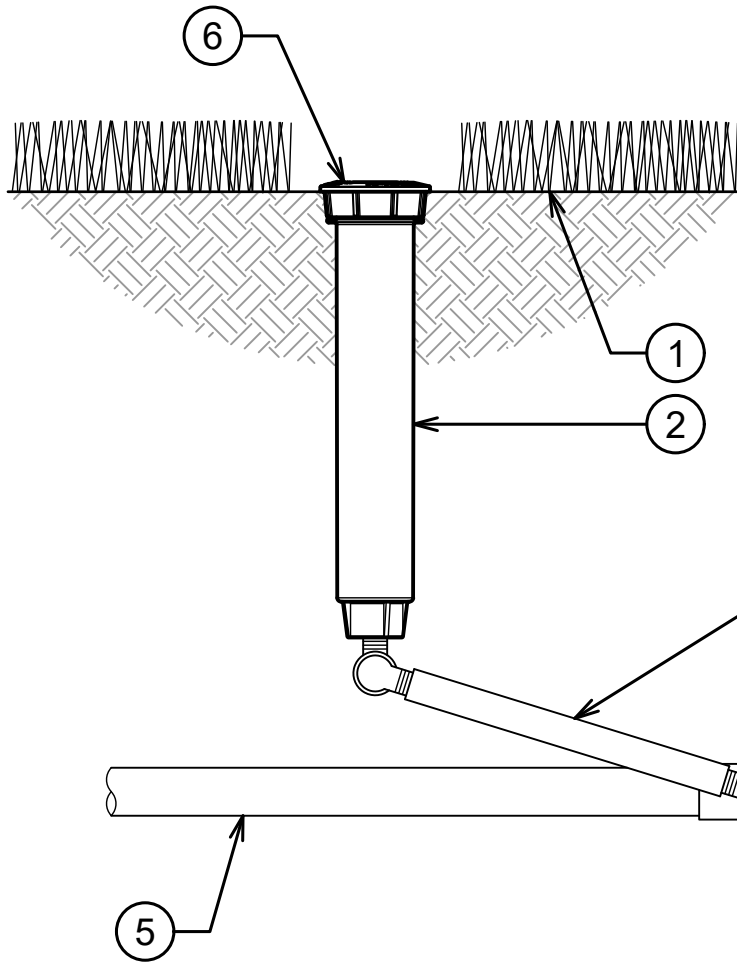
- ① FINISH GRADE
- ② K-RAIN PRO-S SPRAY
MODEL 78006-CV-PR40-NSI:
6" POP-UP SPRAY WITH CHECK
VALVE AND 40 PSI REGULATOR,
NO SIDE INLET OPTION
- ③ 1/2" RIGID SWING JOINT:
SCHEDULE 80 NIPPLE,
SCHEDULE 40 STREET ELLS
- ④ LATERAL TEE OR ELL
- ⑤ LATERAL PIPE



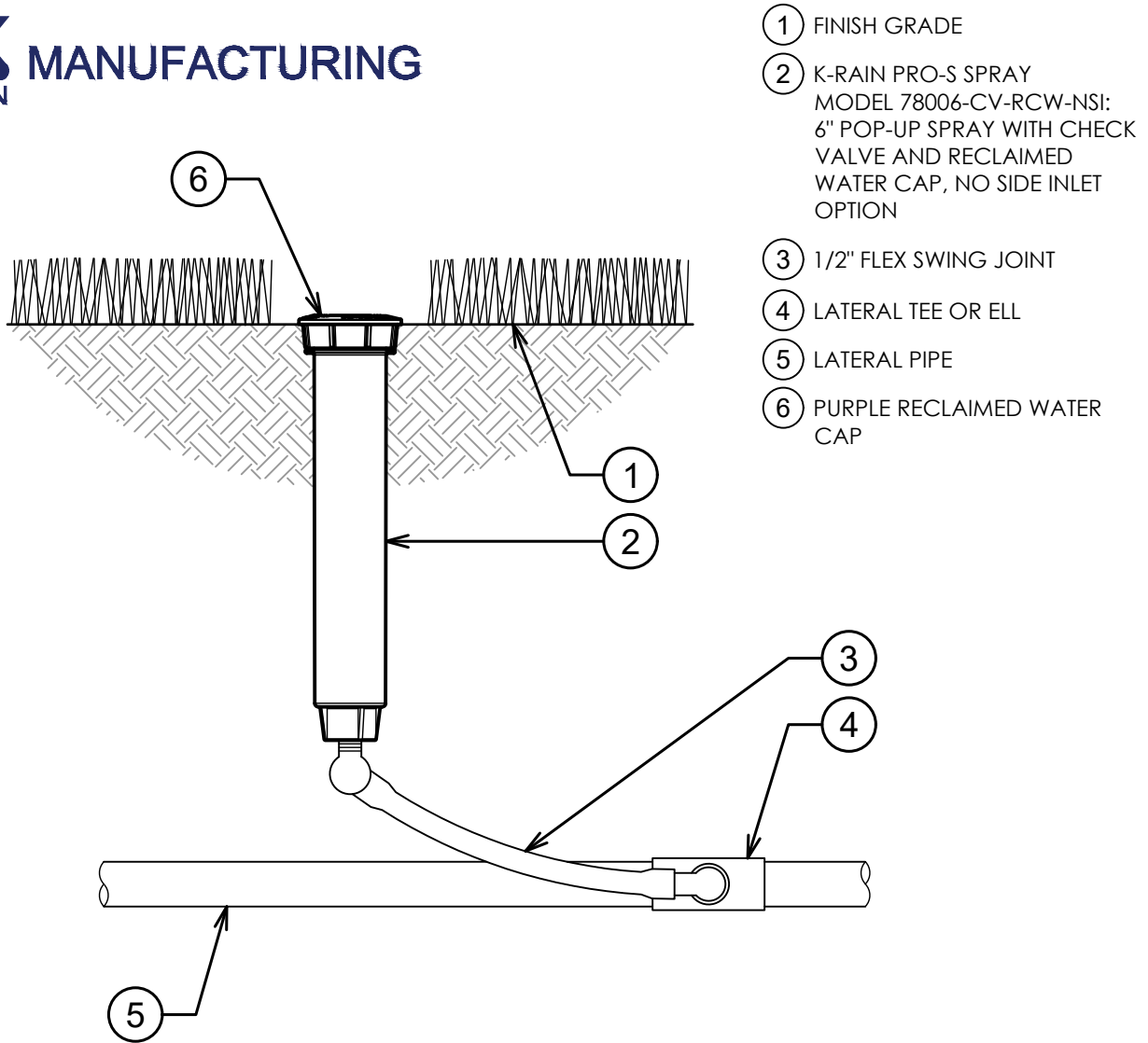
K-RAIN PRO-S SPRAY WITH 6" POP-UP

3" = 1'-0"





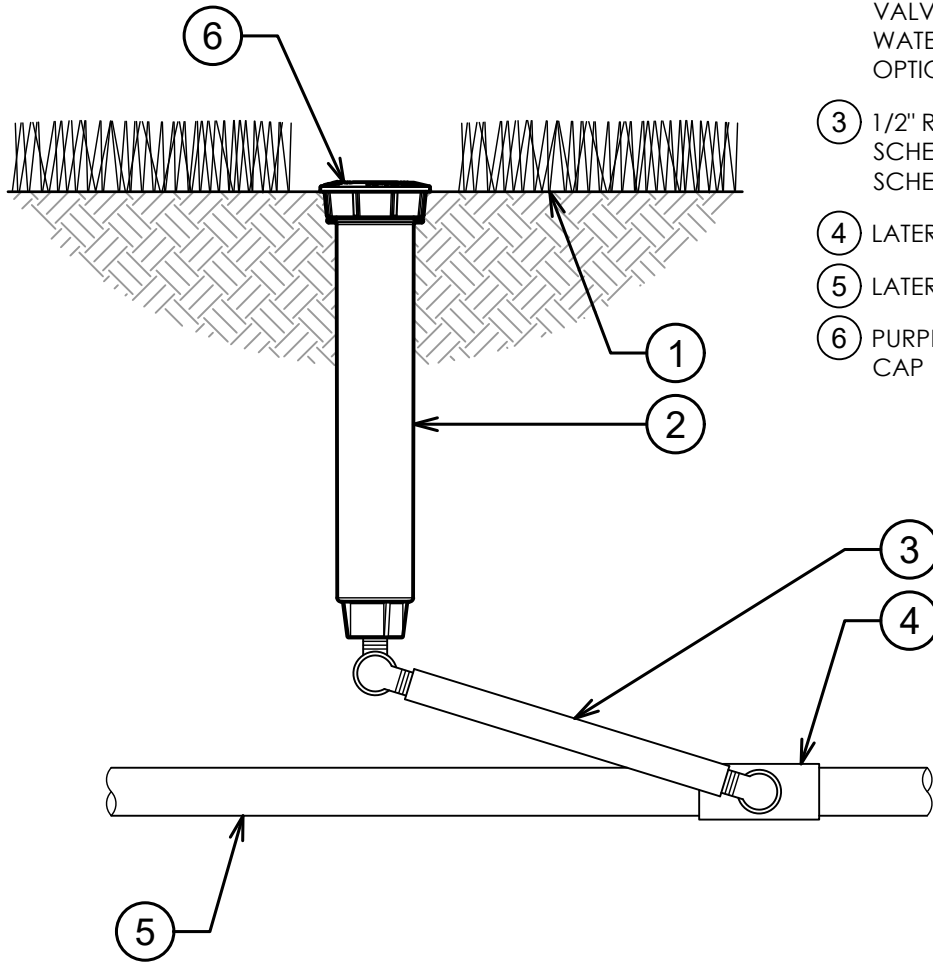
- ① FINISH GRADE
- ② K-RAIN PRO-S SPRAY MODEL 78006-CV-PR40-RCW-NSI: 6" POP-UP SPRAY WITH CHECK VALVE, 40 PSI REGULATOR, AND RECLAIMED WATER CAP, NO SIDE INLET OPTION
- ③ 1/2" RIGID SWING JOINT: SCHEDULE 80 NIPPLE, SCHEDULE 40 STREET ELLS
- ④ LATERAL TEE OR ELL
- ⑤ LATERAL PIPE
- ⑥ PURPLE RECLAIMED WATER CAP



00

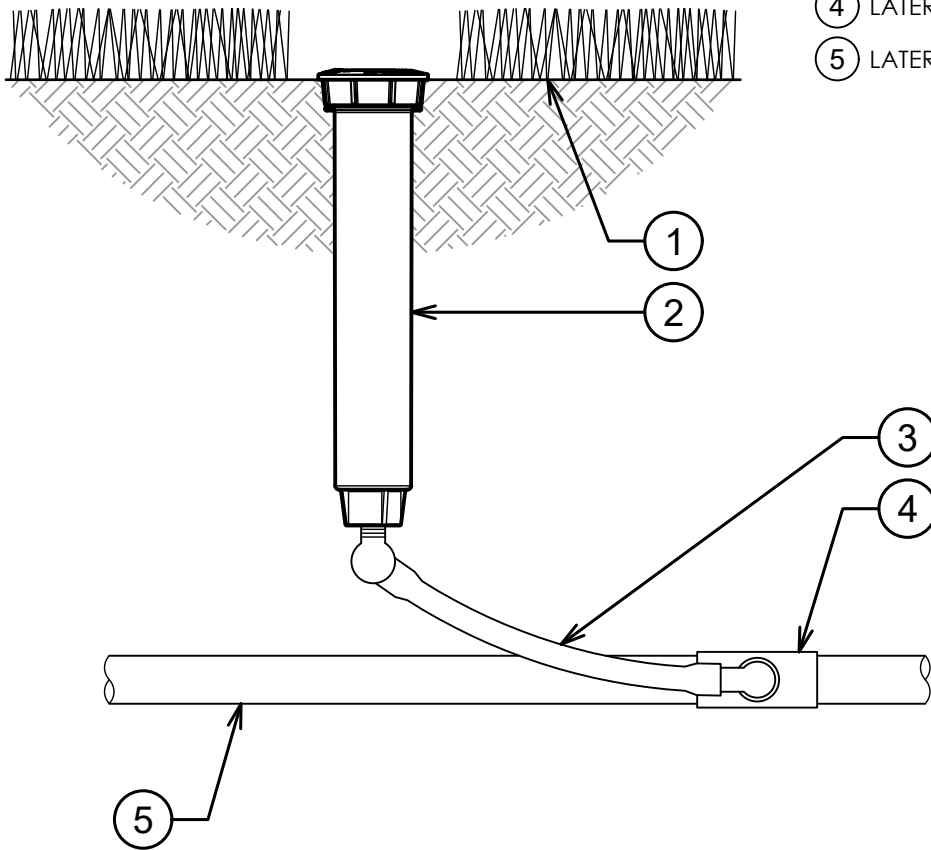
K-RAIN PRO-S SPRAY WITH 6" POP-UP

3" = 1'-0"



- ① FINISH GRADE
- ② K-RAIN PRO-S SPRAY
MODEL 78006-CV-RCW-NSI:
6" POP-UP SPRAY WITH CHECK
VALVE AND RECLAIMED
WATER CAP, NO SIDE INLET
OPTION
- ③ 1/2" RIGID SWING JOINT:
SCHEDULE 80 NIPPLE,
SCHEDULE 40 STREET ELLS
- ④ LATERAL TEE OR ELL
- ⑤ LATERAL PIPE
- ⑥ PURPLE RECLAIMED WATER
CAP

- ① FINISH GRADE
- ② K-RAIN PRO-S SPRAY
MODEL 78006-NSI:
6" POP-UP SPRAY, NO SIDE
INLET OPTION
- ③ 1/2" FLEX SWING JOINT
- ④ LATERAL TEE OR ELL
- ⑤ LATERAL PIPE



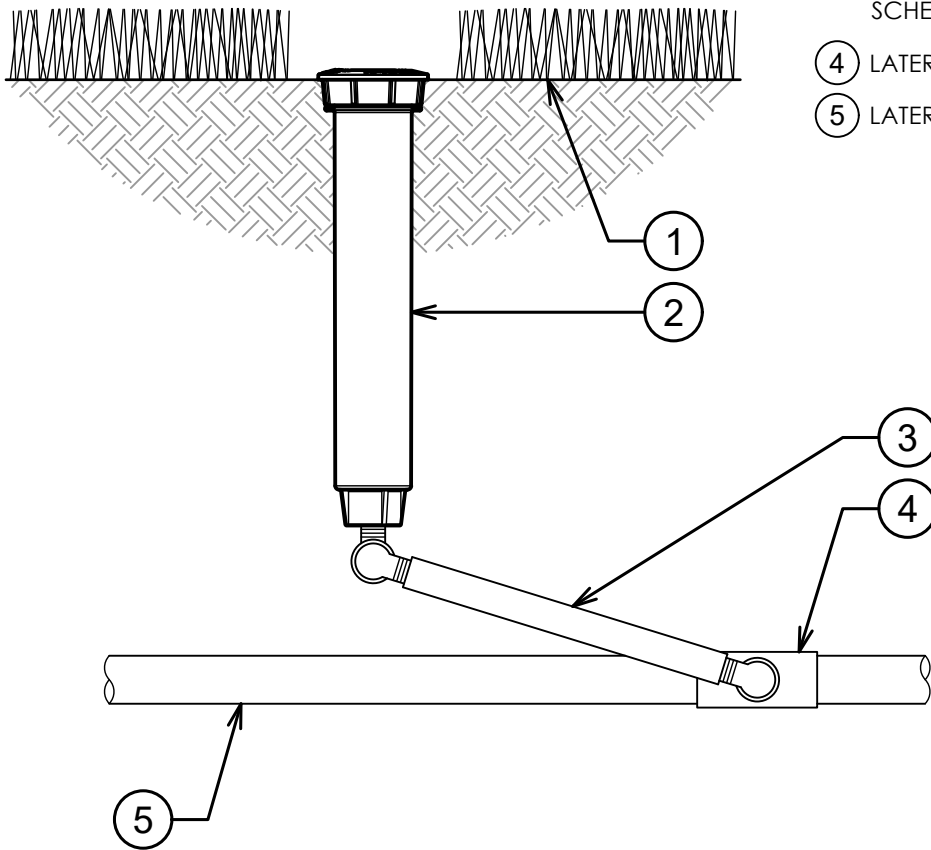
00

K-RAIN PRO-S SPRAY WITH 6" POP-UP

3" = 1'-0"

www.krain.com

- ① FINISH GRADE
- ② K-RAIN PRO-S SPRAY
MODEL 78006-NSI:
6" POP-UP SPRAY, NO SIDE
INLET OPTION
- ③ 1/2" RIGID SWING JOINT:
SCHEDULE 80 NIPPLE,
SCHEDULE 40 STREET ELLS
- ④ LATERAL TEE OR ELL
- ⑤ LATERAL PIPE

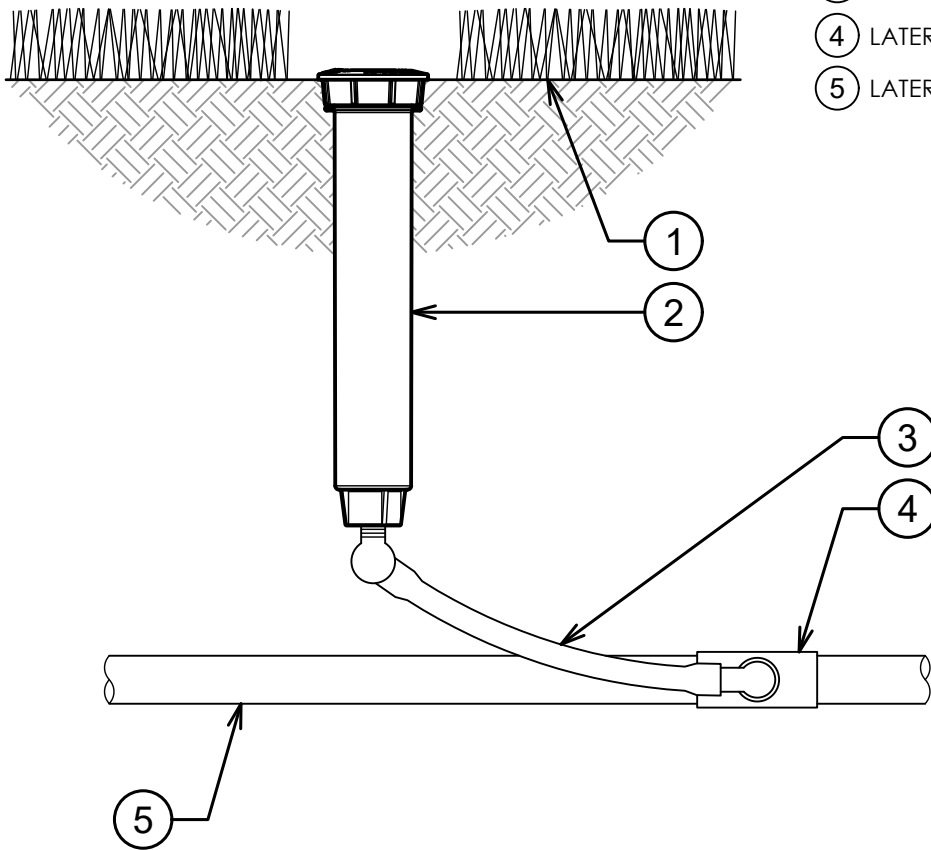


00

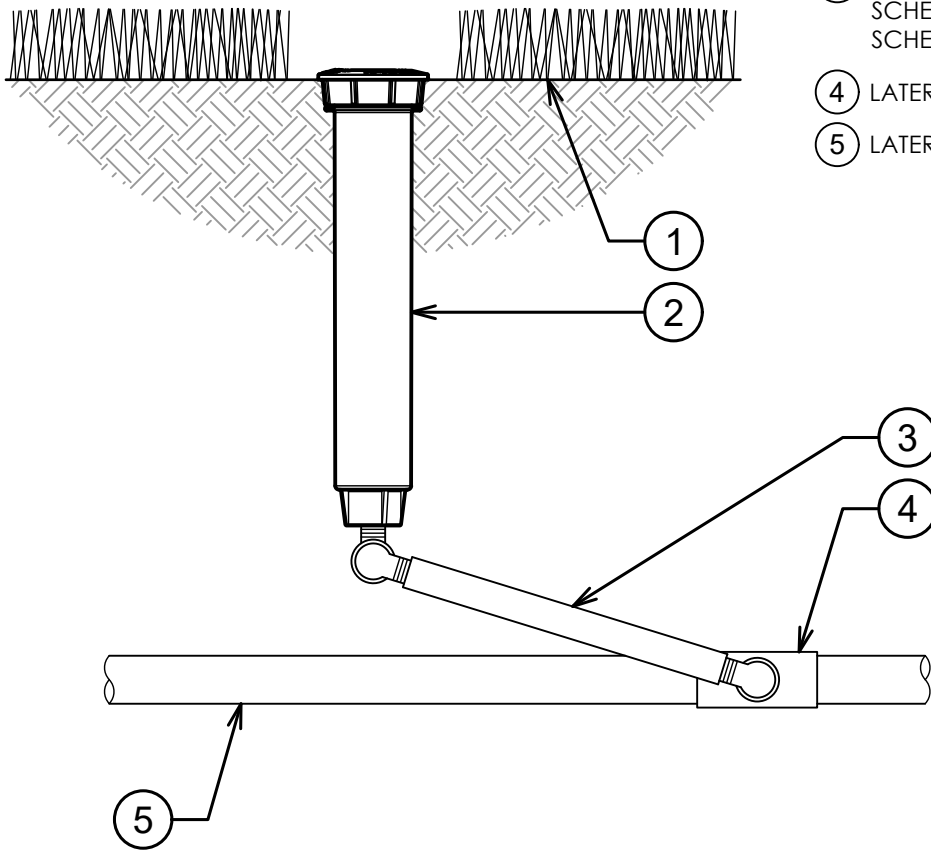
K-RAIN PRO-S SPRAY WITH 6" POP-UP

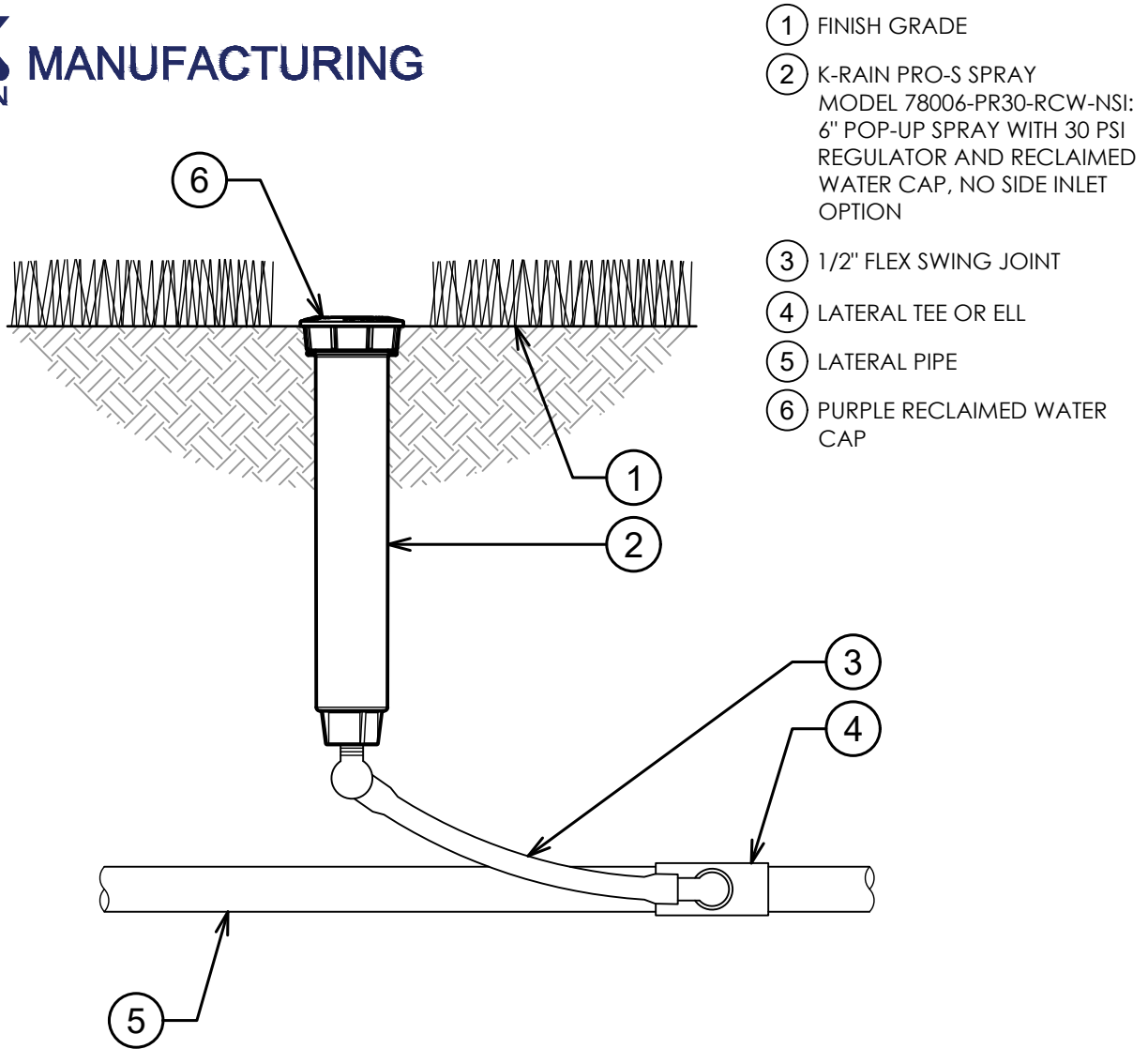
3" = 1'-0"

- ① FINISH GRADE
- ② K-RAIN PRO-S SPRAY
MODEL 78006-PR30-NSI:
6" POP-UP SPRAY WITH 30 PSI
REGULATOR, NO SIDE INLET
OPTION
- ③ 1/2" FLEX SWING JOINT
- ④ LATERAL TEE OR ELL
- ⑤ LATERAL PIPE



- ① FINISH GRADE
- ② K-RAIN PRO-S SPRAY
MODEL 78006-PR30-NSI:
6" POP-UP SPRAY WITH 30 PSI
REGULATOR, NO SIDE INLET
OPTION
- ③ 1/2" RIGID SWING JOINT:
SCHEDULE 80 NIPPLE,
SCHEDULE 40 STREET ELLS
- ④ LATERAL TEE OR ELL
- ⑤ LATERAL PIPE

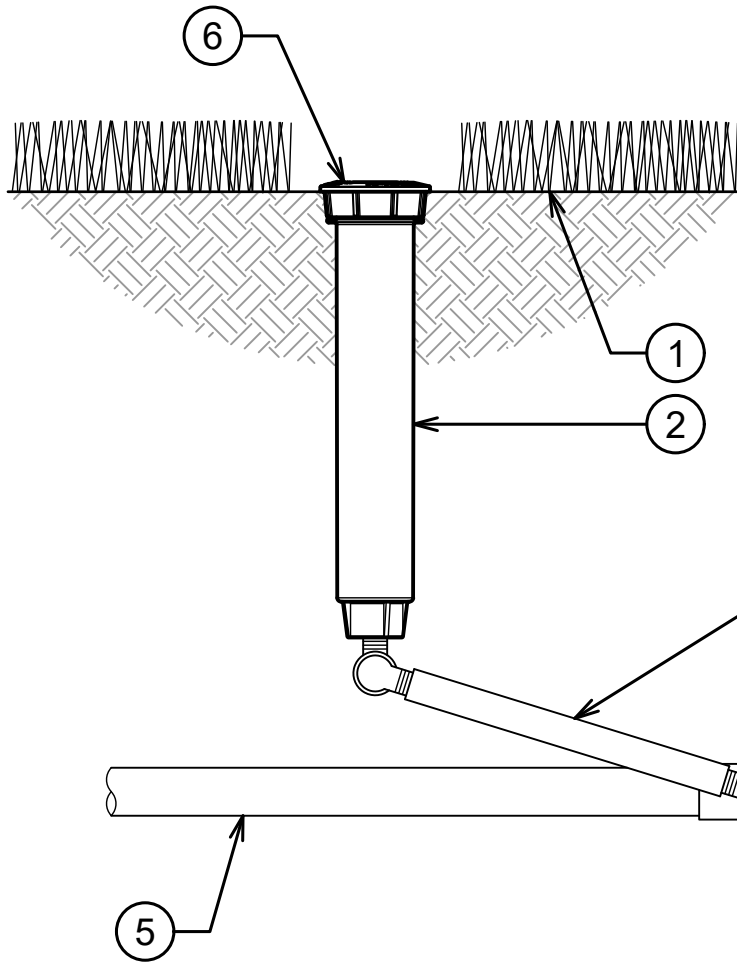




00

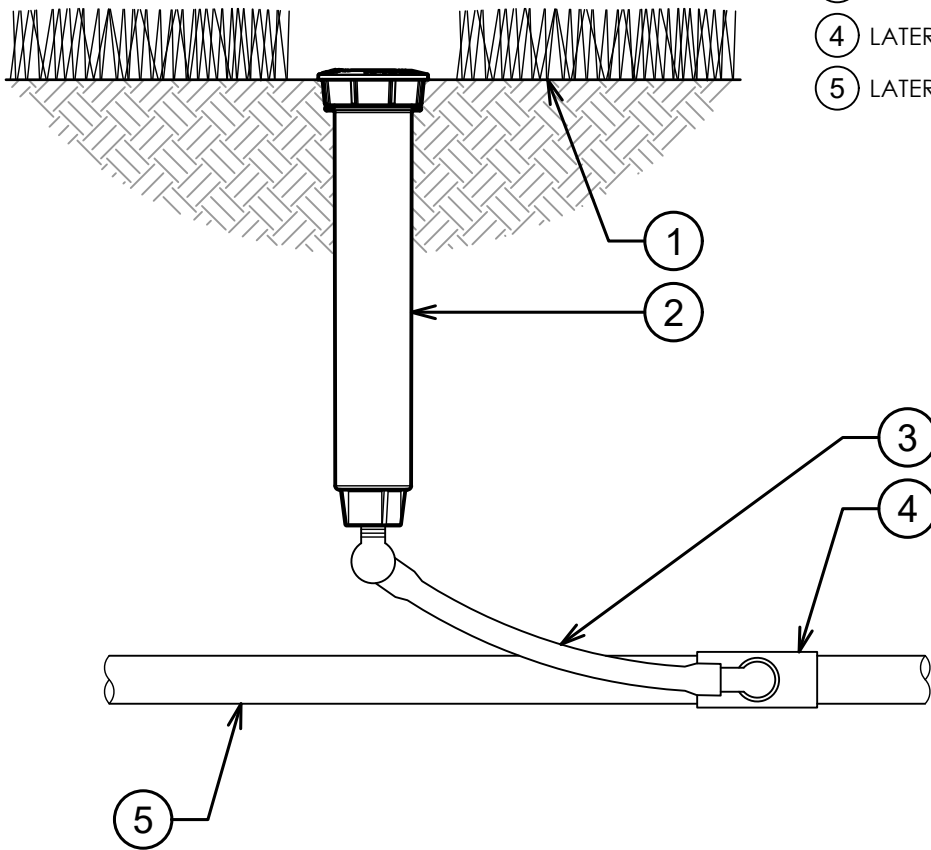
K-RAIN PRO-S SPRAY WITH 6" POP-UP

3" = 1'-0"

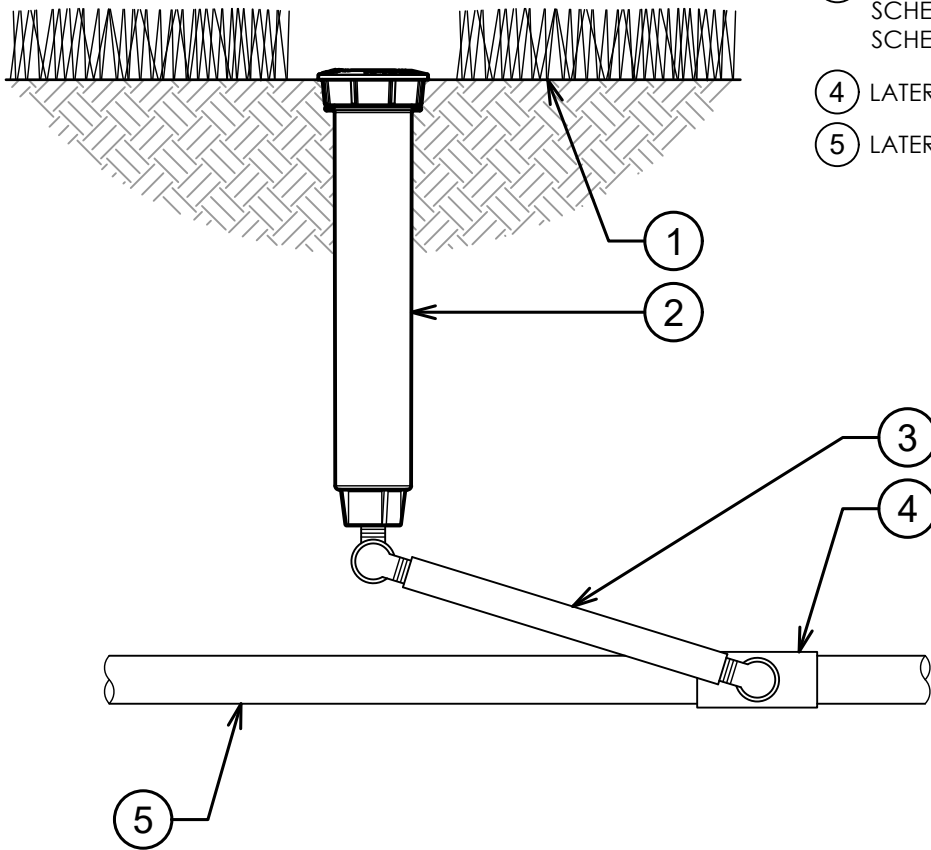


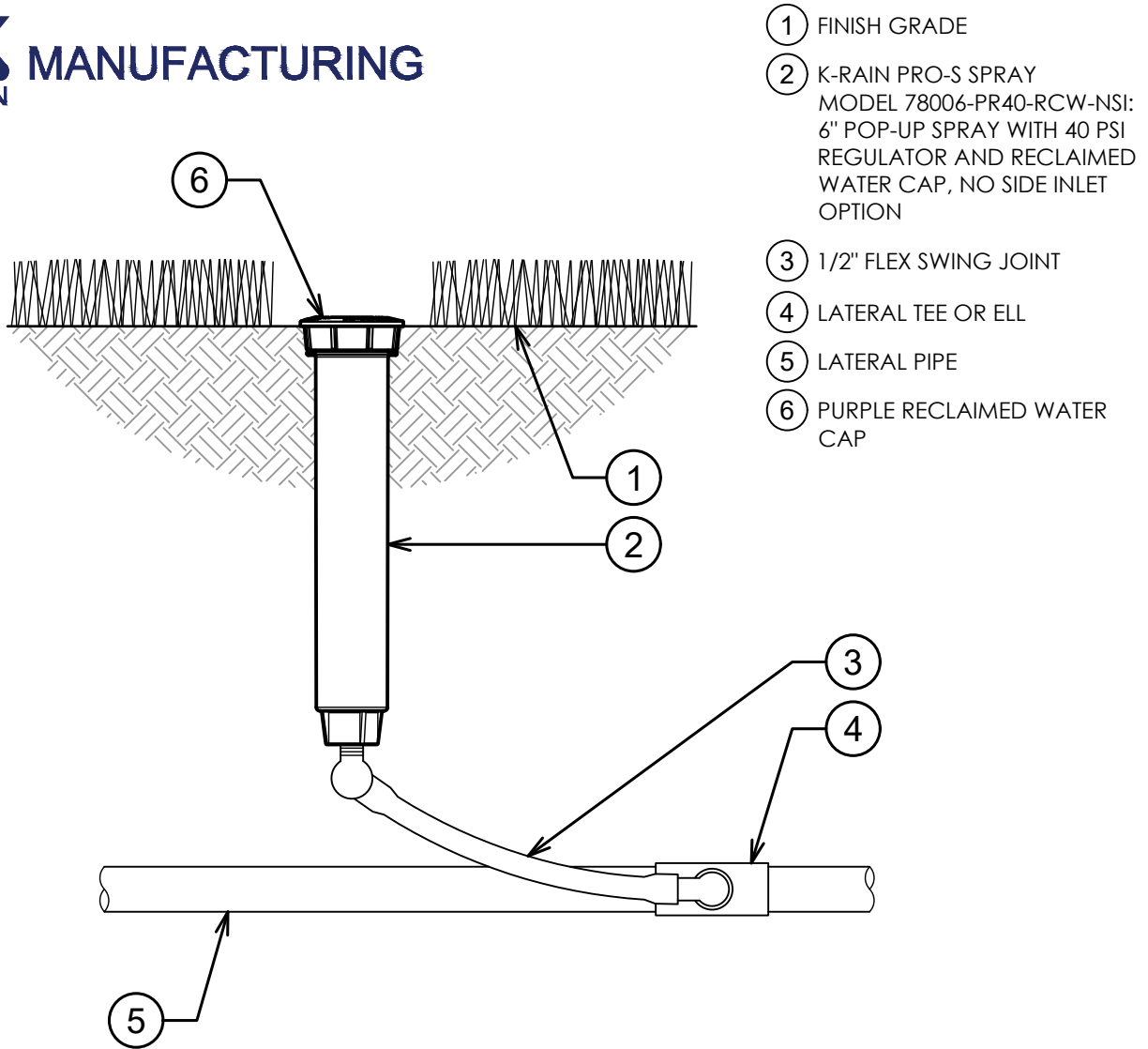
- ① FINISH GRADE
- ② K-RAIN PRO-S SPRAY
MODEL 78006-PR30-RCW-NSI:
6" POP-UP SPRAY WITH 30 PSI
REGULATOR AND RECLAIMED
WATER CAP, NO SIDE INLET
OPTION
- ③ 1/2" RIGID SWING JOINT:
SCHEDULE 80 NIPPLE,
SCHEDULE 40 STREET ELLS
- ④ LATERAL TEE OR ELL
- ⑤ LATERAL PIPE
- ⑥ PURPLE RECLAIMED WATER
CAP

- ① FINISH GRADE
- ② K-RAIN PRO-S SPRAY
MODEL 78006-PR40-NSI:
6" POP-UP SPRAY WITH 40 PSI
REGULATOR, NO SIDE INLET
OPTION
- ③ 1/2" FLEX SWING JOINT
- ④ LATERAL TEE OR ELL
- ⑤ LATERAL PIPE



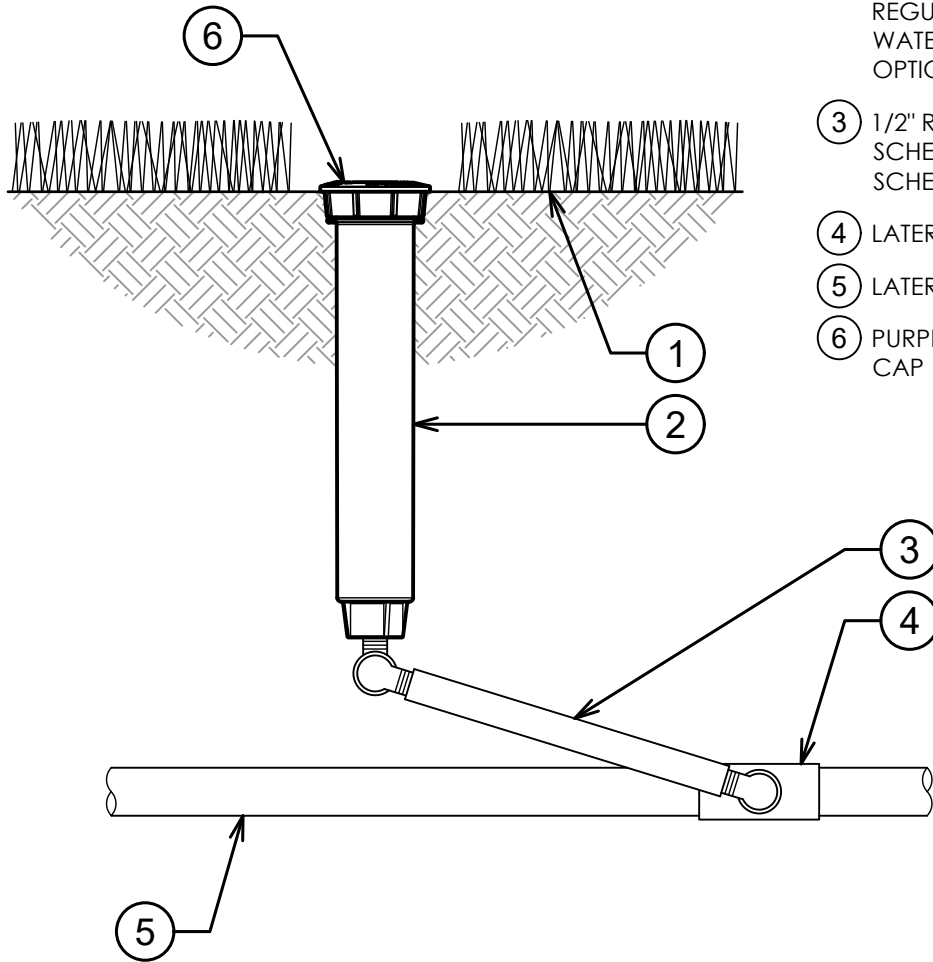
- ① FINISH GRADE
- ② K-RAIN PRO-S SPRAY
MODEL 78006-PR40-NSI:
6" POP-UP SPRAY WITH 40 PSI
REGULATOR, NO SIDE INLET
OPTION
- ③ 1/2" RIGID SWING JOINT:
SCHEDULE 80 NIPPLE,
SCHEDULE 40 STREET ELLS
- ④ LATERAL TEE OR ELL
- ⑤ LATERAL PIPE



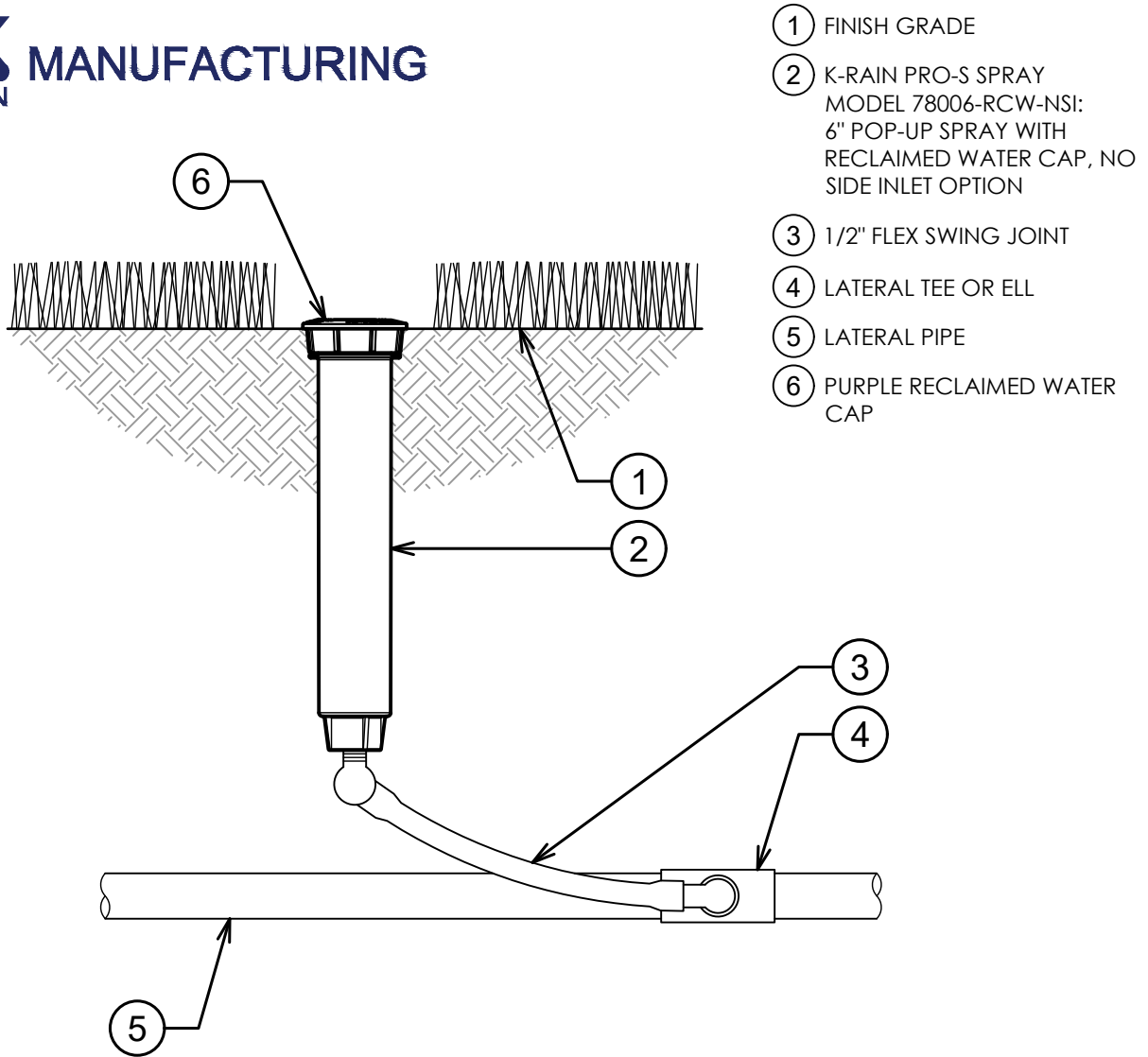


K-RAIN PRO-S SPRAY WITH 6" POP-UP

3" = 1'-0"

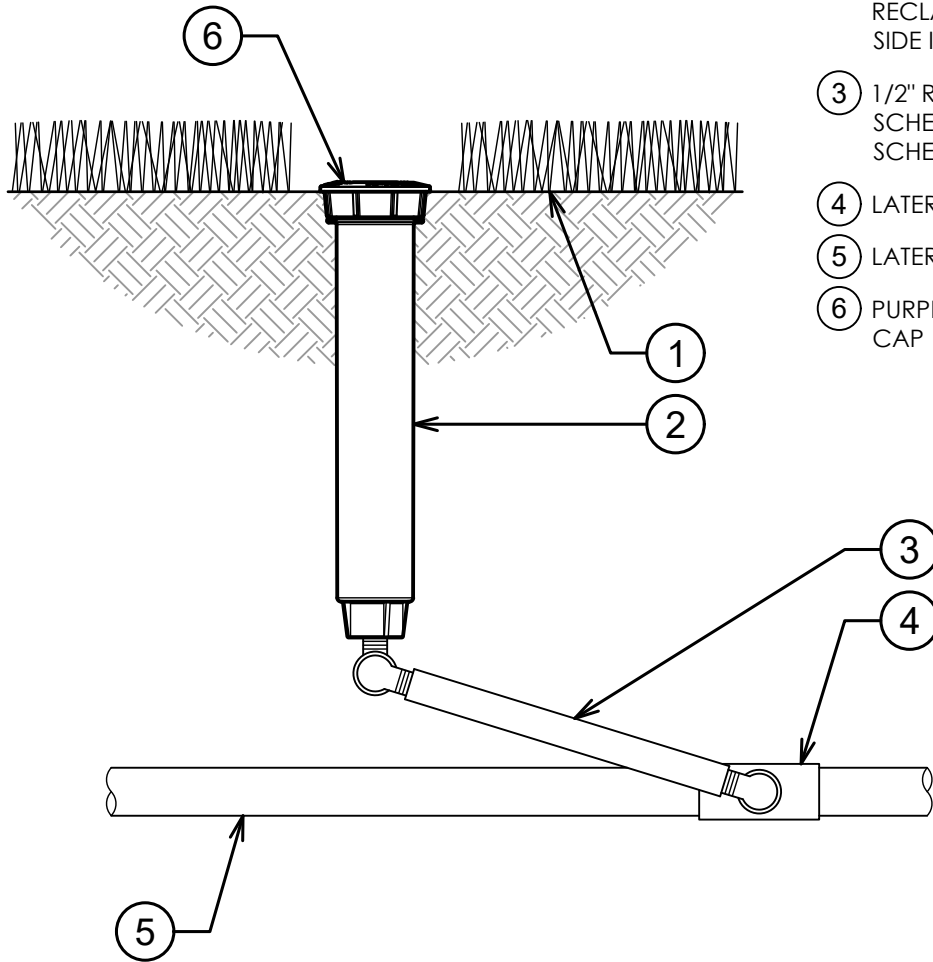


- ① FINISH GRADE
- ② K-RAIN PRO-S SPRAY
MODEL 78006-PR40-RCW-NSI:
6" POP-UP SPRAY WITH 40 PSI
REGULATOR AND RECLAIMED
WATER CAP, NO SIDE INLET
OPTION
- ③ 1/2" RIGID SWING JOINT:
SCHEDULE 80 NIPPLE,
SCHEDULE 40 STREET ELLS
- ④ LATERAL TEE OR ELL
- ⑤ LATERAL PIPE
- ⑥ PURPLE RECLAIMED WATER
CAP



K-RAIN PRO-S SPRAY WITH 6" POP-UP

3" = 1'-0"



- ① FINISH GRADE
- ② K-RAIN PRO-S SPRAY
MODEL 78006-RCW-NSI:
6" POP-UP SPRAY WITH
RECLAIMED WATER CAP, NO
SIDE INLET OPTION
- ③ 1/2" RIGID SWING JOINT:
SCHEDULE 80 NIPPLE,
SCHEDULE 40 STREET ELLS
- ④ LATERAL TEE OR ELL
- ⑤ LATERAL PIPE
- ⑥ PURPLE RECLAIMED WATER
CAP