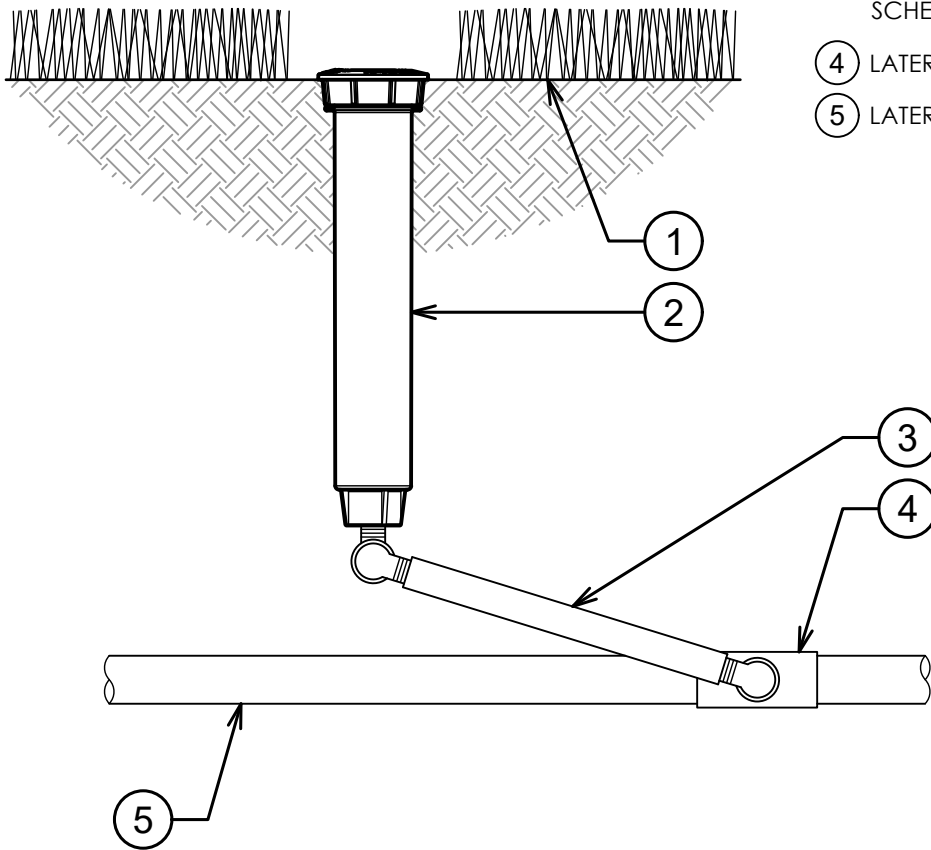


- ① FINISH GRADE
- ② K-RAIN PRO-S SPRAY  
MODEL 78006-NSI:  
6" POP-UP SPRAY, NO SIDE  
INLET OPTION
- ③ 1/2" RIGID SWING JOINT:  
SCHEDULE 80 NIPPLE,  
SCHEDULE 40 STREET ELLS
- ④ LATERAL TEE OR ELL
- ⑤ LATERAL PIPE



00

**K-RAIN PRO-S SPRAY WITH 6" POP-UP**

3" = 1'-0"