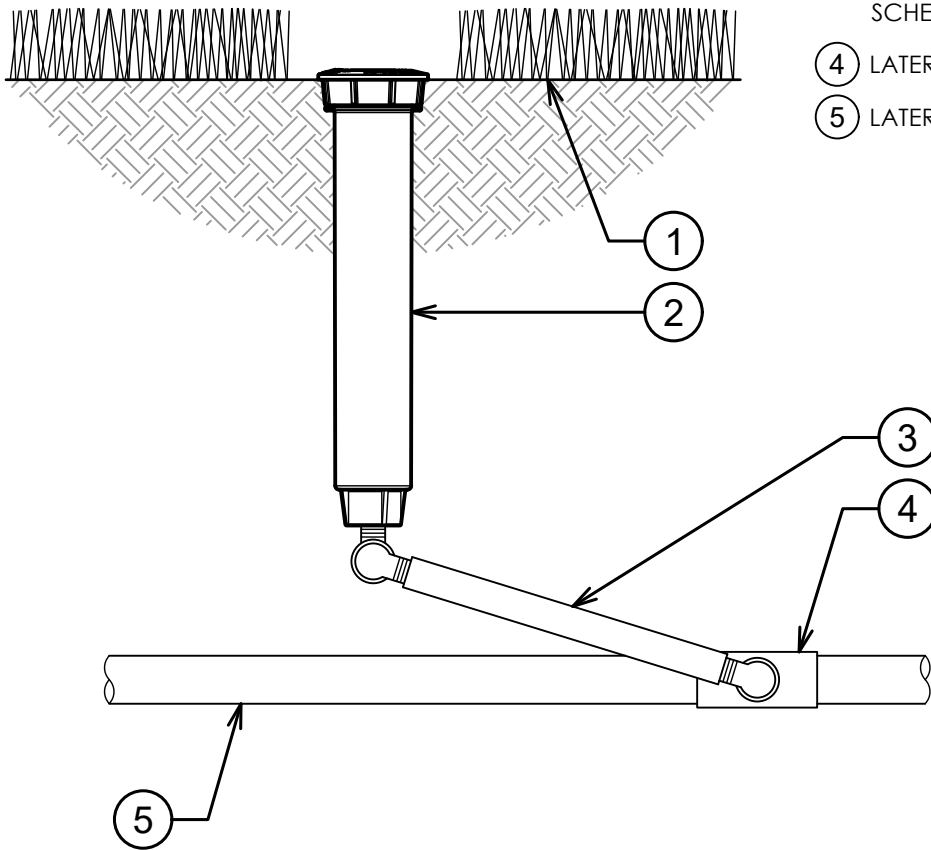


- ① FINISH GRADE
- ② K-RAIN PRO-S SPRAY
MODEL 78006-CV-NSI:
6" POP-UP SPRAY WITH CHECK
VALVE, NO SIDE INLET OPTION
- ③ 1/2" RIGID SWING JOINT:
SCHEDULE 80 NIPPLE,
SCHEDULE 40 STREET ELLS
- ④ LATERAL TEE OR ELL
- ⑤ LATERAL PIPE



00

K-RAIN PRO-S SPRAY WITH 6" POP-UP

3" = 1'-0"