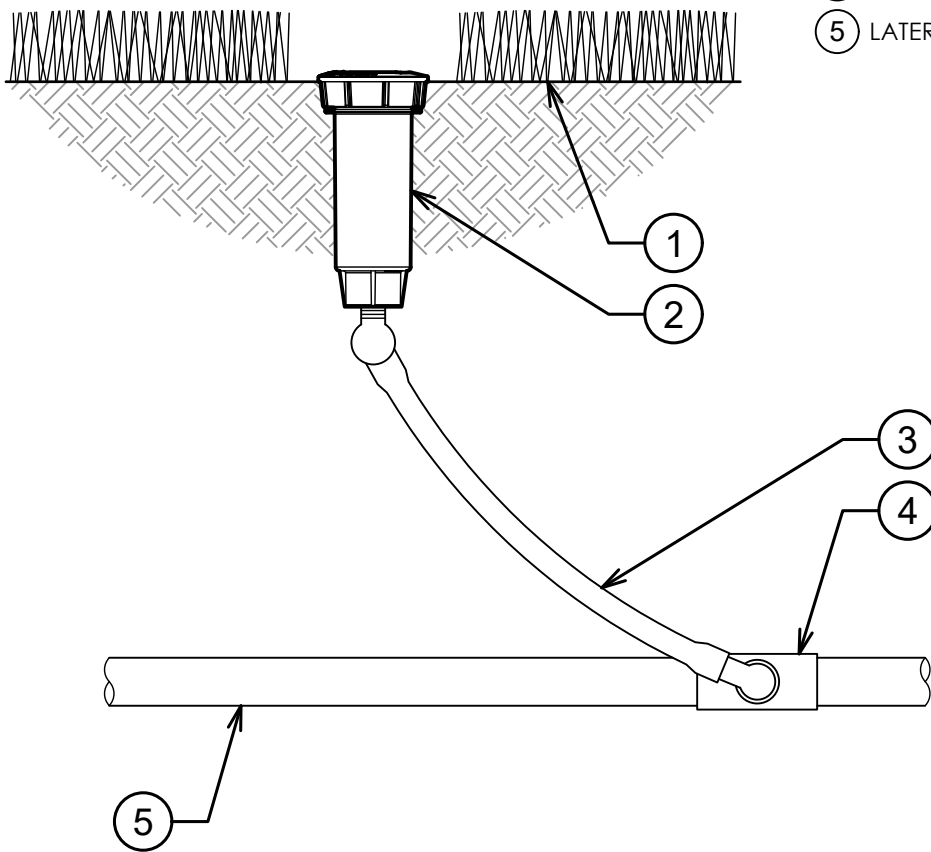


- ① FINISH GRADE
- ② K-RAIN PRO-S SPRAY
MODEL 78003:
3" POP-UP SPRAY
- ③ 1/2" FLEX SWING JOINT
- ④ LATERAL TEE OR ELL
- ⑤ LATERAL PIPE

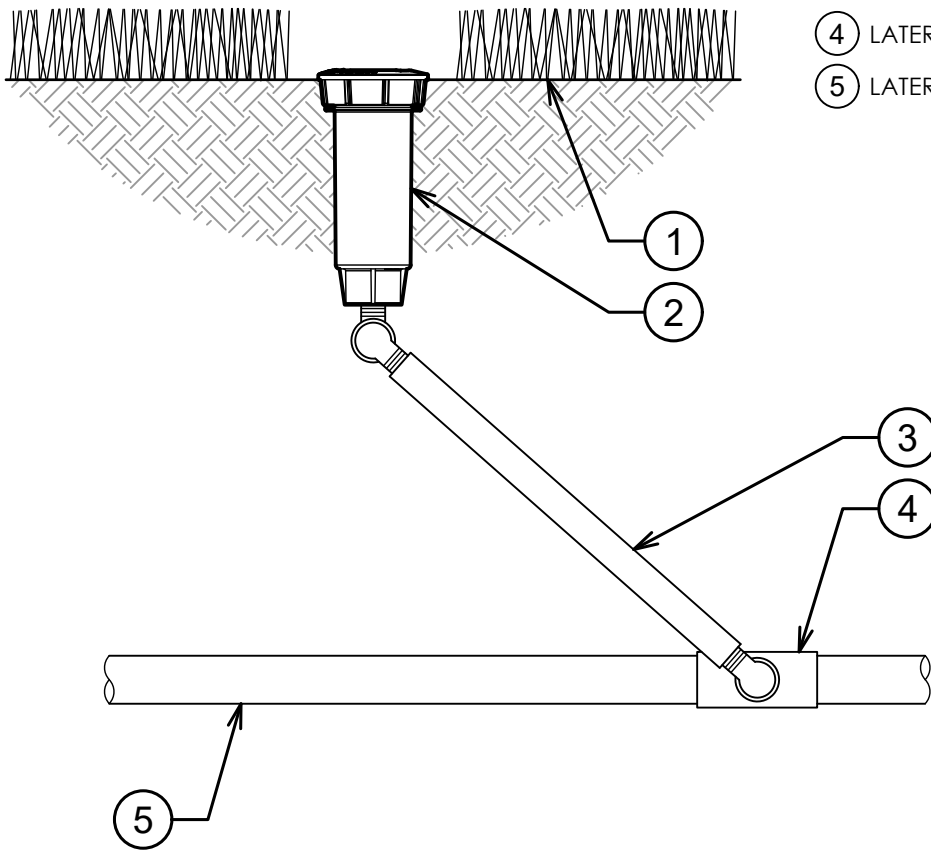


00

K-RAIN PRO-S SPRAY WITH 3" POP-UP

3" = 1'-0"

- ① FINISH GRADE
- ② K-RAIN PRO-S SPRAY
MODEL 78003:
3" POP-UP SPRAY
- ③ 1/2" RIGID SWING JOINT:
SCHEDULE 80 NIPPLE,
SCHEDULE 40 STREET ELLS
- ④ LATERAL TEE OR ELL
- ⑤ LATERAL PIPE

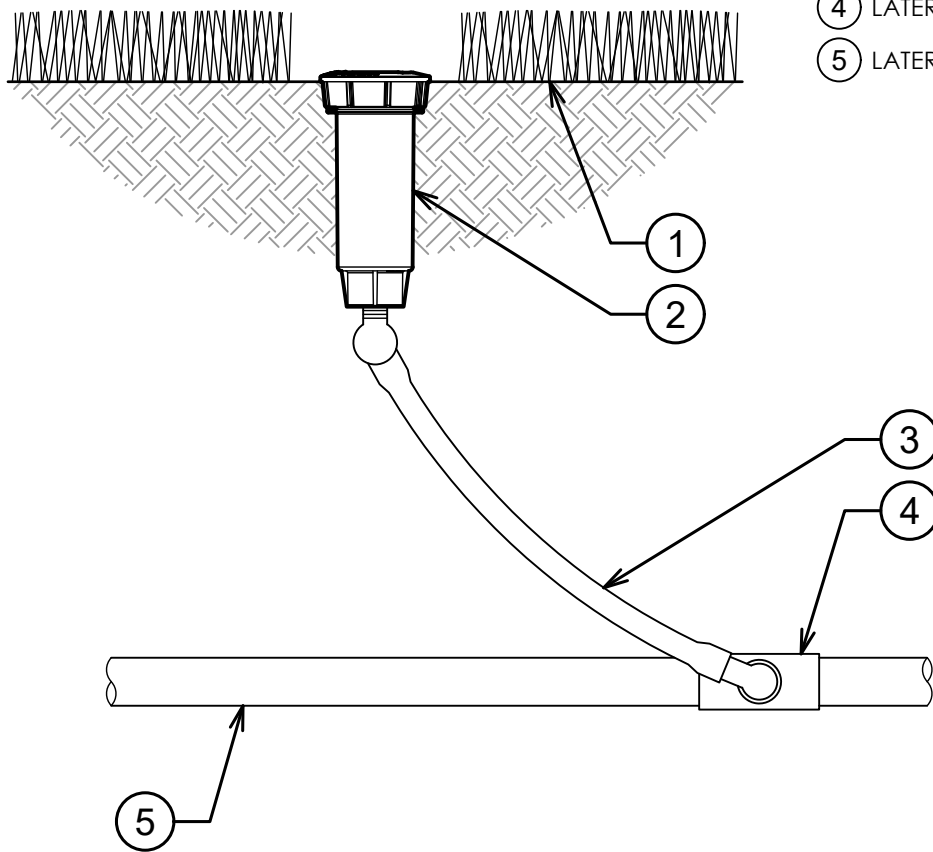


00

K-RAIN PRO-S SPRAY WITH 3" POP-UP

3" = 1'-0"

- ① FINISH GRADE
- ② K-RAIN PRO-S SPRAY
MODEL 78003-CV:
3" POP-UP SPRAY WITH CHECK
VALVE
- ③ 1/2" FLEX SWING JOINT
- ④ LATERAL TEE OR ELL
- ⑤ LATERAL PIPE

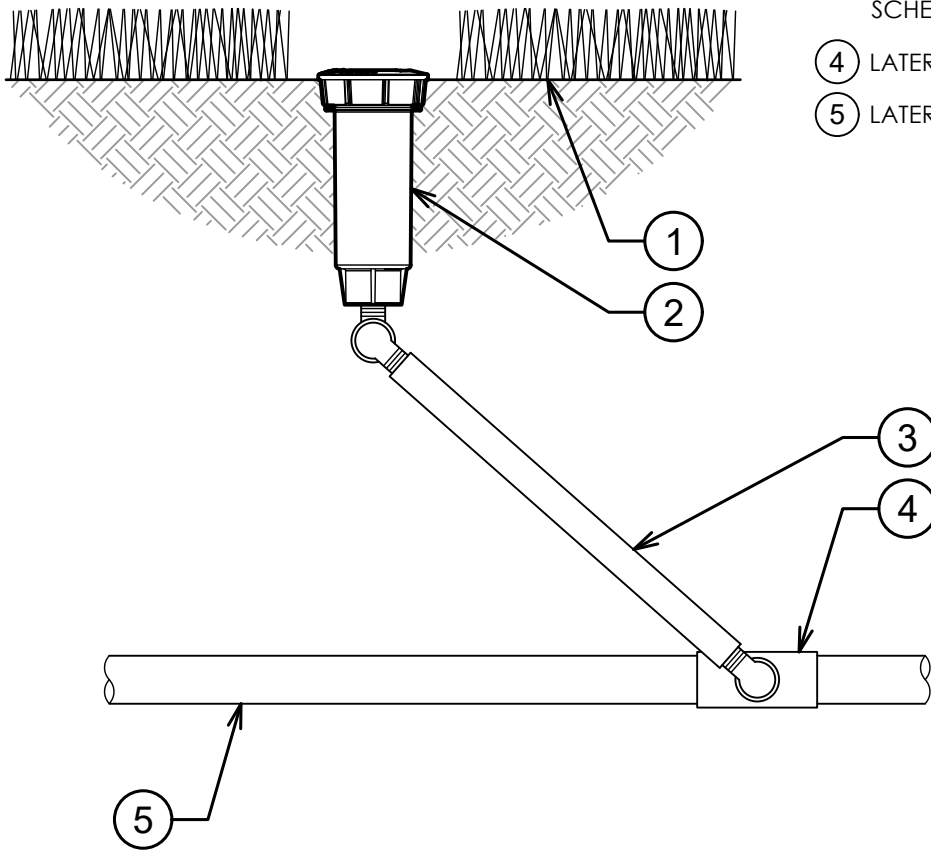


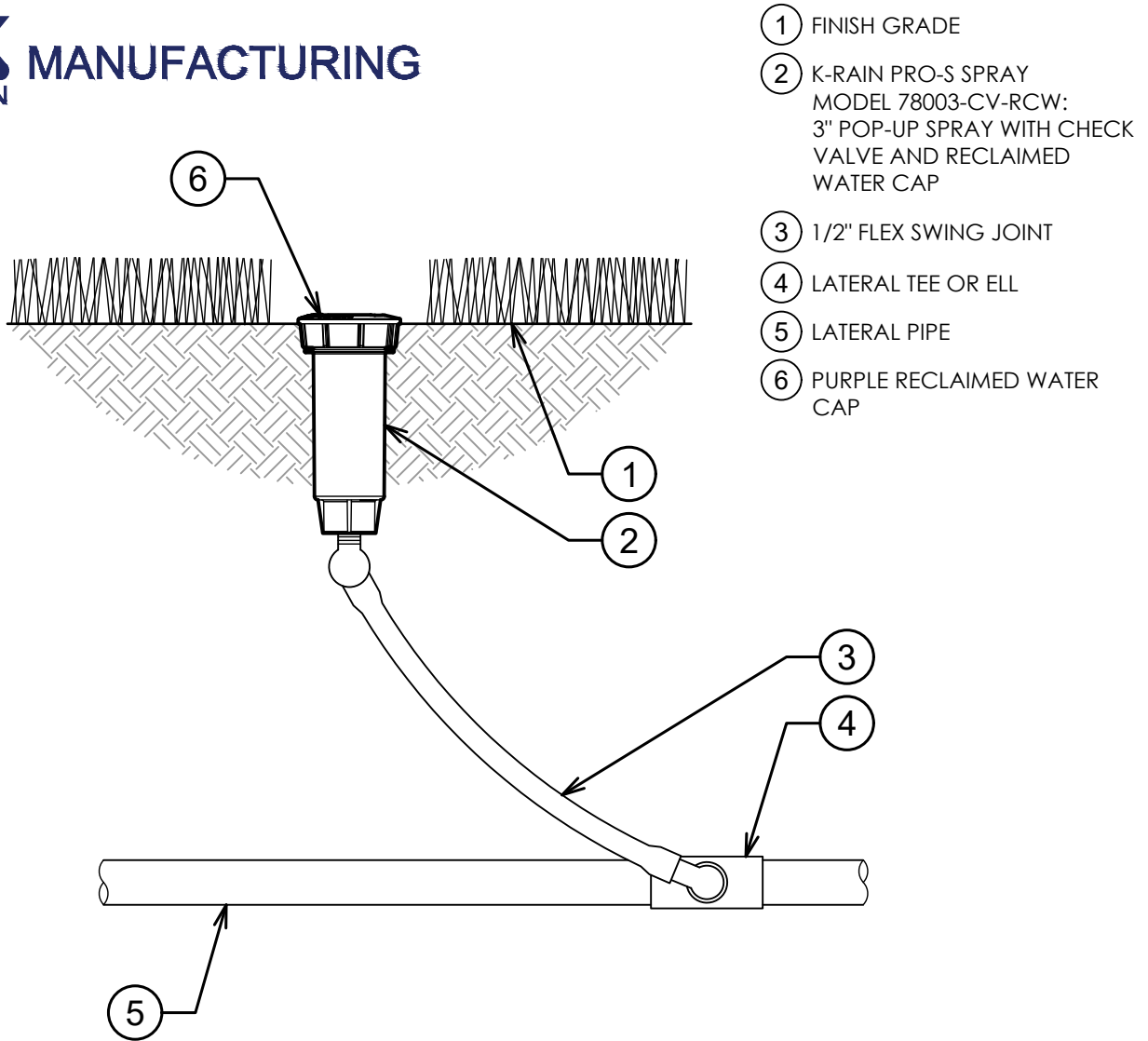
00

K-RAIN PRO-S SPRAY WITH 3" POP-UP

3" = 1'-0"

- ① FINISH GRADE
- ② K-RAIN PRO-S SPRAY
MODEL 78003-CV:
3" POP-UP SPRAY WITH CHECK
VALVE
- ③ 1/2" RIGID SWING JOINT:
SCHEDULE 80 NIPPLE,
SCHEDULE 40 STREET ELLS
- ④ LATERAL TEE OR ELL
- ⑤ LATERAL PIPE

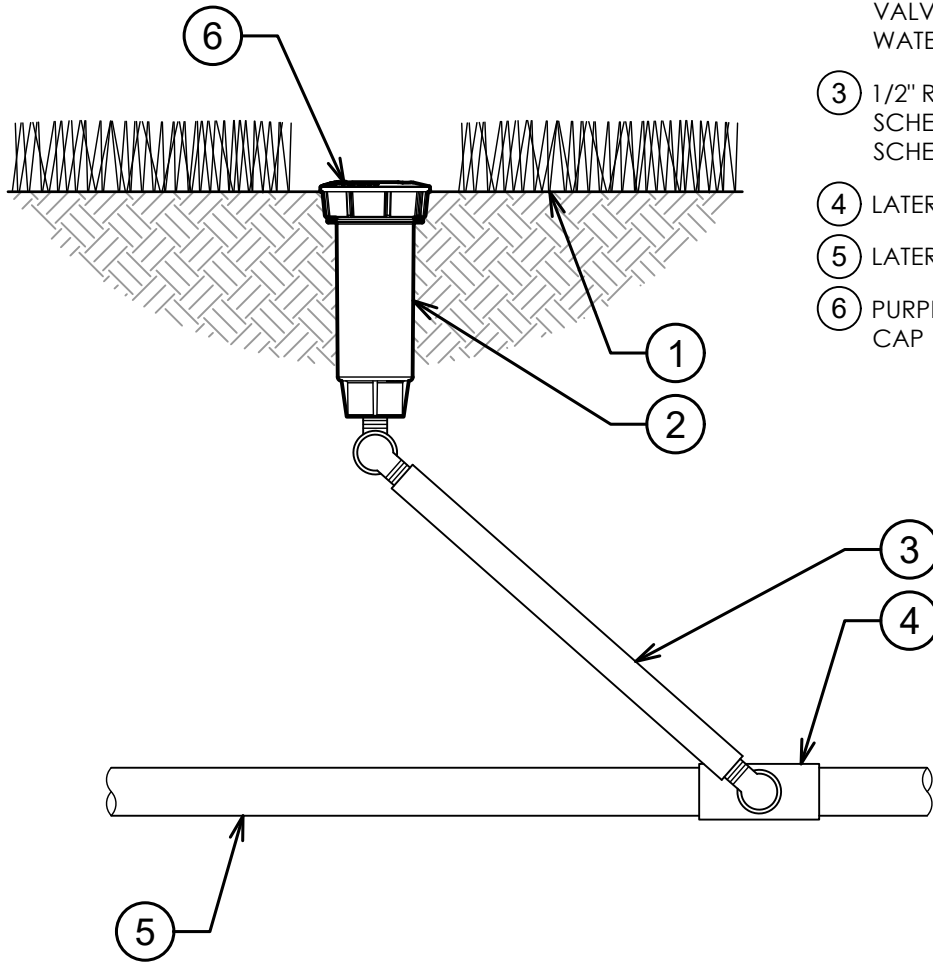




00

K-RAIN PRO-S SPRAY WITH 3" POP-UP

3" = 1'-0"

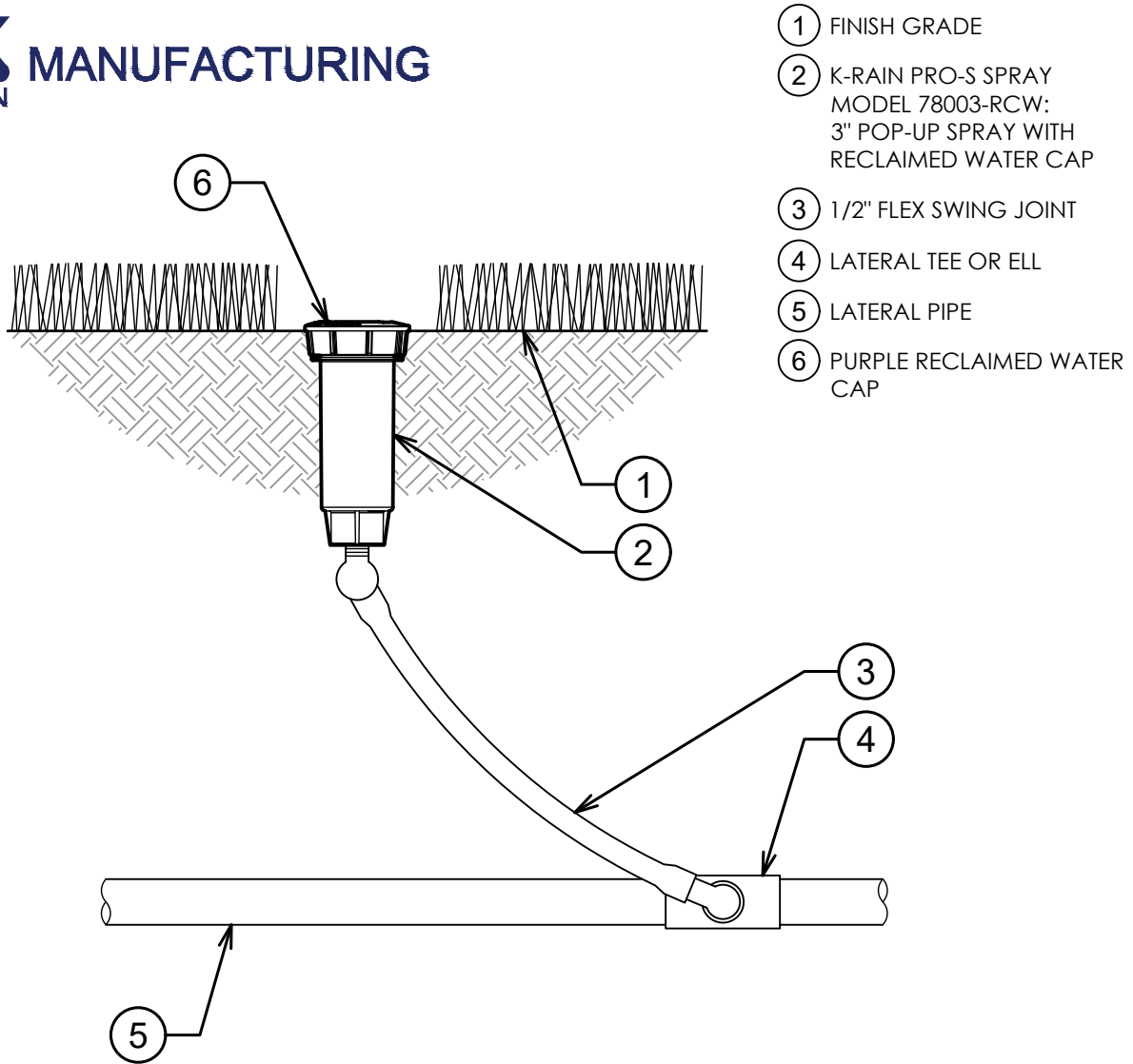


- ① FINISH GRADE
- ② K-RAIN PRO-S SPRAY
MODEL 78003-CV-RCW:
3" POP-UP SPRAY WITH CHECK
VALVE AND RECLAIMED
WATER CAP
- ③ 1/2" RIGID SWING JOINT:
SCHEDULE 80 NIPPLE,
SCHEDULE 40 STREET ELLS
- ④ LATERAL TEE OR ELL
- ⑤ LATERAL PIPE
- ⑥ PURPLE RECLAIMED WATER
CAP

00

K-RAIN PRO-S SPRAY WITH 3" POP-UP

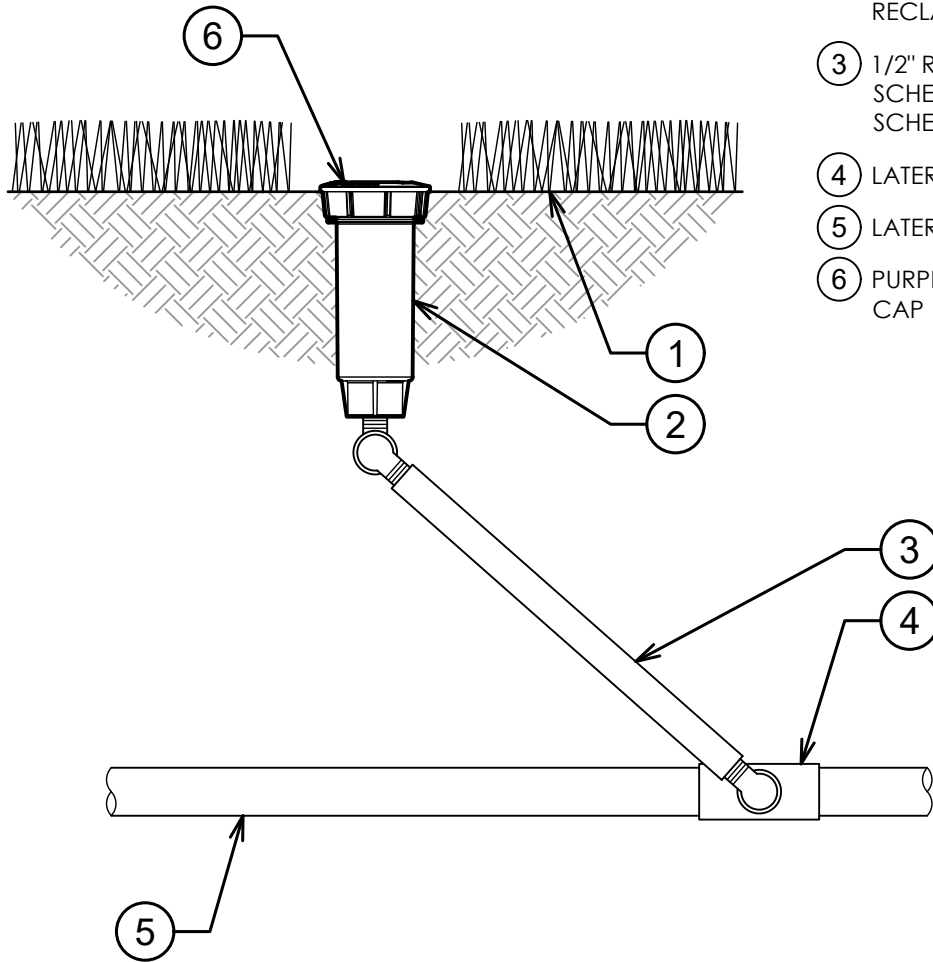
3" = 1'-0"



00

K-RAIN PRO-S SPRAY WITH 3" POP-UP

3" = 1'-0"



- ① FINISH GRADE
- ② K-RAIN PRO-S SPRAY
MODEL 78003-RCW:
3" POP-UP SPRAY WITH
RECLAIMED WATER CAP
- ③ 1/2" RIGID SWING JOINT:
SCHEDULE 80 NIPPLE,
SCHEDULE 40 STREET ELLS
- ④ LATERAL TEE OR ELL
- ⑤ LATERAL PIPE
- ⑥ PURPLE RECLAIMED WATER
CAP