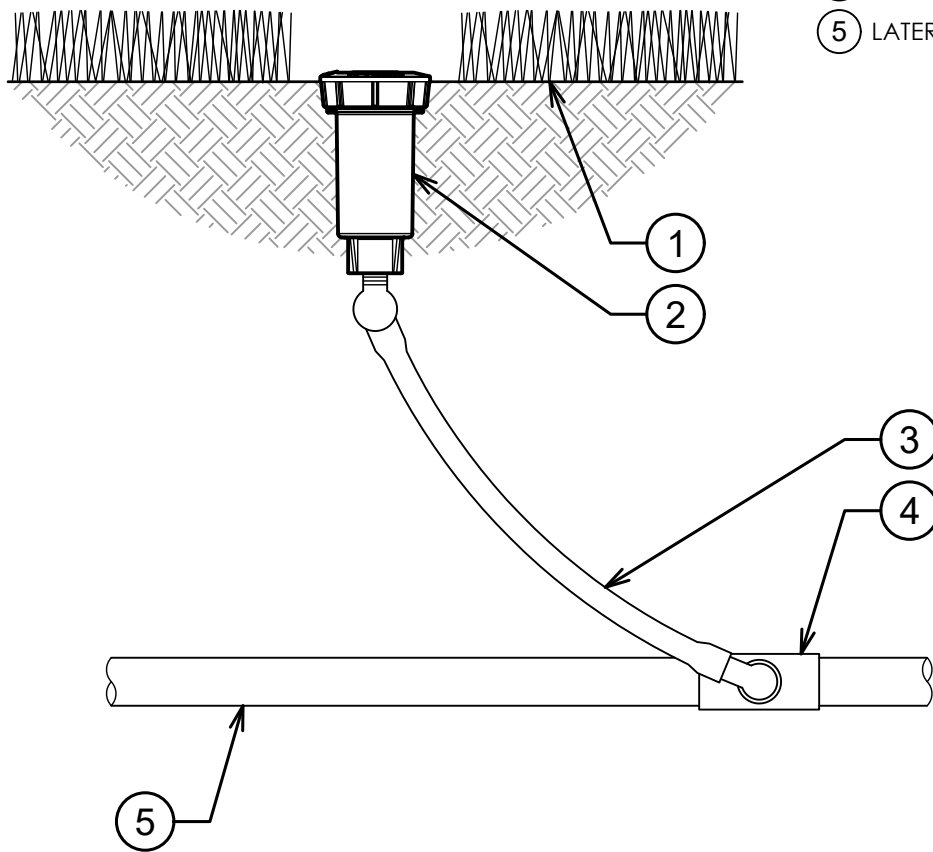


- ① FINISH GRADE
- ② K-RAIN PRO-S SPRAY  
MODEL 78002:  
2" POP-UP SPRAY
- ③ 1/2" FLEX SWING JOINT
- ④ LATERAL TEE OR ELL
- ⑤ LATERAL PIPE



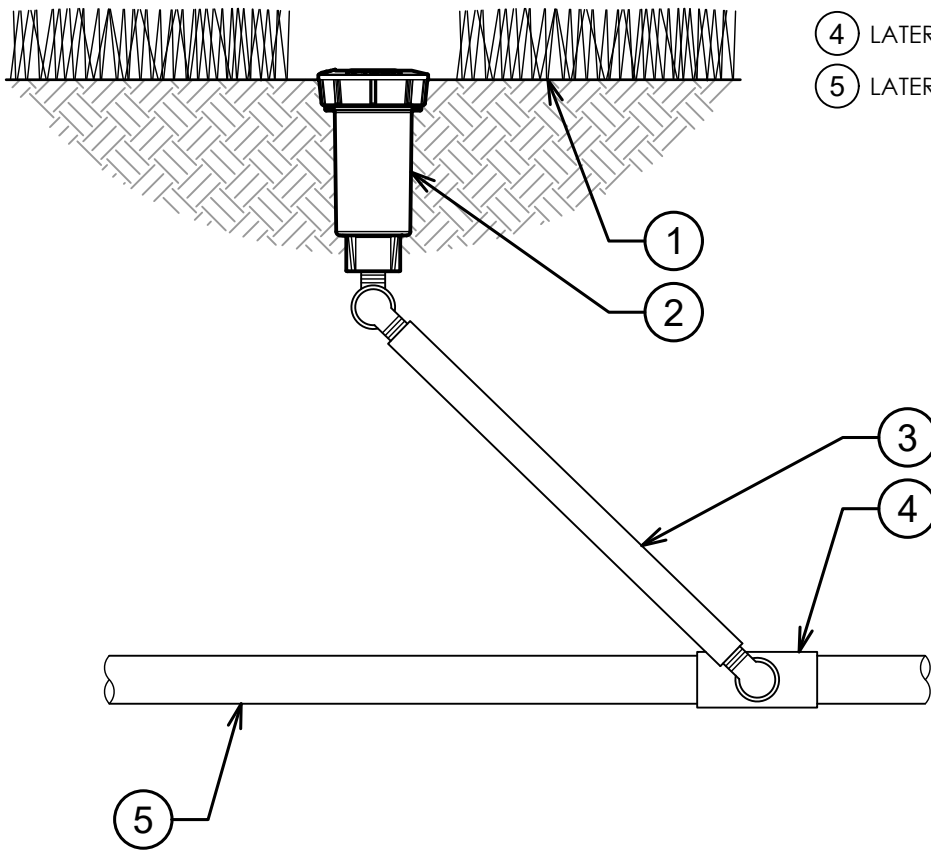
00

## K-RAIN PRO-S SPRAY WITH 2" POP-UP

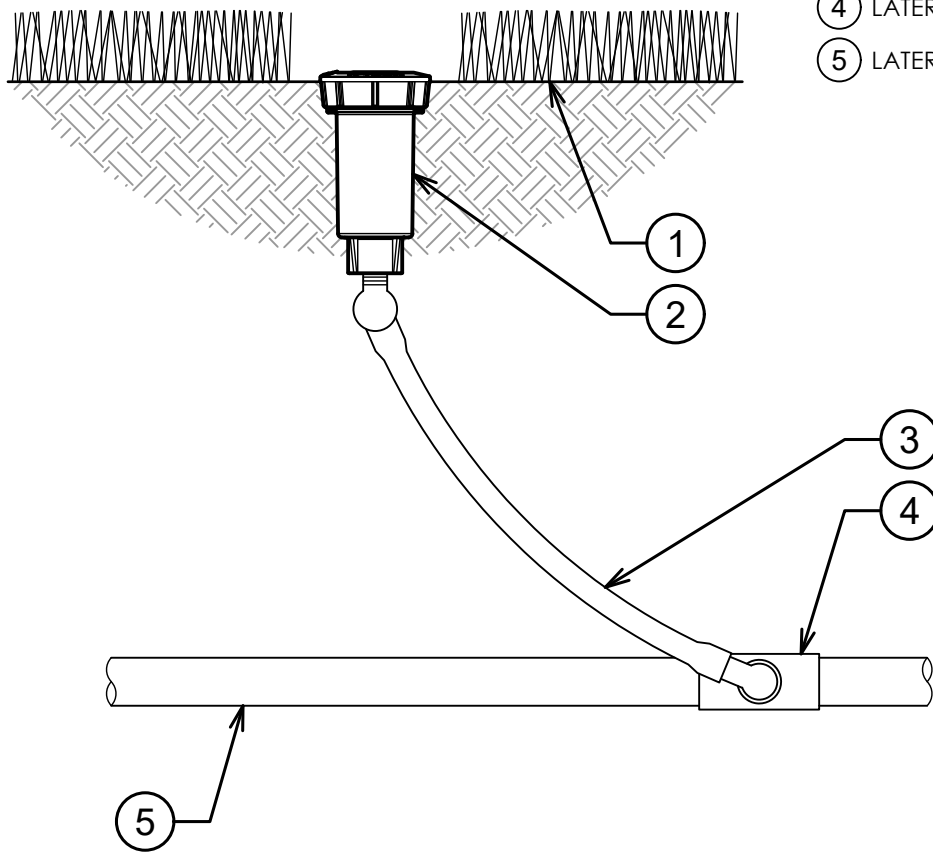
3" = 1'-0"

[www.krain.com](http://www.krain.com)

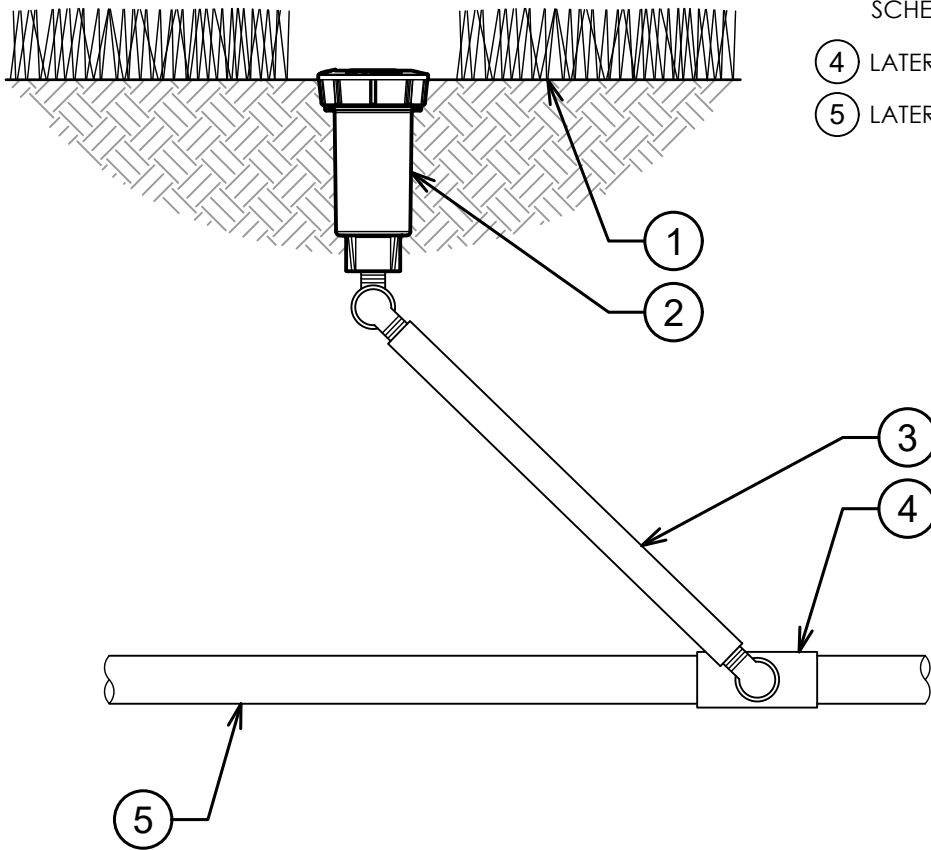
- ① FINISH GRADE
- ② K-RAIN PRO-S SPRAY  
MODEL 78002:  
2" POP-UP SPRAY
- ③ 1/2" RIGID SWING JOINT:  
SCHEDULE 80 NIPPLE,  
SCHEDULE 40 STREET ELLS
- ④ LATERAL TEE OR ELL
- ⑤ LATERAL PIPE

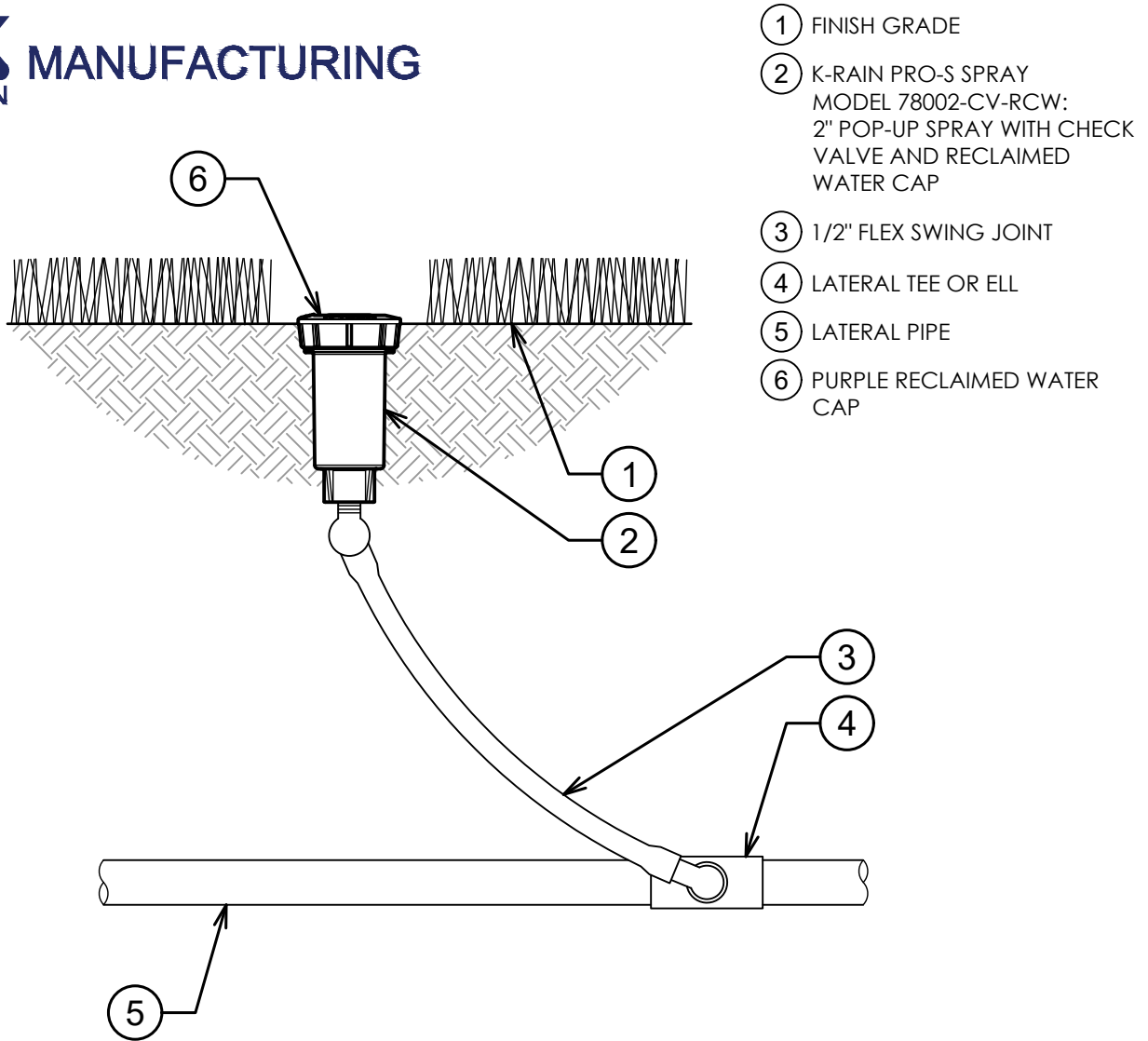


- ① FINISH GRADE
- ② K-RAIN PRO-S SPRAY  
MODEL 78002-CV:  
2" POP-UP SPRAY WITH CHECK  
VALVE
- ③ 1/2" FLEX SWING JOINT
- ④ LATERAL TEE OR ELL
- ⑤ LATERAL PIPE



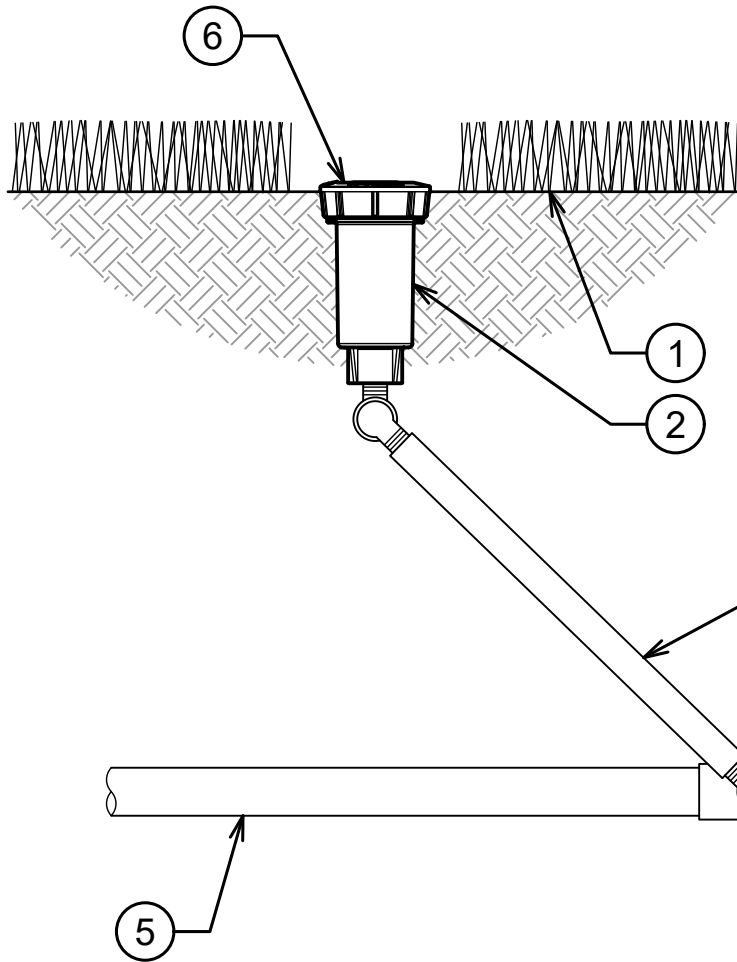
- ① FINISH GRADE
- ② K-RAIN PRO-S SPRAY  
MODEL 78002-CV:  
2" POP-UP SPRAY WITH CHECK  
VALVE
- ③ 1/2" RIGID SWING JOINT:  
SCHEDULE 80 NIPPLE,  
SCHEDULE 40 STREET ELLS
- ④ LATERAL TEE OR ELL
- ⑤ LATERAL PIPE



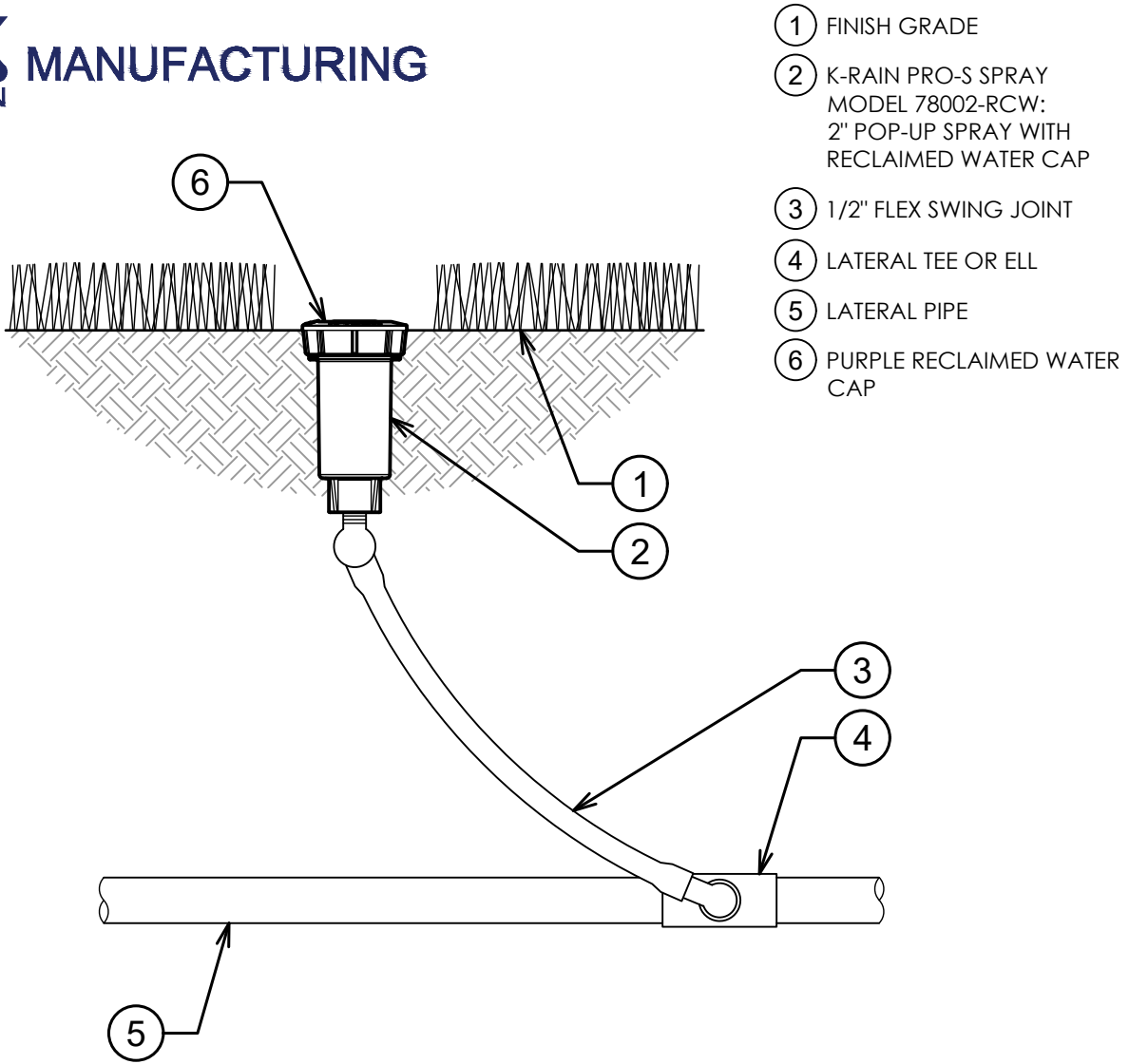


**K-RAIN PRO-S SPRAY WITH 2" POP-UP**

3" = 1'-0"

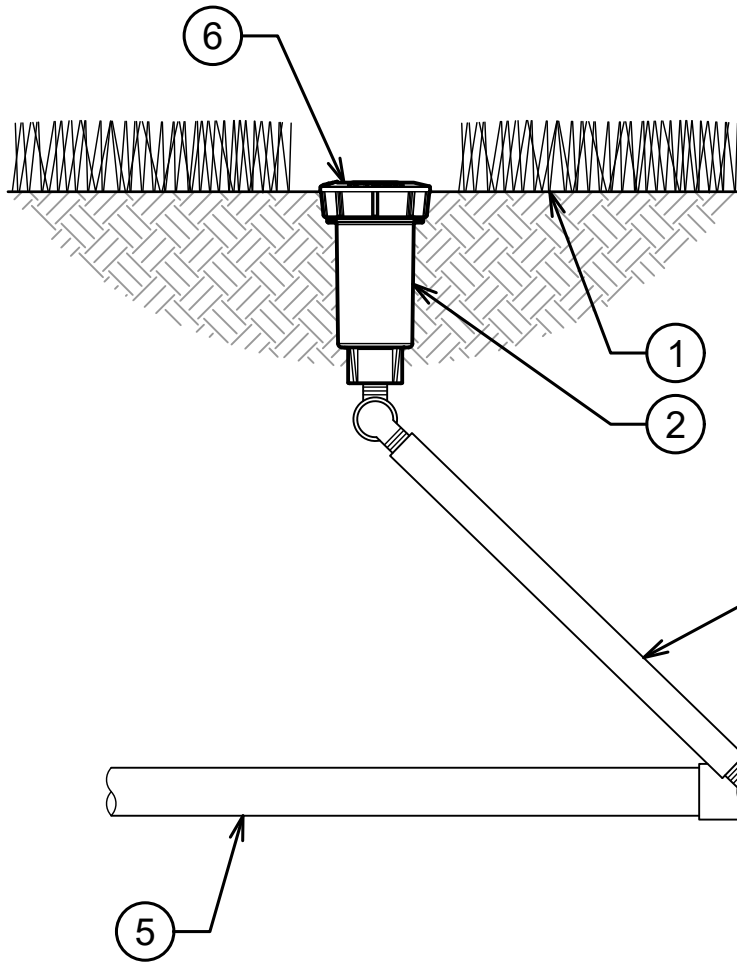


- ① FINISH GRADE
- ② K-RAIN PRO-S SPRAY  
MODEL 78002-CV-RCW:  
2" POP-UP SPRAY WITH CHECK  
VALVE AND RECLAIMED  
WATER CAP
- ③ 1/2" RIGID SWING JOINT:  
SCHEDULE 80 NIPPLE,  
SCHEDULE 40 STREET ELLS
- ④ LATERAL TEE OR ELL
- ⑤ LATERAL PIPE
- ⑥ PURPLE RECLAIMED WATER  
CAP



**K-RAIN PRO-S SPRAY WITH 2" POP-UP**

3" = 1'-0"



- ① FINISH GRADE
- ② K-RAIN PRO-S SPRAY  
MODEL 78002-RCW:  
2" POP-UP SPRAY WITH  
RECLAIMED WATER CAP
- ③ 1/2" RIGID SWING JOINT:  
SCHEDULE 80 NIPPLE,  
SCHEDULE 40 STREET ELLS
- ④ LATERAL TEE OR ELL
- ⑤ LATERAL PIPE
- ⑥ PURPLE RECLAIMED WATER  
CAP