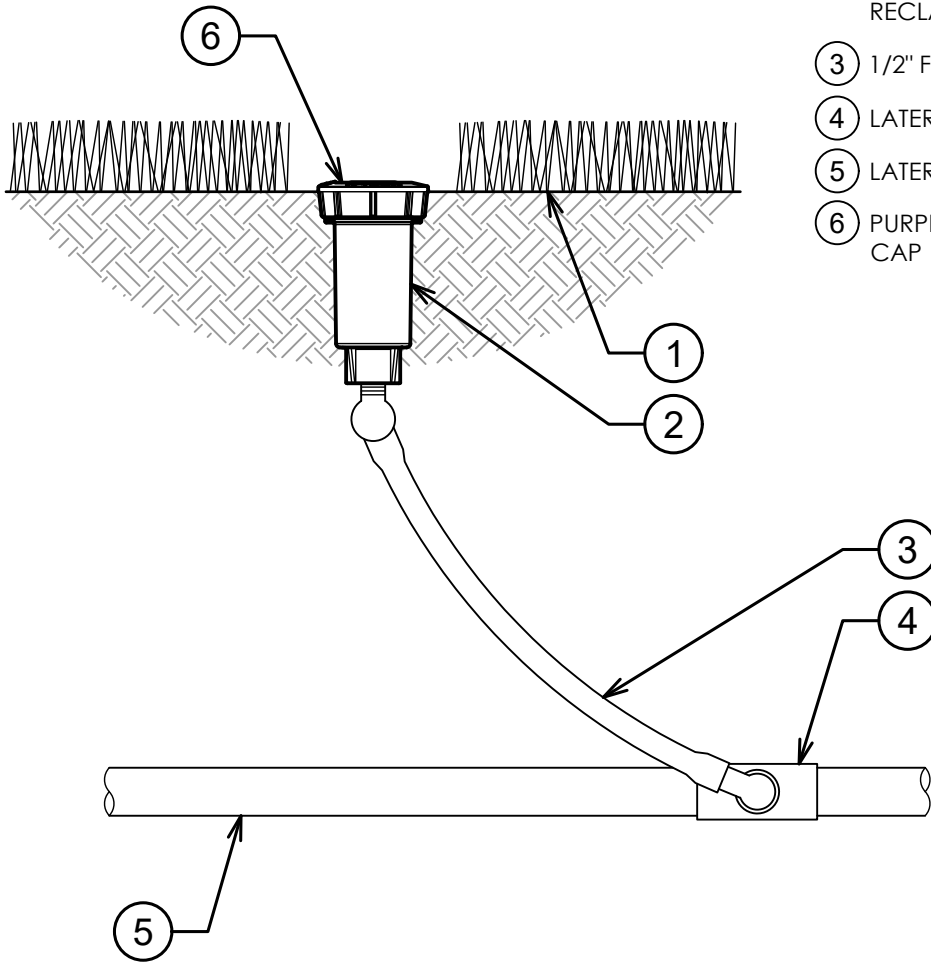


- ① FINISH GRADE
- ② K-RAIN PRO-S SPRAY
MODEL 78002-RCW:
2" POP-UP SPRAY WITH
RECLAIMED WATER CAP
- ③ 1/2" FLEX SWING JOINT
- ④ LATERAL TEE OR ELL
- ⑤ LATERAL PIPE
- ⑥ PURPLE RECLAIMED WATER
CAP



00

K-RAIN PRO-S SPRAY WITH 2" POP-UP

3" = 1'-0"

www.krain.com