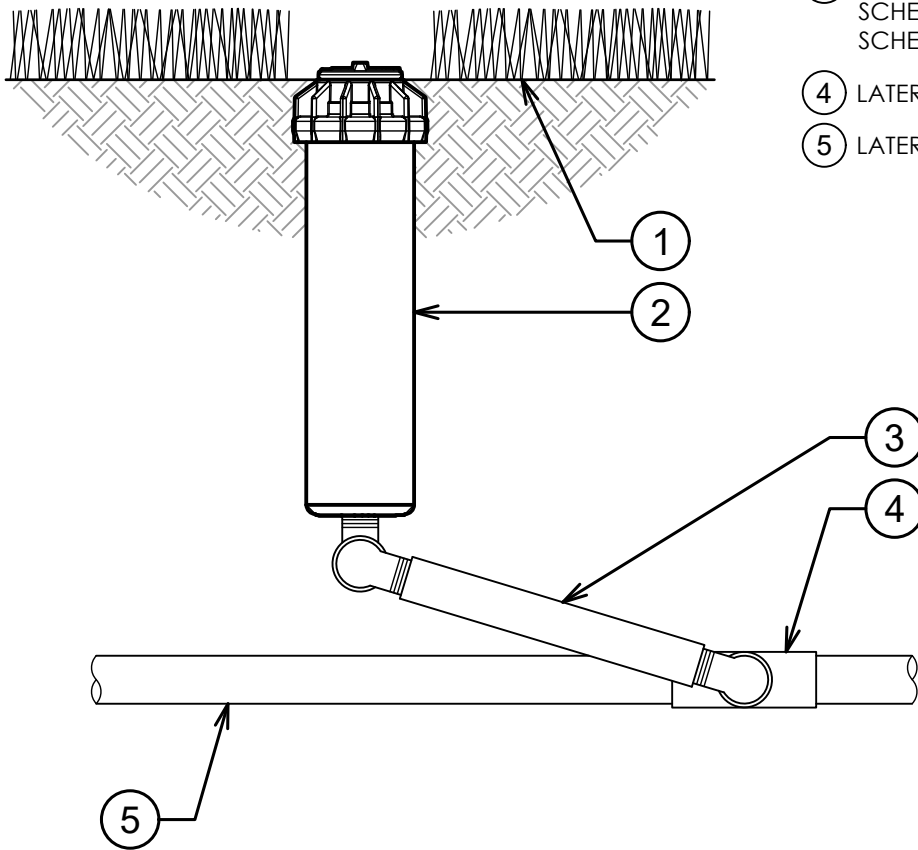


- ① FINISH GRADE
- ② K-RAIN RPS75i GEAR DRIVE ROTOR MODEL RPS75i-6INCH: 6" POP-UP ROTOR WITH INTELLIGENT FLOW TECHNOLOGY™
- ③ 3/4" RIGID SWING JOINT: SCHEDULE 80 NIPPLE, SCHEDULE 40 STREET ELLS
- ④ LATERAL TEE OR ELL
- ⑤ LATERAL PIPE



00

K-RAIN RPS75i ROTOR WITH 6" POP-UP

3" = 1'-0"