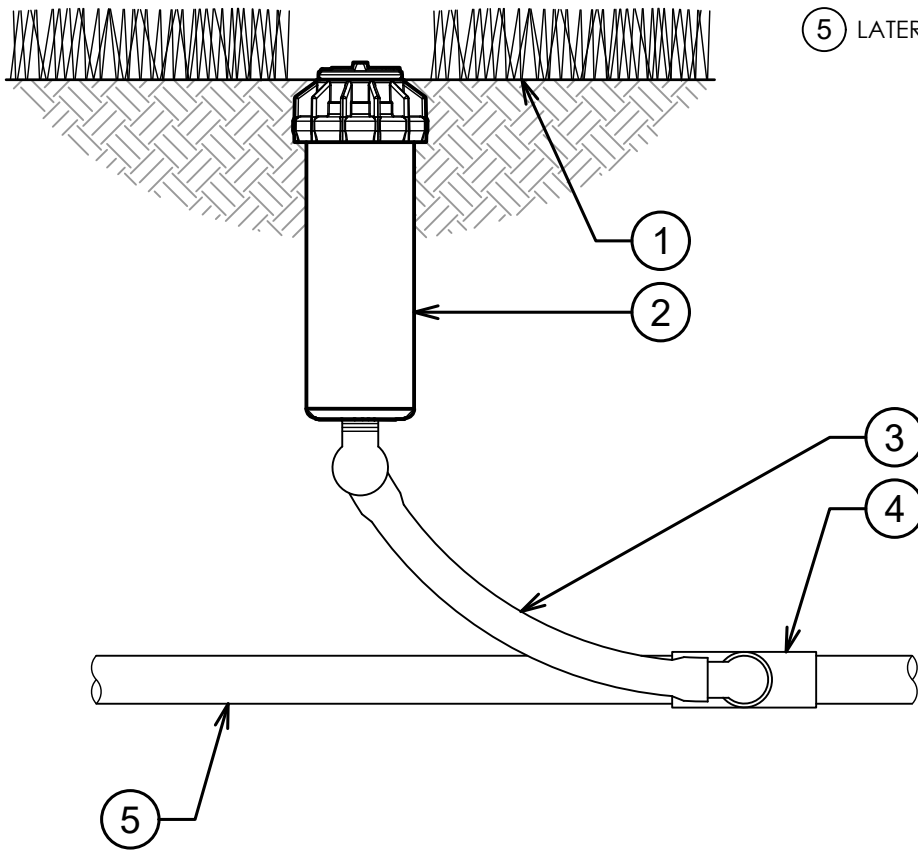


- ① FINISH GRADE
- ② K-RAIN RPS75 GEAR DRIVE ROTOR MODEL RPS75: 4" POP-UP ROTOR
- ③ 3/4" FLEX SWING JOINT
- ④ LATERAL TEE OR ELL
- ⑤ LATERAL PIPE



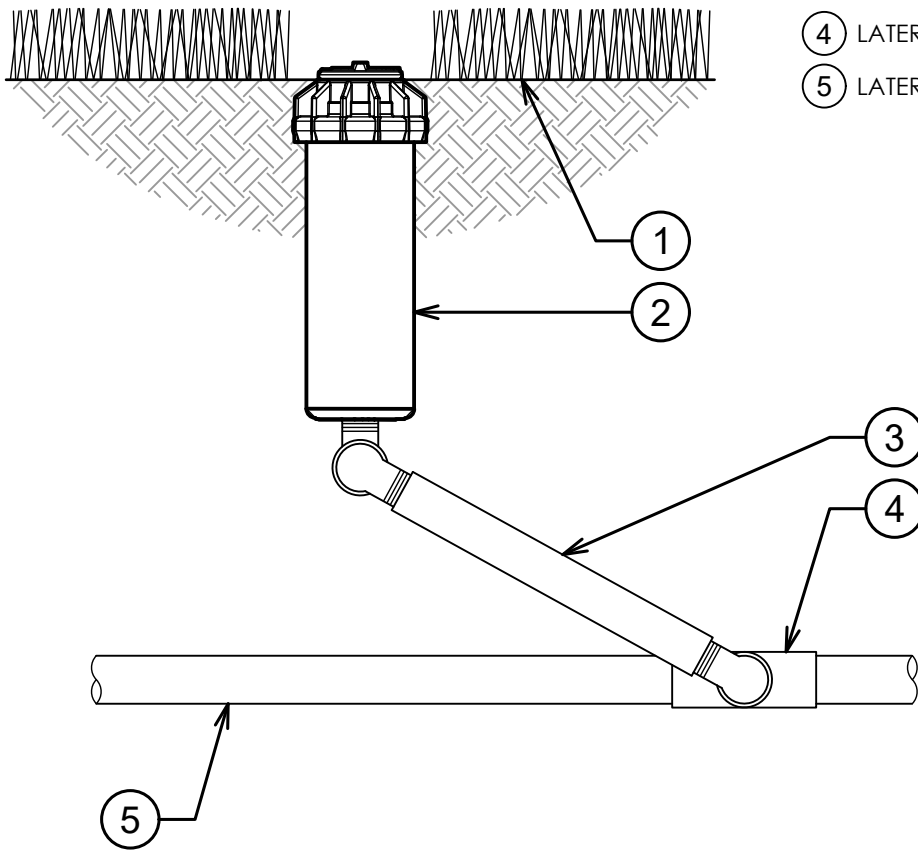
00

K-RAIN RPS75 ROTOR WITH 4" POP-UP

3" = 1'-0"

www.krain.com

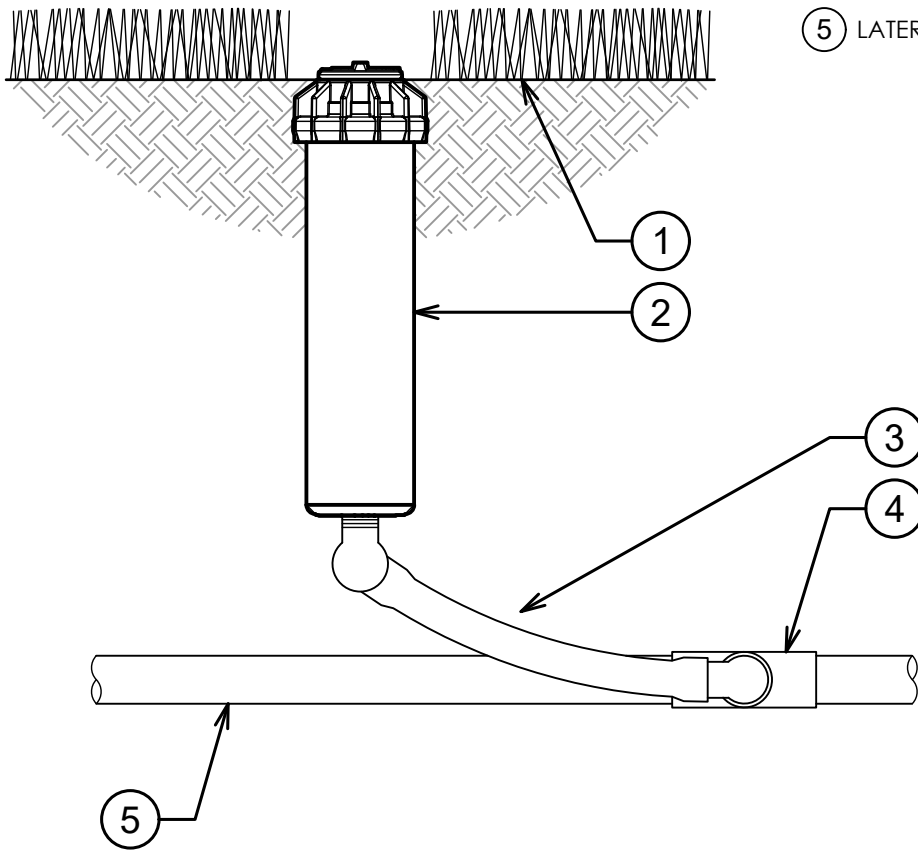
- ① FINISH GRADE
- ② K-RAIN RPS75 GEAR DRIVE ROTOR MODEL RPS75: 4" POP-UP ROTOR
- ③ 3/4" RIGID SWING JOINT: SCHEDULE 80 NIPPLE, SCHEDULE 40 STREET ELLS
- ④ LATERAL TEE OR ELL
- ⑤ LATERAL PIPE



K-RAIN RPS75 ROTOR WITH 4" POP-UP

3" = 1'-0"

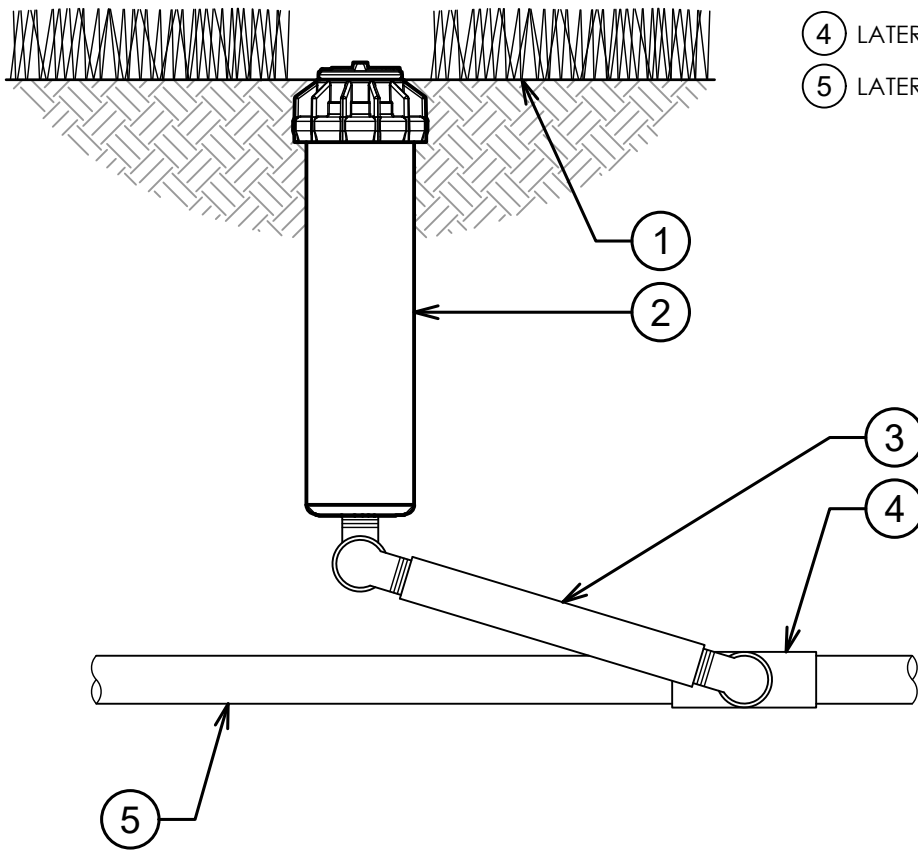
- ① FINISH GRADE
- ② K-RAIN RPS75 GEAR DRIVE ROTOR MODEL RPS75-6INCH: 6" POP-UP ROTOR
- ③ 3/4" FLEX SWING JOINT
- ④ LATERAL TEE OR ELL
- ⑤ LATERAL PIPE



K-RAIN RPS75 ROTOR WITH 6" POP-UP

3" = 1'-0"

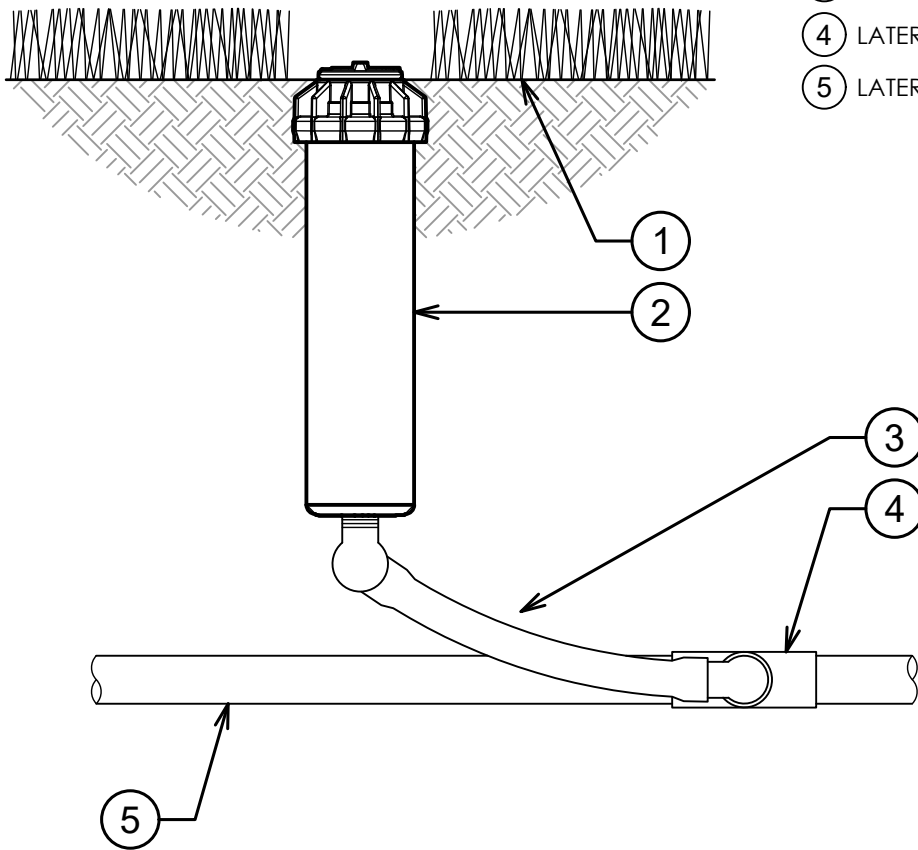
- ① FINISH GRADE
- ② K-RAIN RPS75 GEAR DRIVE ROTOR MODEL RPS75-6INCH: 6" POP-UP ROTOR
- ③ 3/4" RIGID SWING JOINT: SCHEDULE 80 NIPPLE, SCHEDULE 40 STREET ELLS
- ④ LATERAL TEE OR ELL
- ⑤ LATERAL PIPE



K-RAIN RPS75 ROTOR WITH 6" POP-UP

3" = 1'-0"

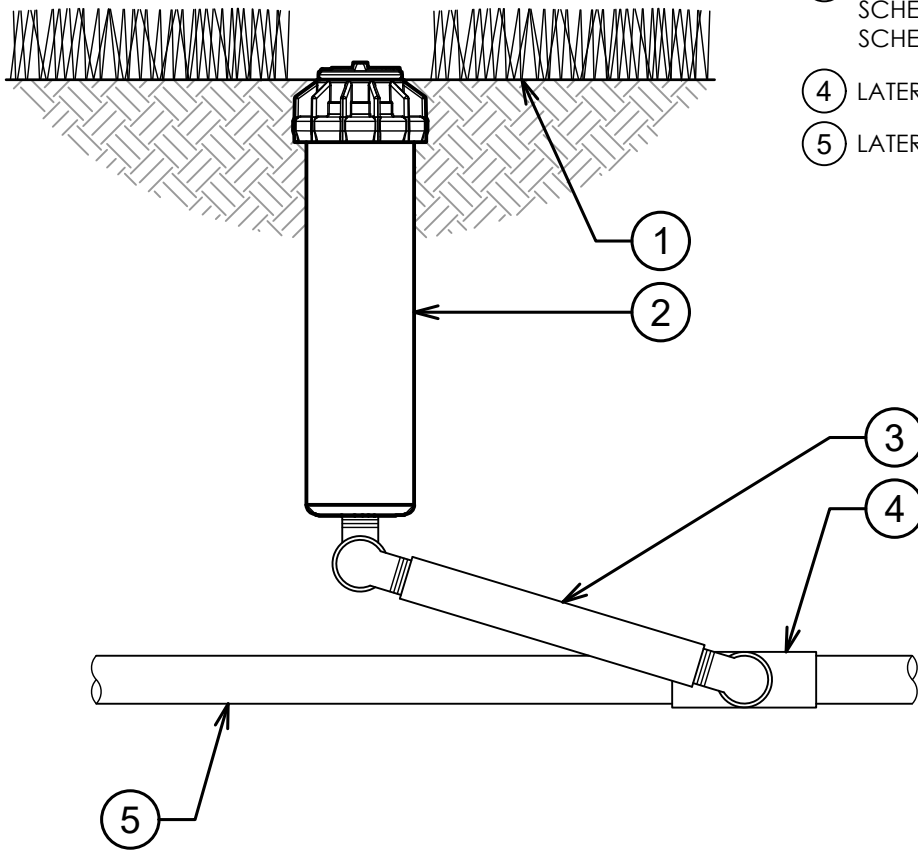
- ① FINISH GRADE
- ② K-RAIN RPS75 GEAR DRIVE ROTOR MODEL RPS75-6INCH-CV: 6" POP-UP ROTOR WITH CHECK VALVE
- ③ 3/4" FLEX SWING JOINT
- ④ LATERAL TEE OR ELL
- ⑤ LATERAL PIPE



K-RAIN RPS75 ROTOR WITH 6" POP-UP

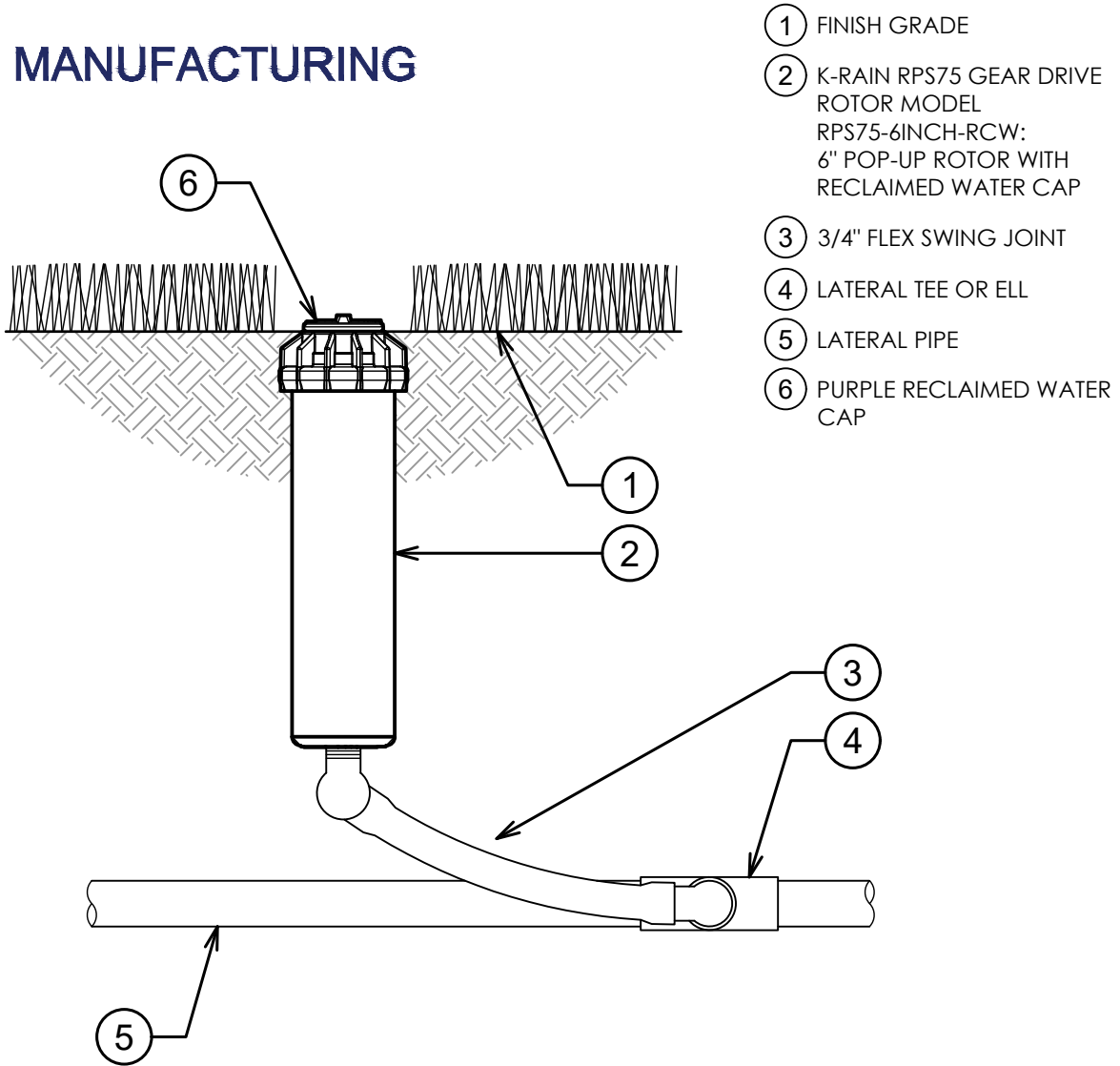
3" = 1'-0"

- ① FINISH GRADE
- ② K-RAIN RPS75 GEAR DRIVE ROTOR MODEL RPS75-6INCH-CV: 6" POP-UP ROTOR WITH CHECK VALVE
- ③ 3/4" RIGID SWING JOINT: SCHEDULE 80 NIPPLE, SCHEDULE 40 STREET ELLS
- ④ LATERAL TEE OR ELL
- ⑤ LATERAL PIPE



K-RAIN RPS75 ROTOR WITH 6" POP-UP

3" = 1'-0"

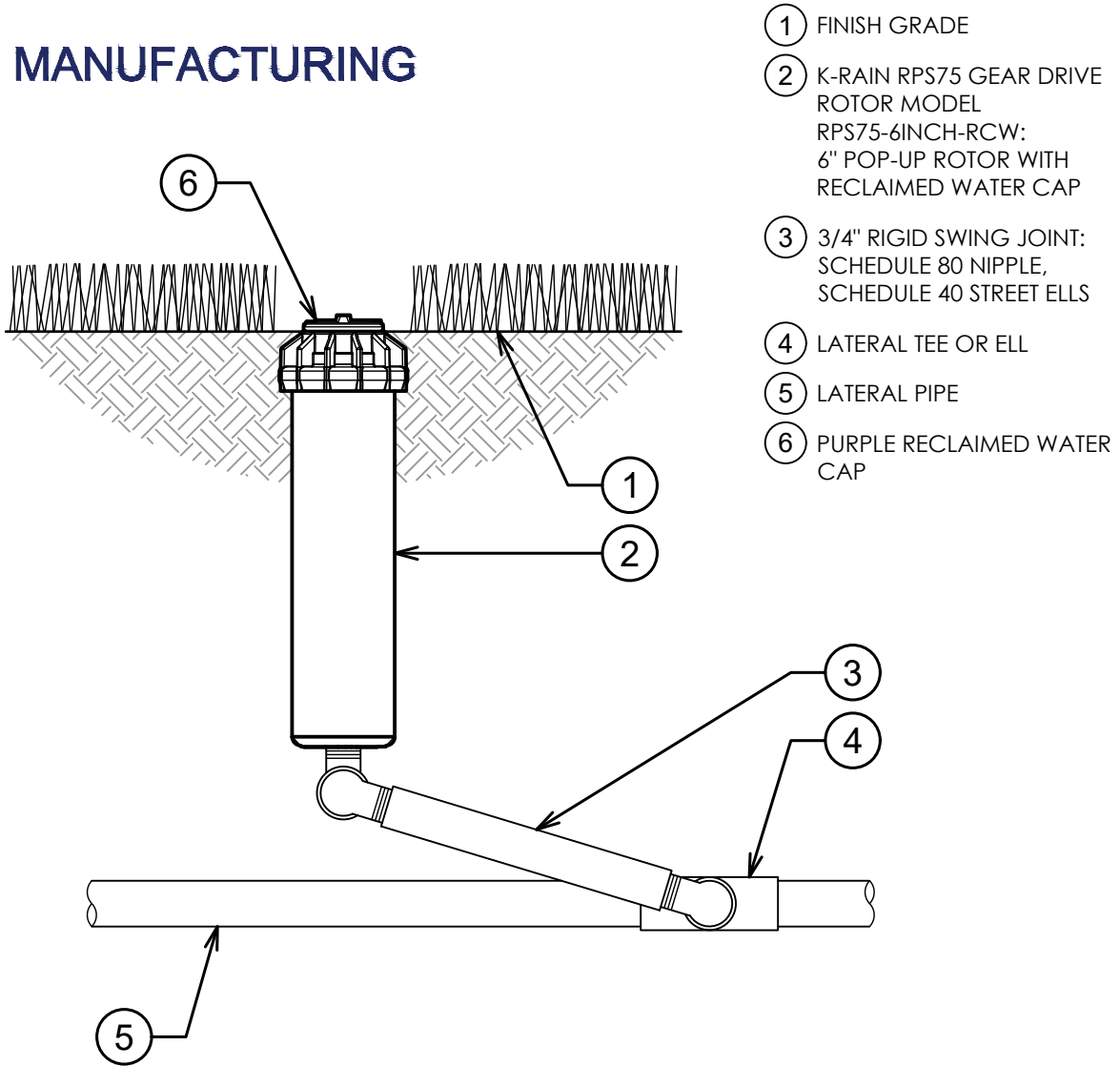


- ① FINISH GRADE
- ② K-RAIN RPS75 GEAR DRIVE ROTOR MODEL RPS75-6INCH-RCW: 6" POP-UP ROTOR WITH RECLAIMED WATER CAP
- ③ 3/4" FLEX SWING JOINT
- ④ LATERAL TEE OR ELL
- ⑤ LATERAL PIPE
- ⑥ PURPLE RECLAIMED WATER CAP



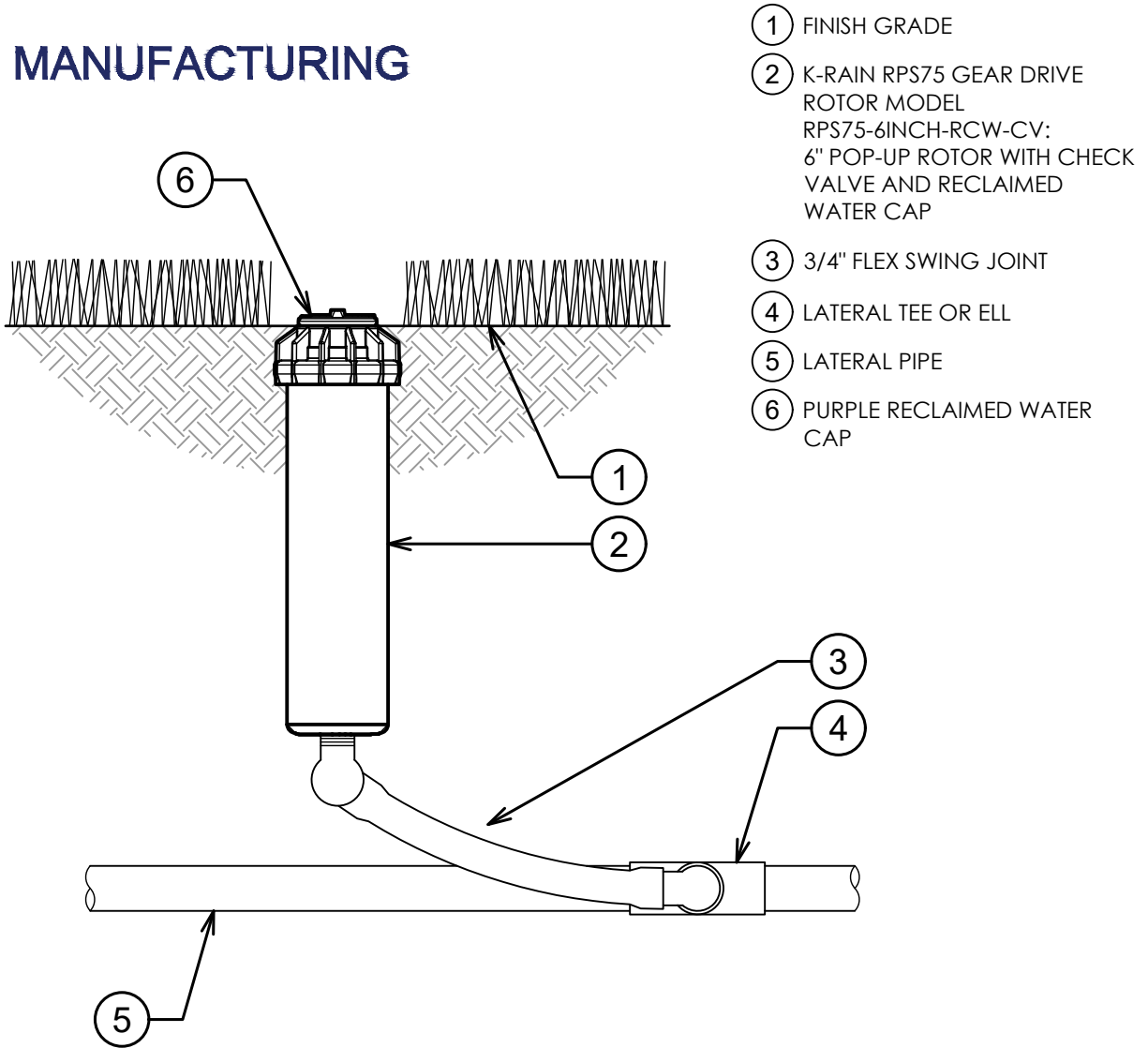
K-RAIN RPS75 ROTOR WITH 6" POP-UP

3" = 1'-0"



K-RAIN RPS75 ROTOR WITH 6" POP-UP

3" = 1'-0"

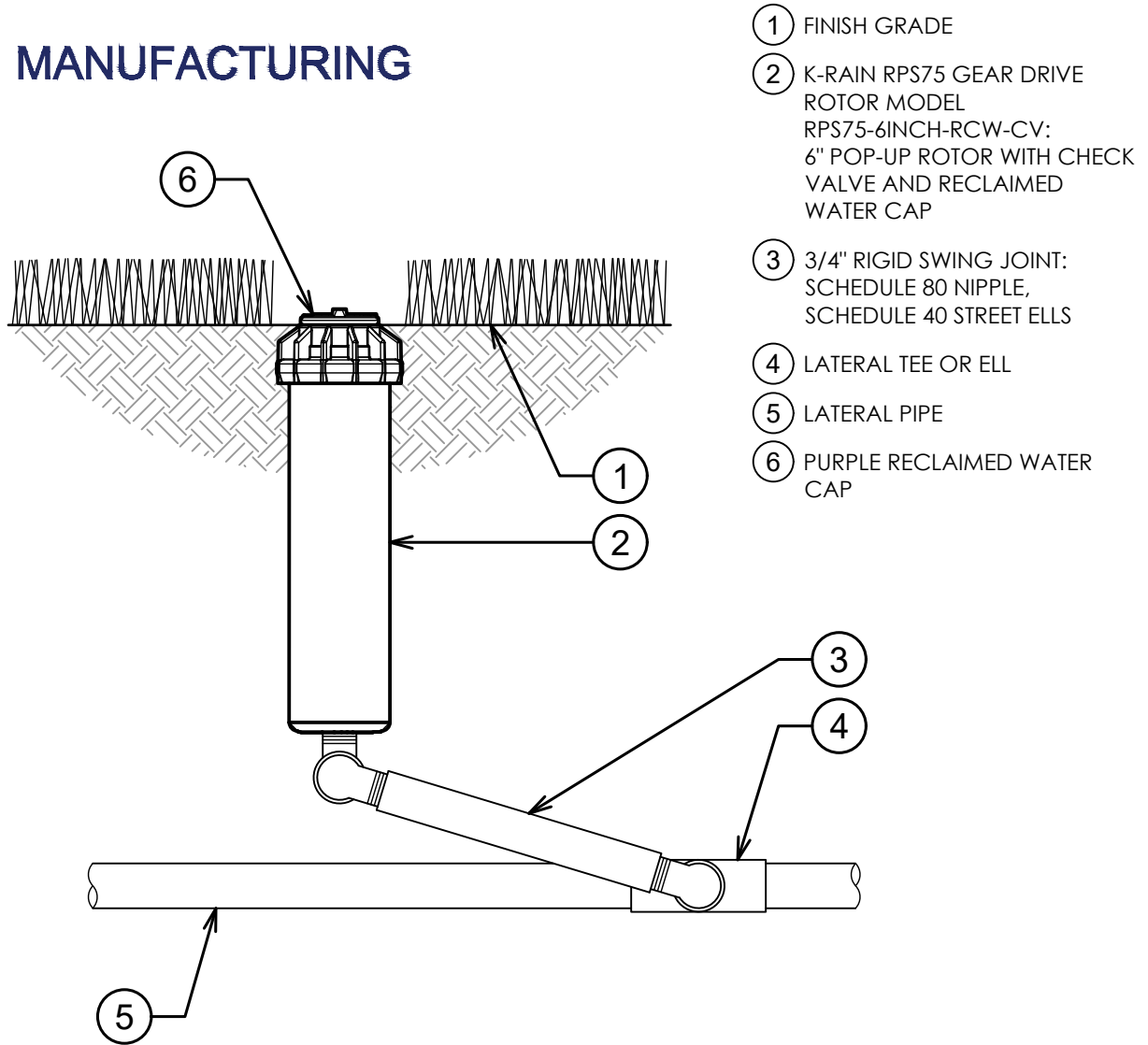


- ① FINISH GRADE
- ② K-RAIN RPS75 GEAR DRIVE ROTOR MODEL RPS75-6INCH-RCW-CV: 6" POP-UP ROTOR WITH CHECK VALVE AND RECLAIMED WATER CAP
- ③ 3/4" FLEX SWING JOINT
- ④ LATERAL TEE OR ELL
- ⑤ LATERAL PIPE
- ⑥ PURPLE RECLAIMED WATER CAP



K-RAIN RPS75 ROTOR WITH 6" POP-UP

3" = 1'-0"



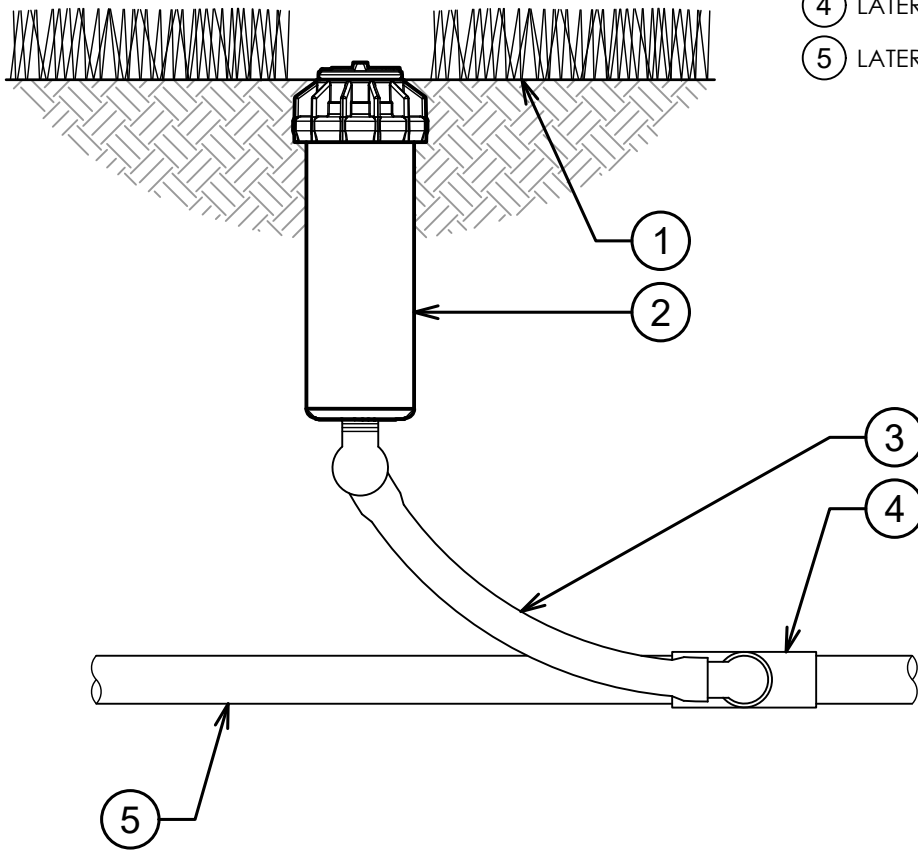
- ① FINISH GRADE
- ② K-RAIN RPS75 GEAR DRIVE ROTOR MODEL RPS75-6INCH-RCW-CV: 6" POP-UP ROTOR WITH CHECK VALVE AND RECLAIMED WATER CAP
- ③ 3/4" RIGID SWING JOINT: SCHEDULE 80 NIPPLE, SCHEDULE 40 STREET ELLS
- ④ LATERAL TEE OR ELL
- ⑤ LATERAL PIPE
- ⑥ PURPLE RECLAIMED WATER CAP



K-RAIN RPS75 ROTOR WITH 6" POP-UP

3" = 1'-0"

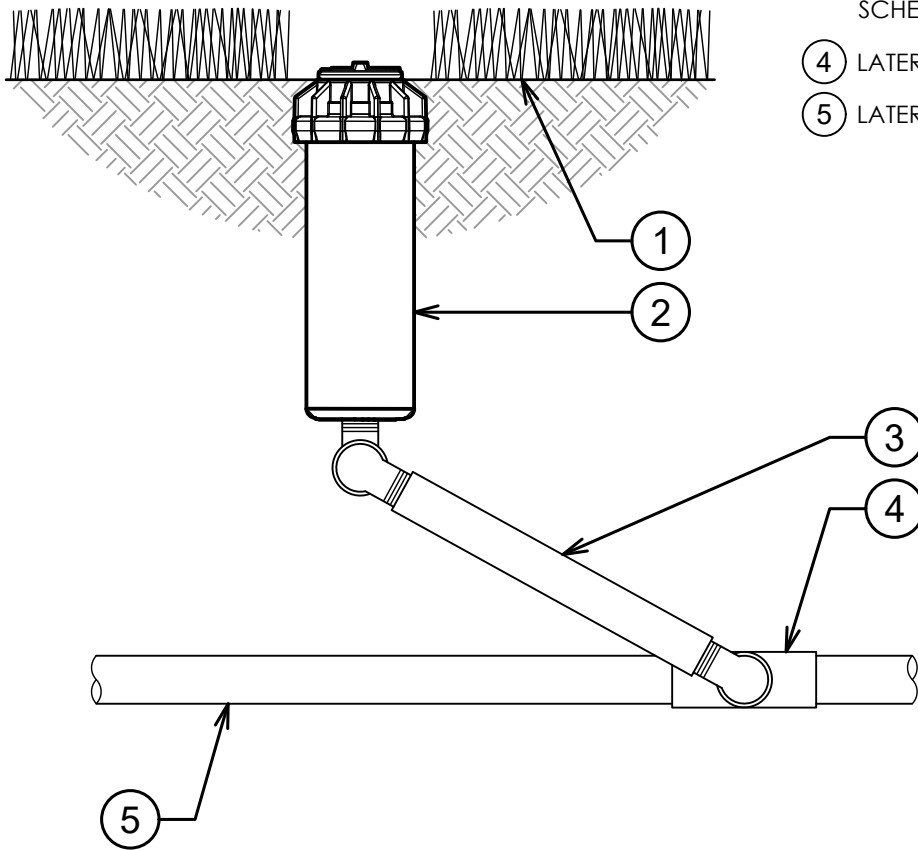
- ① FINISH GRADE
- ② K-RAIN RPS75 GEAR DRIVE ROTOR MODEL RPS75-CV: 4" POP-UP ROTOR WITH CHECK VALVE
- ③ 3/4" FLEX SWING JOINT
- ④ LATERAL TEE OR ELL
- ⑤ LATERAL PIPE



K-RAIN RPS75 ROTOR WITH 4" POP-UP

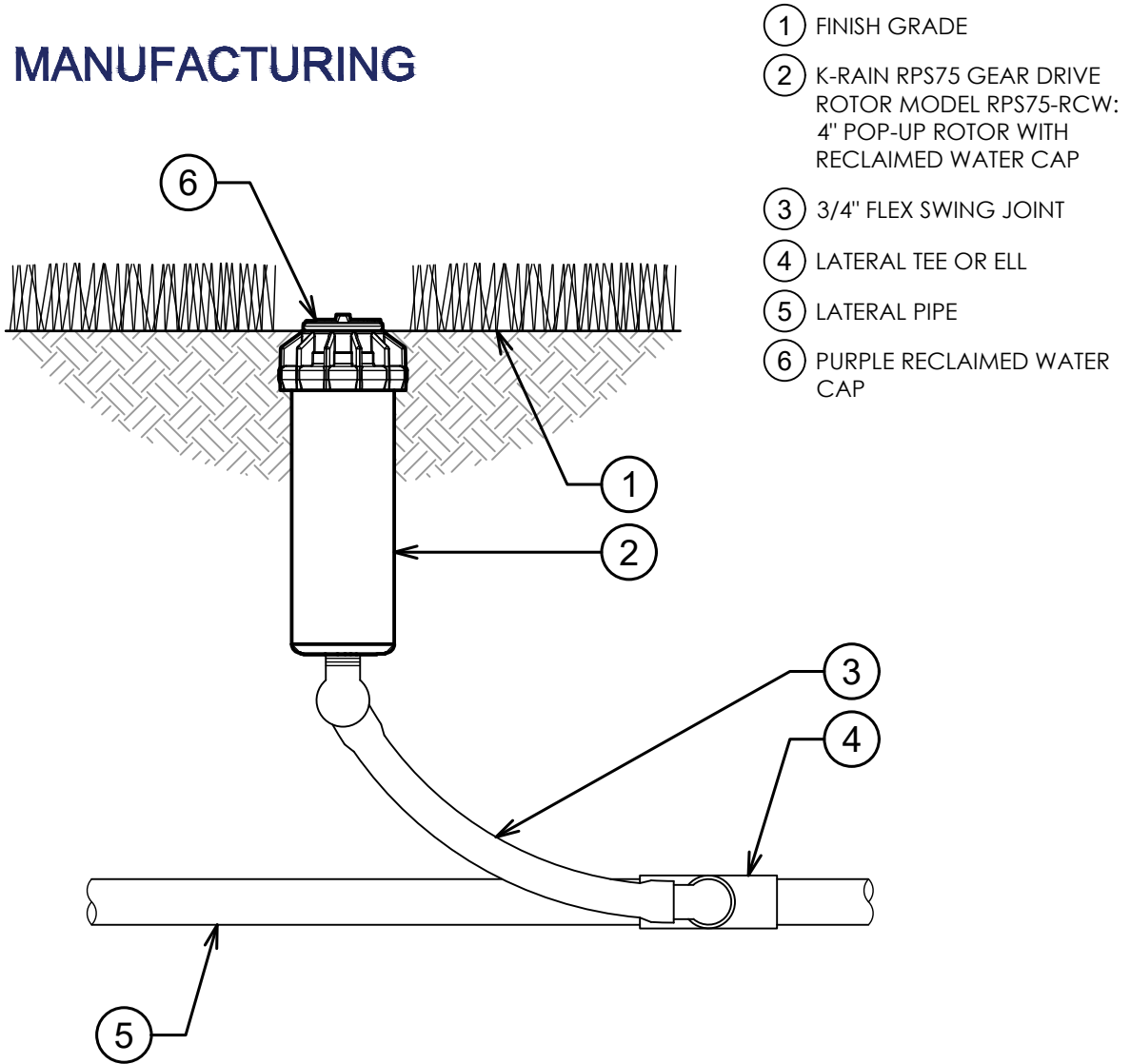
3" = 1'-0"

- ① FINISH GRADE
- ② K-RAIN RPS75 GEAR DRIVE ROTOR MODEL RPS75-CV: 4" POP-UP ROTOR WITH CHECK VALVE
- ③ 3/4" RIGID SWING JOINT: SCHEDULE 80 NIPPLE, SCHEDULE 40 STREET ELLS
- ④ LATERAL TEE OR ELL
- ⑤ LATERAL PIPE



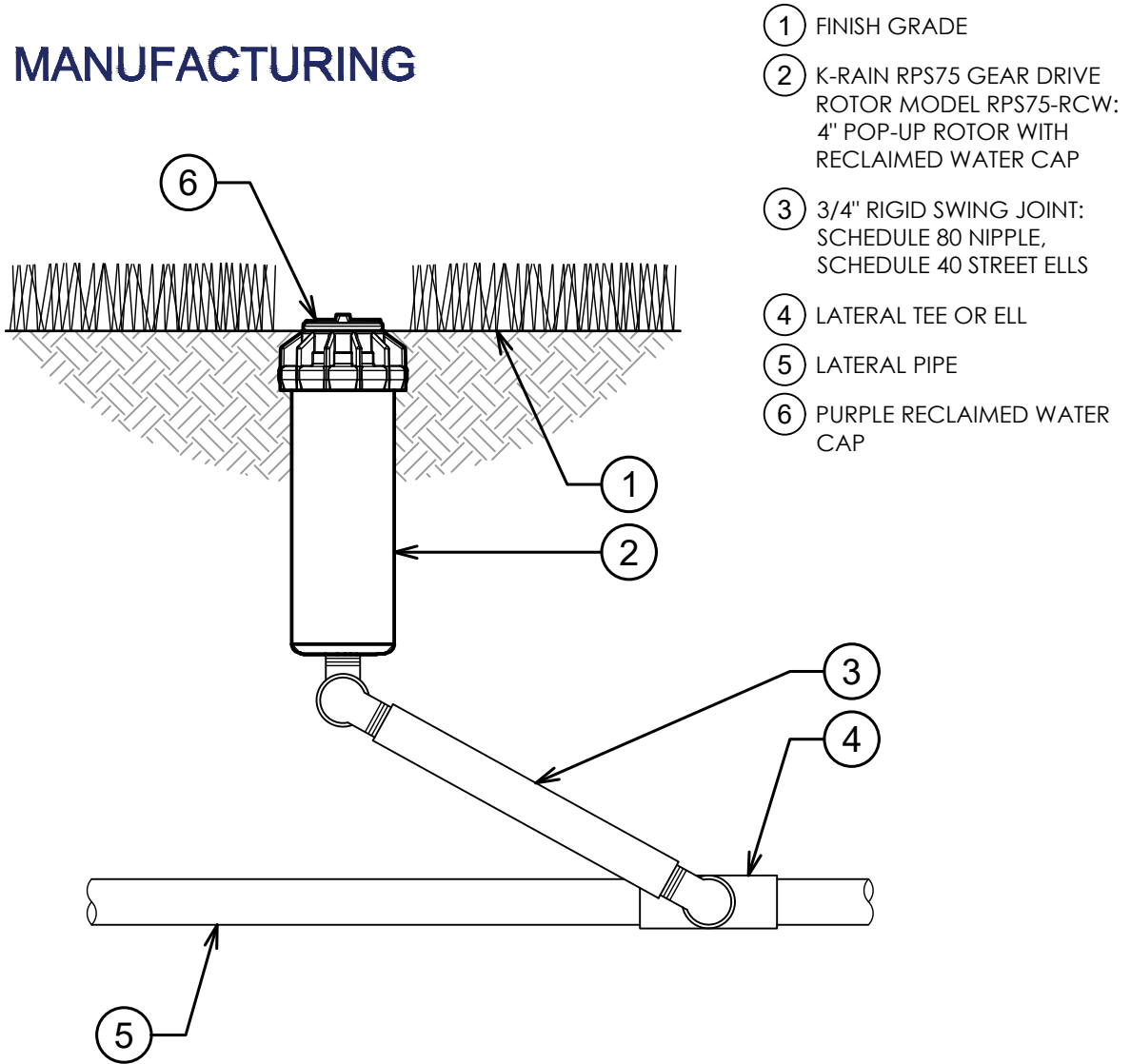
K-RAIN RPS75 ROTOR WITH 4" POP-UP

3" = 1'-0"



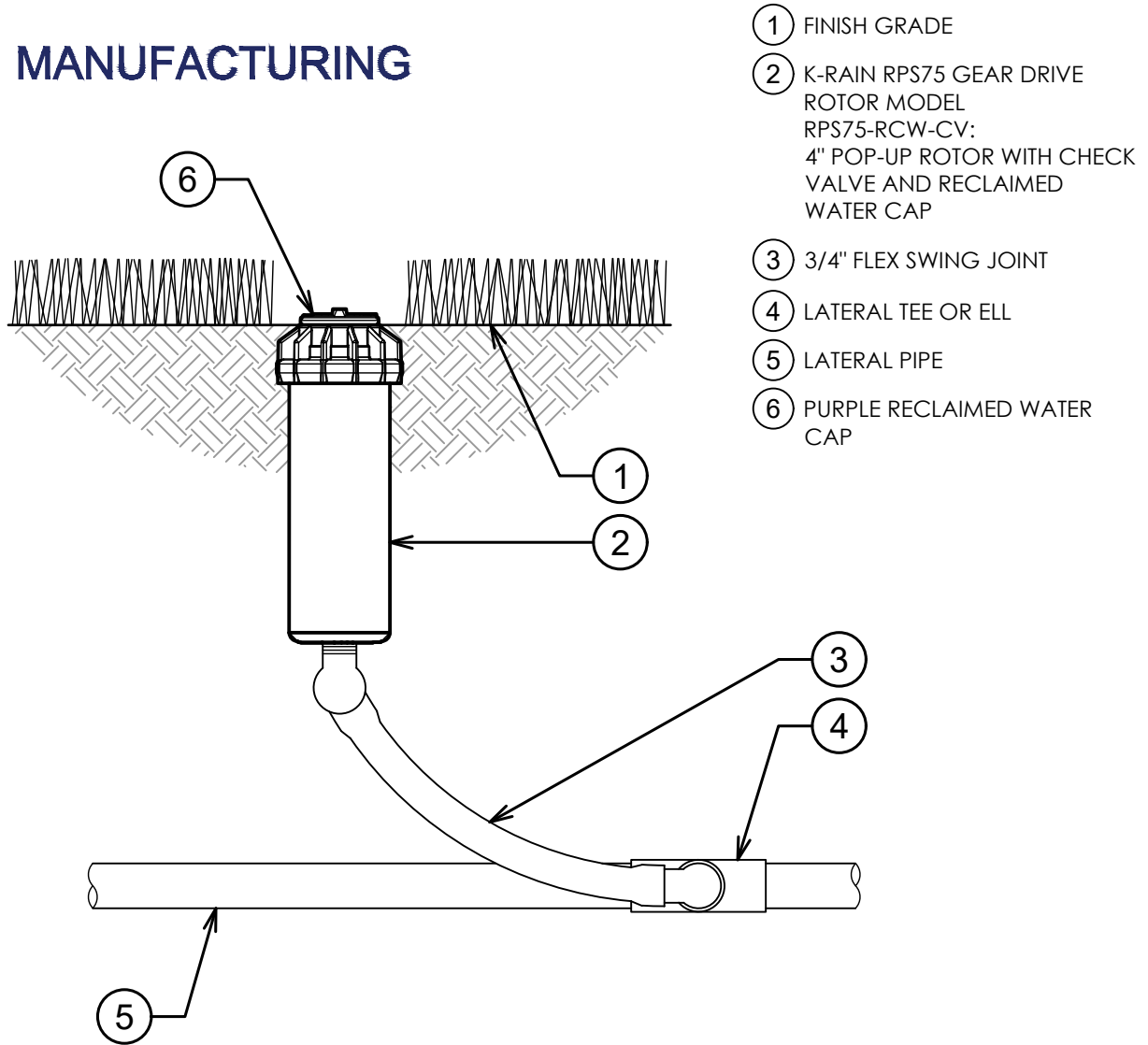
K-RAIN RPS75 ROTOR WITH 4" POP-UP

3" = 1'-0"



K-RAIN RPS75 ROTOR WITH 4" POP-UP

3" = 1'-0"

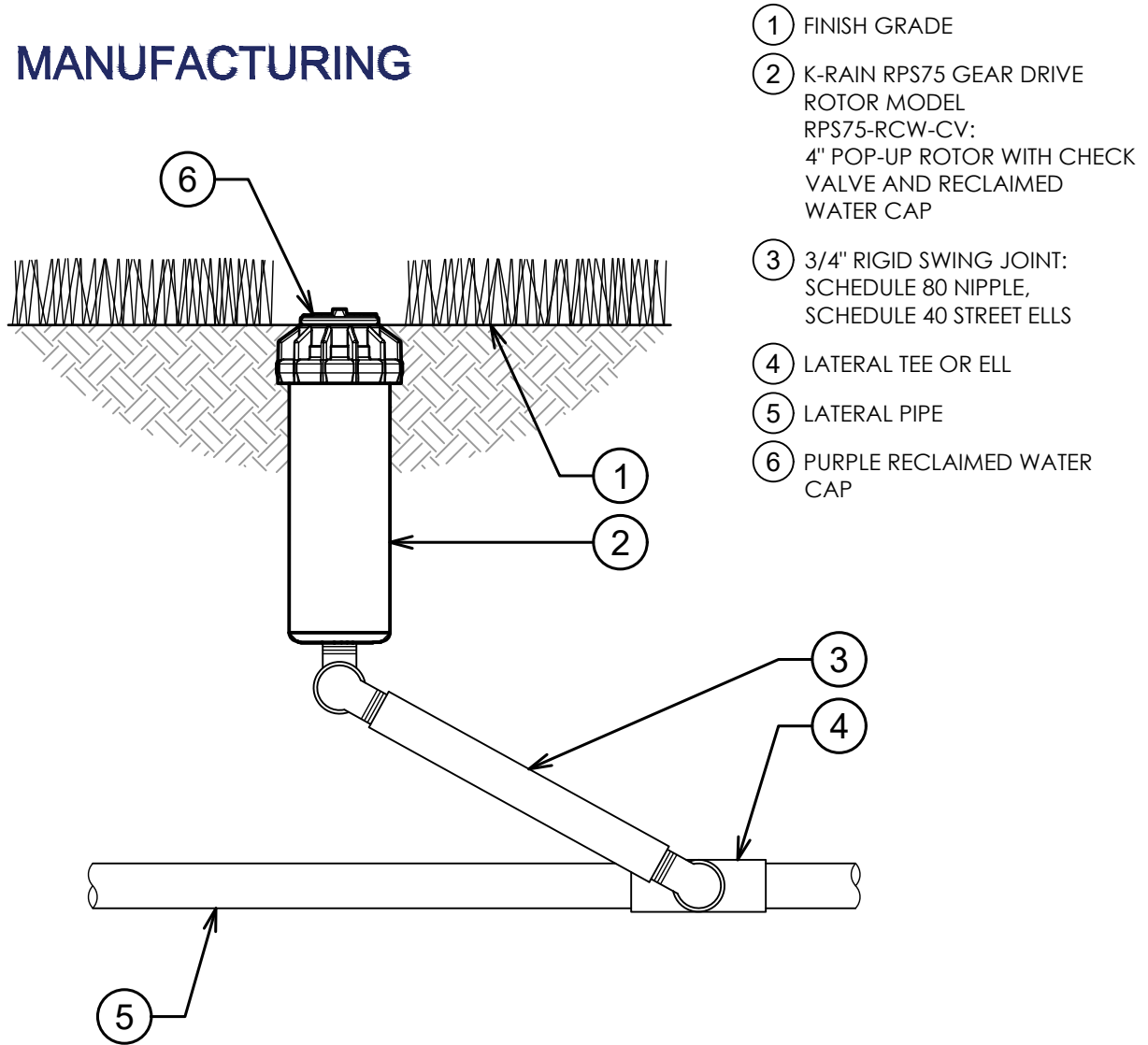


- ① FINISH GRADE
- ② K-RAIN RPS75 GEAR DRIVE ROTOR MODEL RPS75-RCW-CV: 4" POP-UP ROTOR WITH CHECK VALVE AND RECLAIMED WATER CAP
- ③ 3/4" FLEX SWING JOINT
- ④ LATERAL TEE OR ELL
- ⑤ LATERAL PIPE
- ⑥ PURPLE RECLAIMED WATER CAP



K-RAIN RPS75 ROTOR WITH 4" POP-UP

3" = 1'-0"

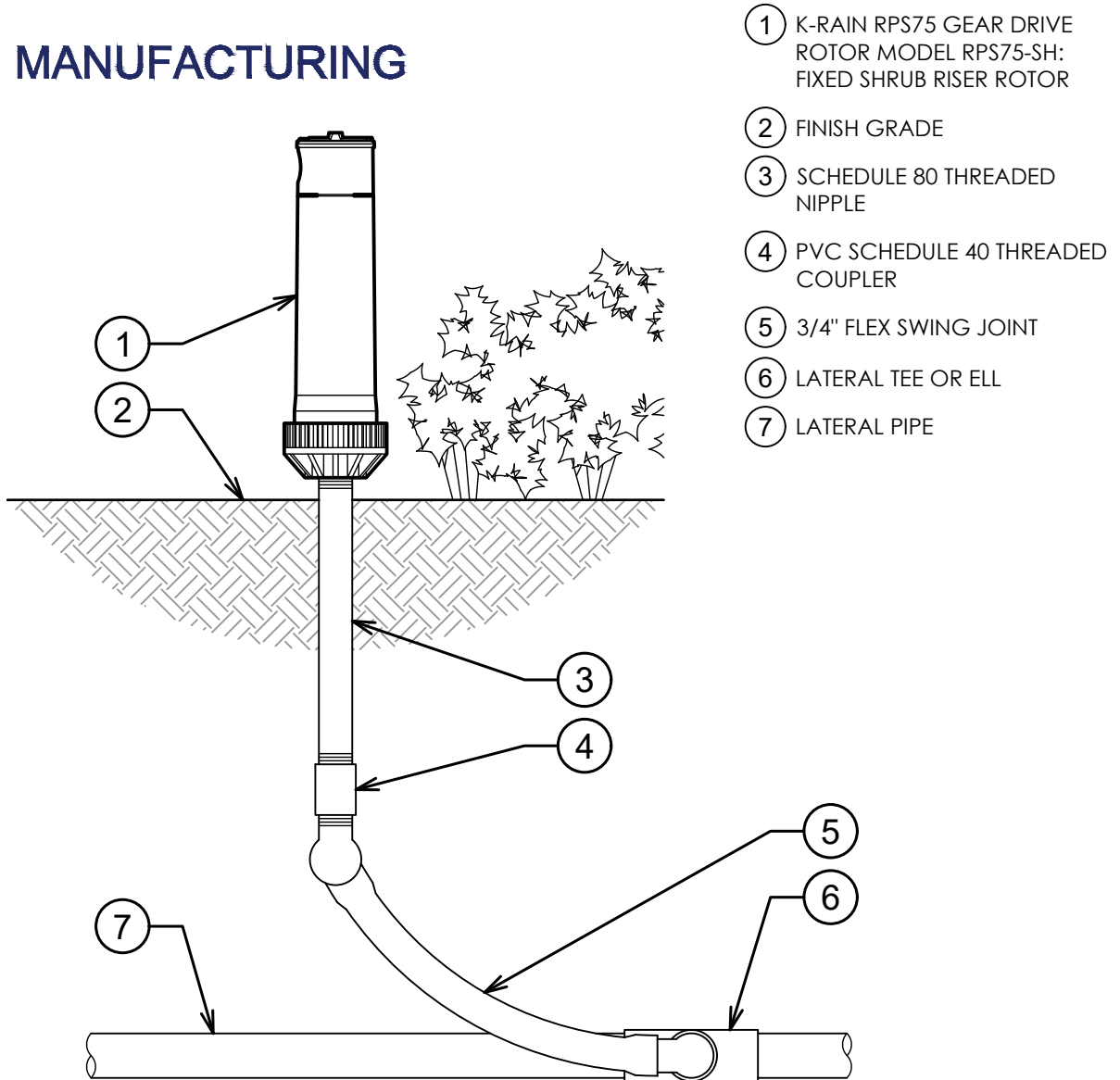


- ① FINISH GRADE
- ② K-RAIN RPS75 GEAR DRIVE ROTOR MODEL RPS75-RCW-CV: 4" POP-UP ROTOR WITH CHECK VALVE AND RECLAIMED WATER CAP
- ③ 3/4" RIGID SWING JOINT: SCHEDULE 80 NIPPLE, SCHEDULE 40 STREET ELLS
- ④ LATERAL TEE OR ELL
- ⑤ LATERAL PIPE
- ⑥ PURPLE RECLAIMED WATER CAP

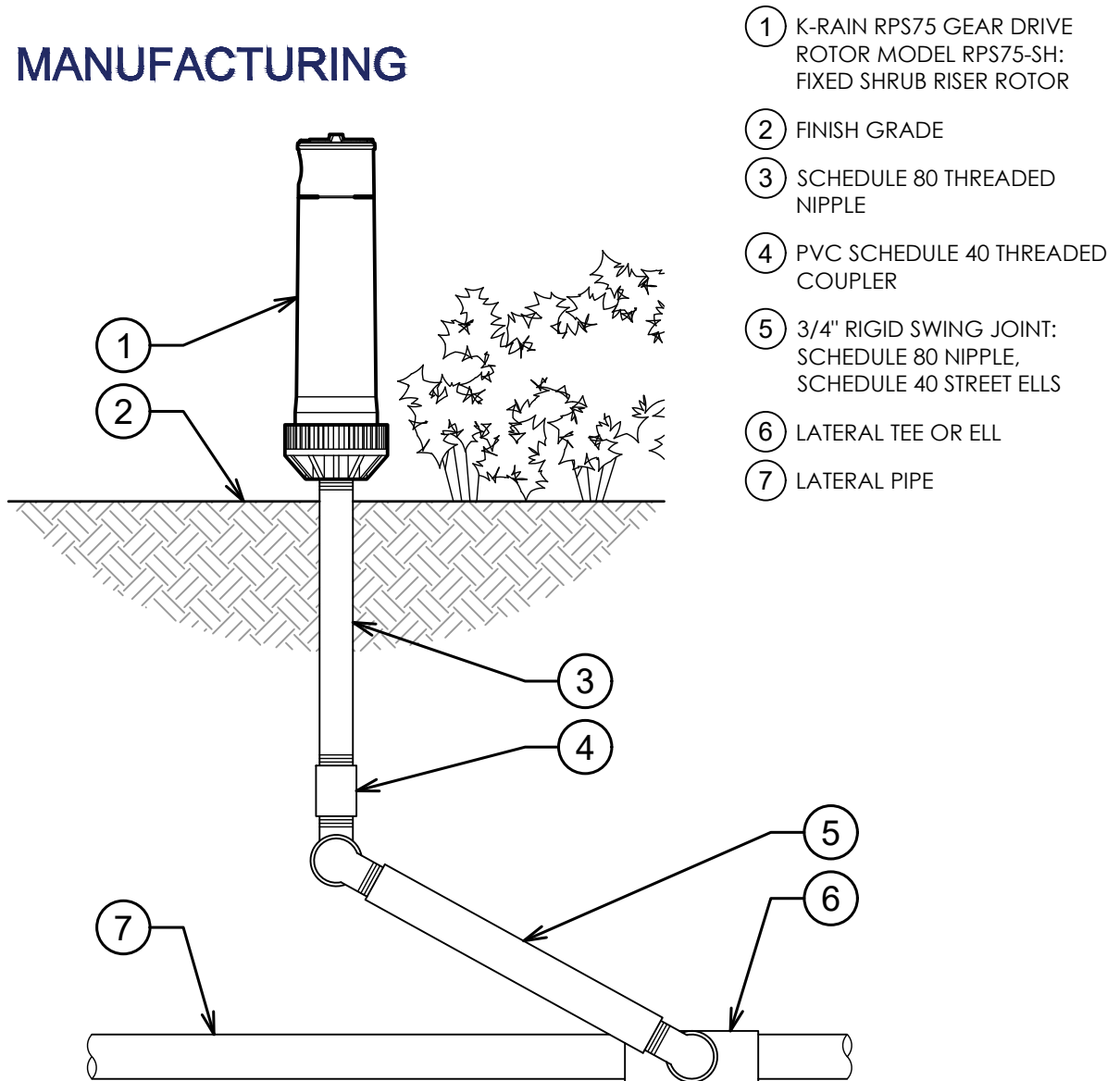


K-RAIN RPS75 ROTOR WITH 4" POP-UP

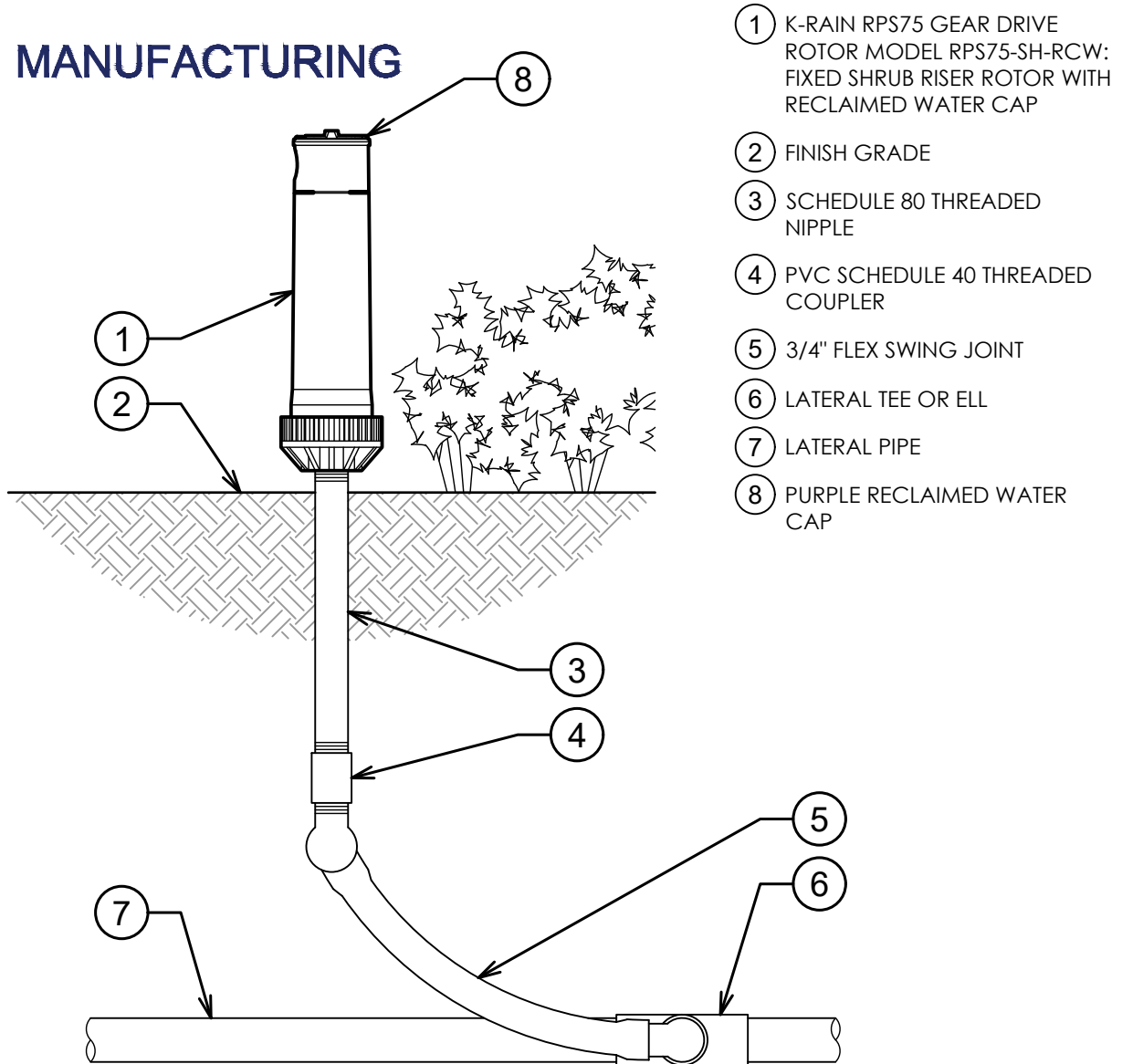
3" = 1'-0"



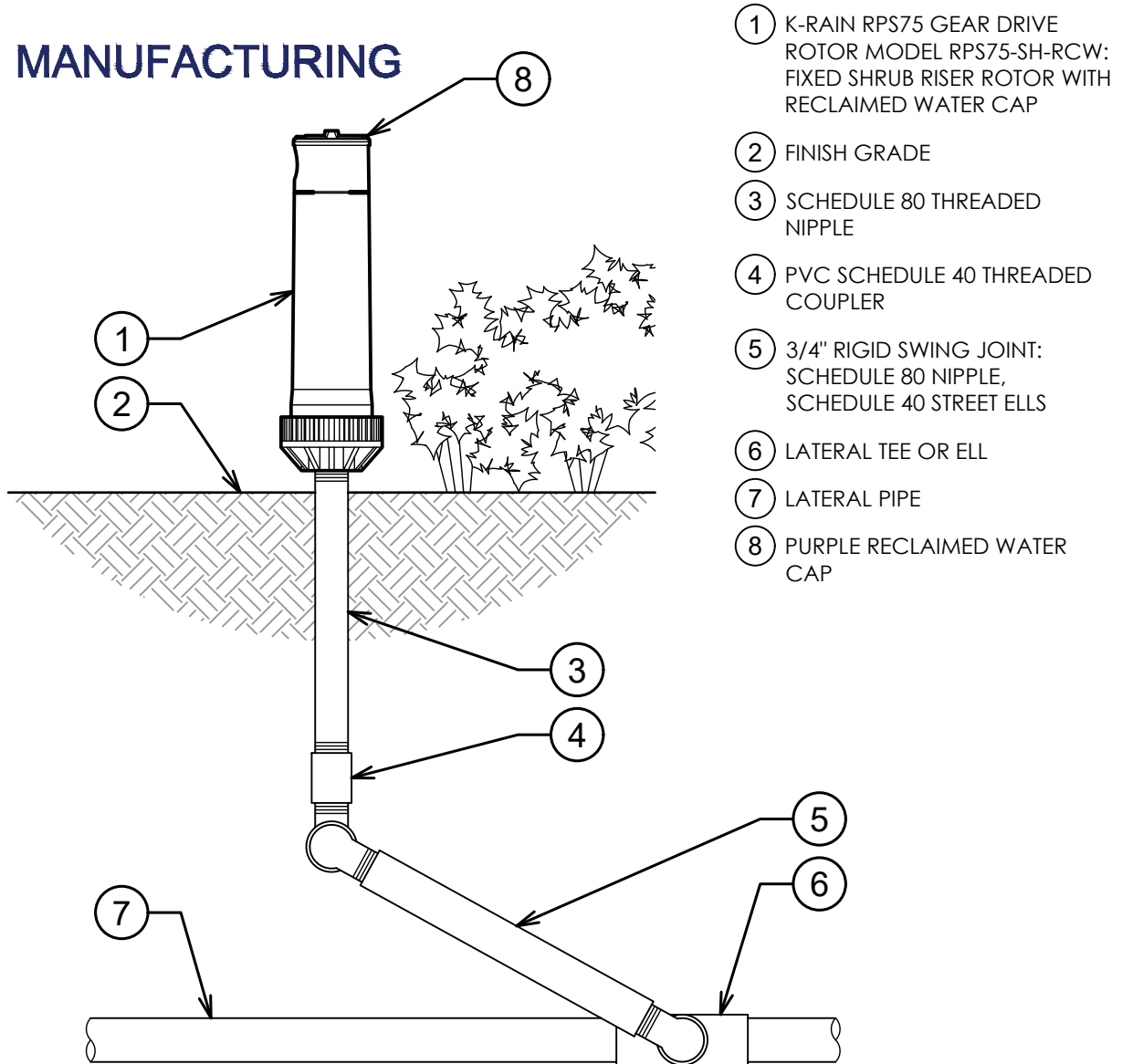
- ① K-RAIN RPS75 GEAR DRIVE ROTOR MODEL RPS75-SH: FIXED SHRUB RISER ROTOR
- ② FINISH GRADE
- ③ SCHEDULE 80 THREADED NIPPLE
- ④ PVC SCHEDULE 40 THREADED COUPLER
- ⑤ 3/4" FLEX SWING JOINT
- ⑥ LATERAL TEE OR ELL
- ⑦ LATERAL PIPE



- ① K-RAIN RPS75 GEAR DRIVE ROTOR MODEL RPS75-SH: FIXED SHRUB RISER ROTOR
- ② FINISH GRADE
- ③ SCHEDULE 80 THREADED NIPPLE
- ④ PVC SCHEDULE 40 THREADED COUPLER
- ⑤ 3/4" RIGID SWING JOINT: SCHEDULE 80 NIPPLE, SCHEDULE 40 STREET ELLS
- ⑥ LATERAL TEE OR ELL
- ⑦ LATERAL PIPE



- ① K-RAIN RPS75 GEAR DRIVE ROTOR MODEL RPS75-SH-RCW: FIXED SHRUB RISER ROTOR WITH RECLAIMED WATER CAP
- ② FINISH GRADE
- ③ SCHEDULE 80 THREADED NIPPLE
- ④ PVC SCHEDULE 40 THREADED COUPLER
- ⑤ 3/4" FLEX SWING JOINT
- ⑥ LATERAL TEE OR ELL
- ⑦ LATERAL PIPE
- ⑧ PURPLE RECLAIMED WATER CAP



- ① K-RAIN RPS75 GEAR DRIVE ROTOR MODEL RPS75-SH-RCW: FIXED SHRUB RISER ROTOR WITH RECLAIMED WATER CAP
- ② FINISH GRADE
- ③ SCHEDULE 80 THREADED NIPPLE
- ④ PVC SCHEDULE 40 THREADED COUPLER
- ⑤ 3/4" RIGID SWING JOINT: SCHEDULE 80 NIPPLE, SCHEDULE 40 STREET ELLS
- ⑥ LATERAL TEE OR ELL
- ⑦ LATERAL PIPE
- ⑧ PURPLE RECLAIMED WATER CAP



K-RAIN RPS75 ROTOR WITH FIXED SHRUB RISER

3" = 1'-0"