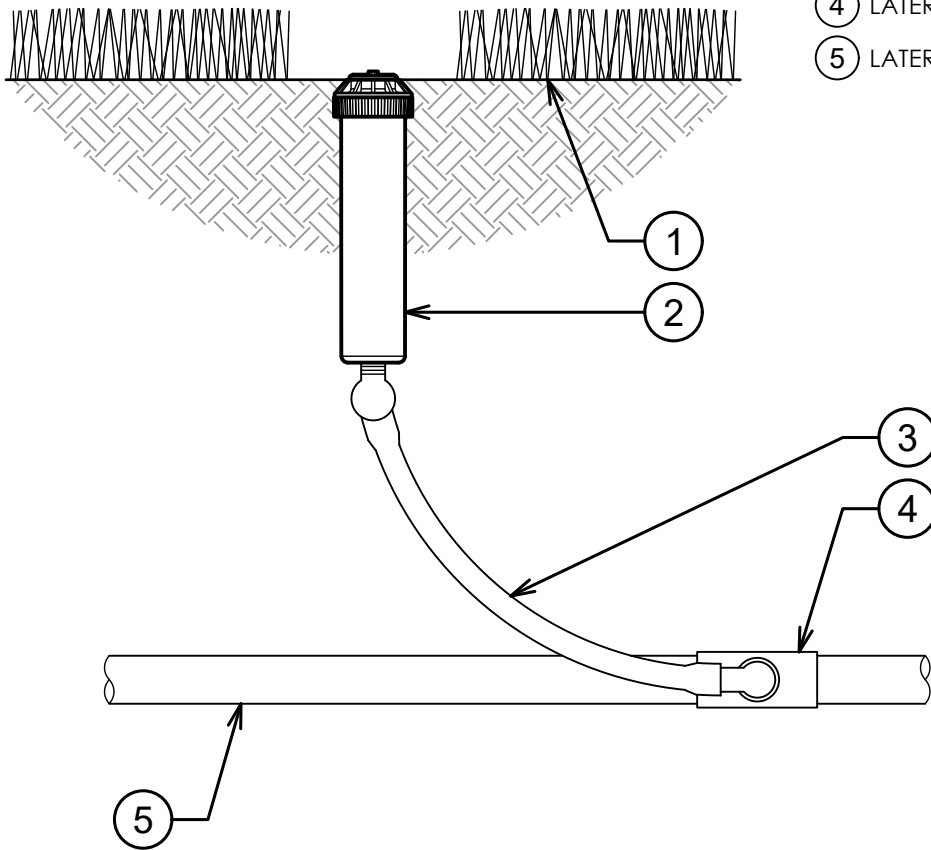


- ① FINISH GRADE
- ② K-RAIN RPS50 GEAR DRIVE ROTOR MODEL RPS50-CV: 4" POP-UP ROTOR WITH CHECK VALVE
- ③ 1/2" FLEX SWING JOINT
- ④ LATERAL TEE OR ELL
- ⑤ LATERAL PIPE



K-RAIN RPS50 ROTOR WITH 4" POP-UP

3" = 1'-0"