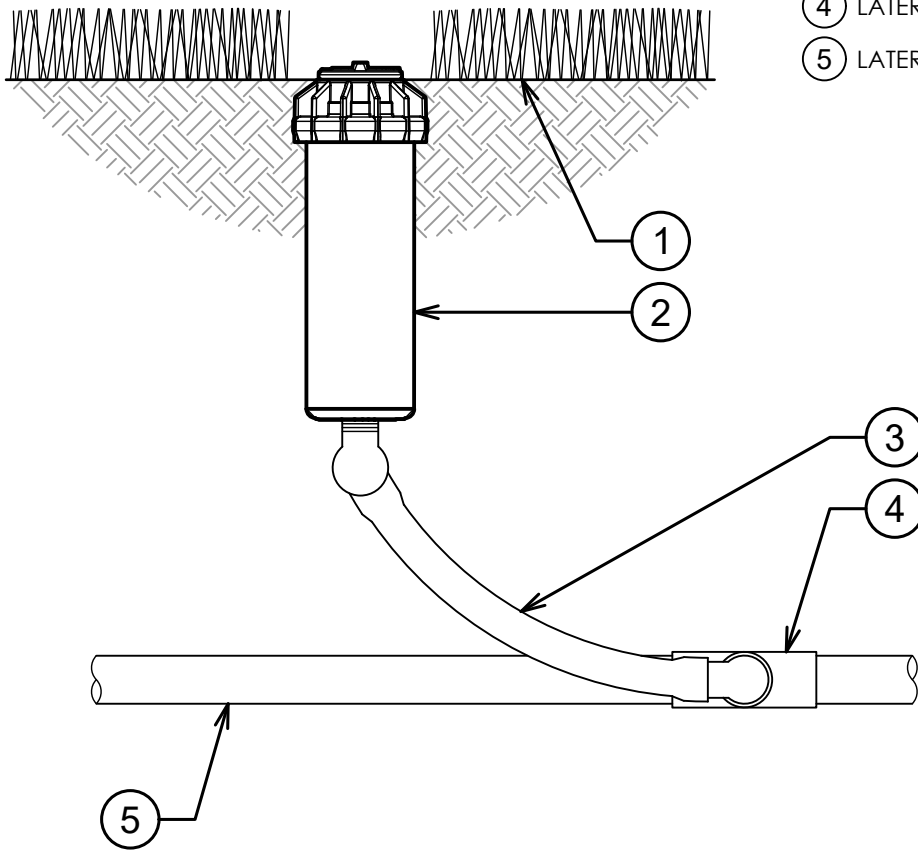


- ① FINISH GRADE
- ② K-RAIN RPS SELECT GEAR DRIVE ROTOR MODEL 60003:
4" POP-UP ROTOR WITH BUILT-IN
SELECTABLE NOZZLES
- ③ 3/4" FLEX SWING JOINT
- ④ LATERAL TEE OR ELL
- ⑤ LATERAL PIPE



00

K-RAIN RPS SELECT ROTOR WITH 4" POP-UP

3" = 1'-0"