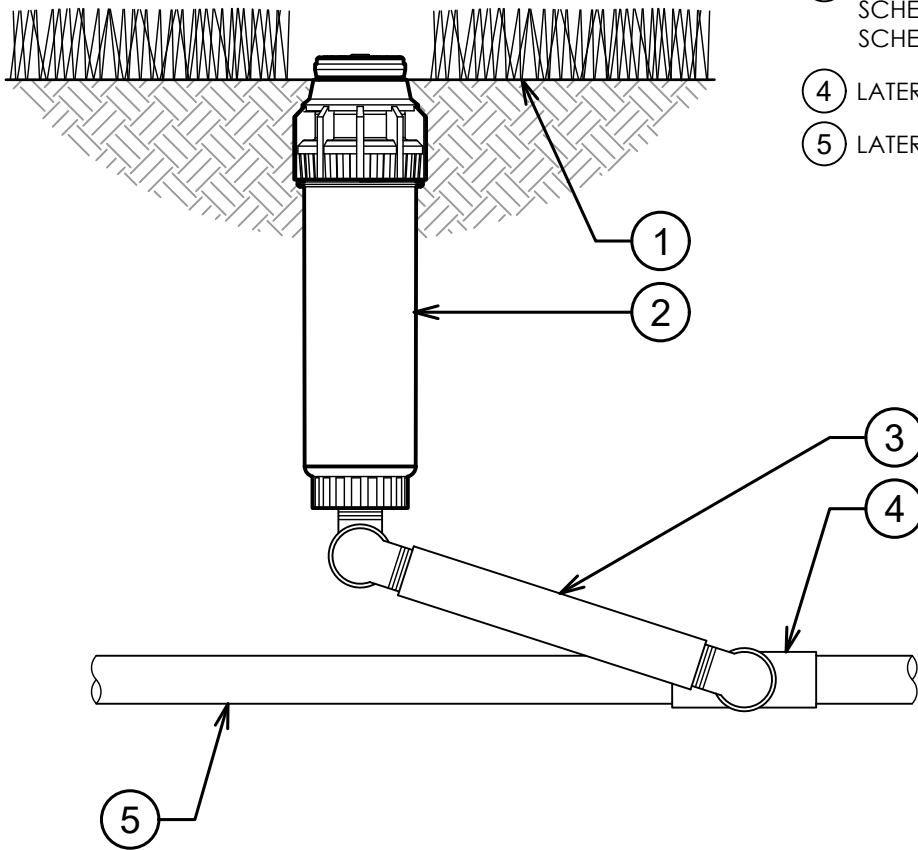


- ① FINISH GRADE
- ② K-RAIN PRO SPORT GEAR DRIVE ROTOR MODEL 14003-BSP: 4" POP-UP ROTOR WITH CHECK VALVE AND 1" BSP THREADED INLET
- ③ 1" RIGID SWING JOINT: SCHEDULE 80 NIPPLE, SCHEDULE 40 STREET ELLS
- ④ LATERAL TEE OR ELL
- ⑤ LATERAL PIPE



**00**

**K-RAIN PRO SPORT ROTOR WITH 4" POP-UP**

3" = 1'-0"