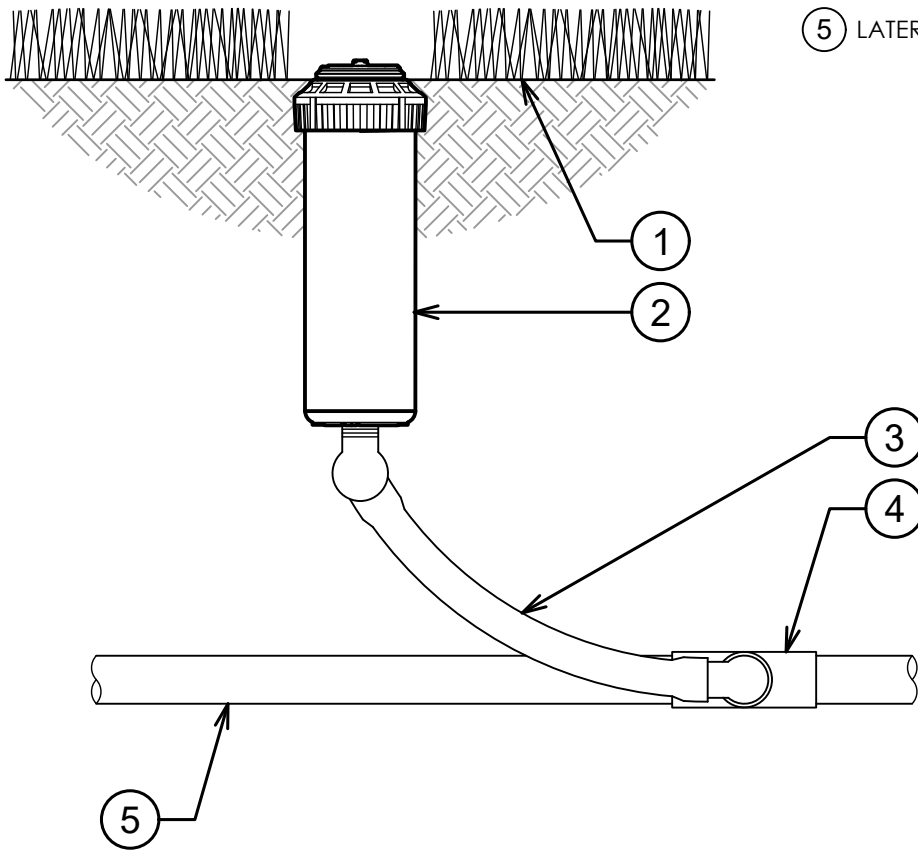


- ① FINISH GRADE
- ② K-RAIN PROPLUS GEAR DRIVE ROTOR MODEL 11003: 4" POP-UP ROTOR
- ③ 3/4" FLEX SWING JOINT
- ④ LATERAL TEE OR ELL
- ⑤ LATERAL PIPE

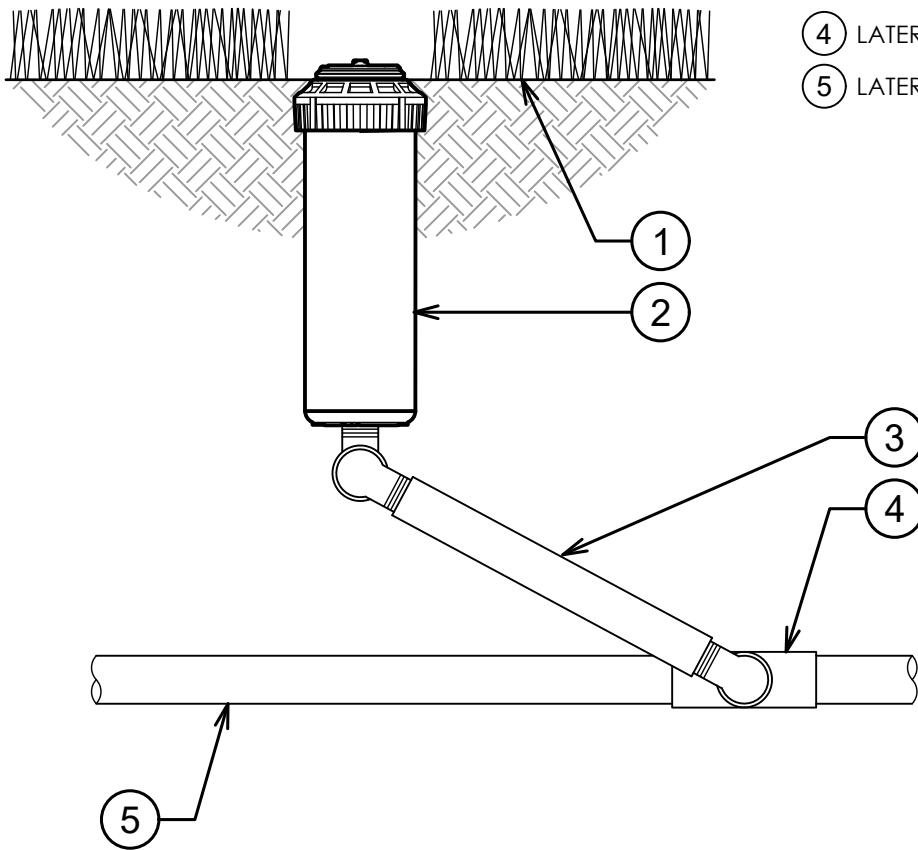


00

## K-RAIN PROPLUS ROTOR WITH 4" POP-UP

3" = 1'-0"

- ① FINISH GRADE
- ② K-RAIN PROPLUS GEAR DRIVE ROTOR MODEL 11003:  
4" POP-UP ROTOR
- ③ 3/4" RIGID SWING JOINT:  
SCHEDULE 80 NIPPLE,  
SCHEDULE 40 STREET ELLS
- ④ LATERAL TEE OR ELL
- ⑤ LATERAL PIPE



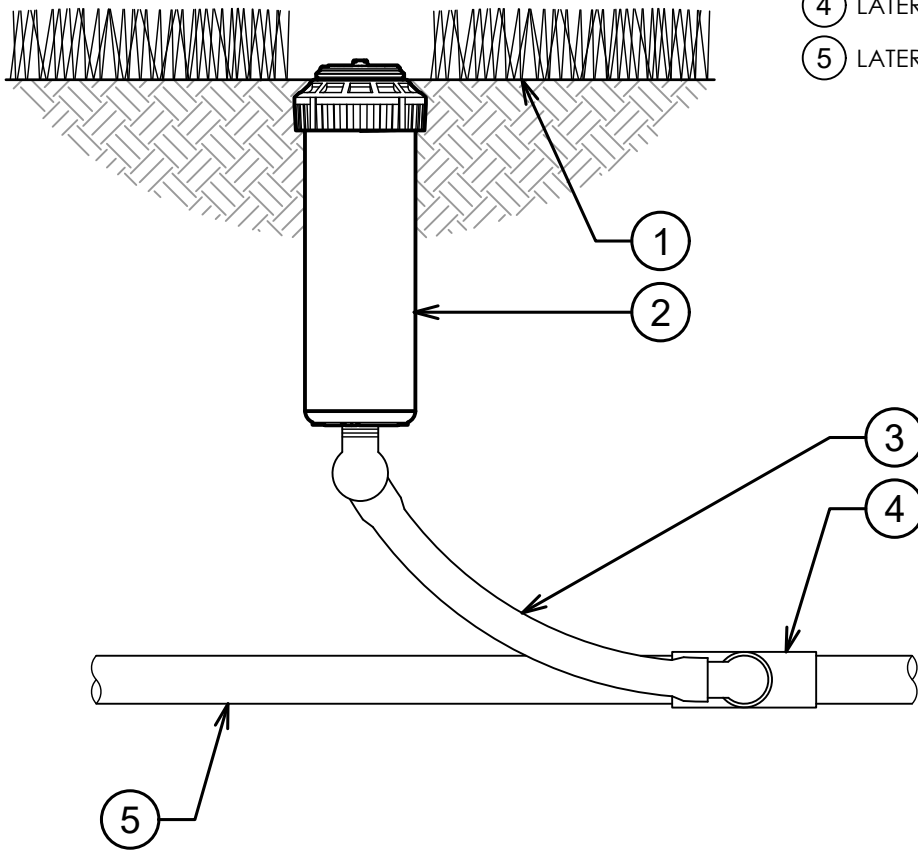
00

## K-RAIN PROPLUS ROTOR WITH 4" POP-UP

3" = 1'-0"

[www.krain.com](http://www.krain.com)

- ① FINISH GRADE
- ② K-RAIN PROPLUS GEAR DRIVE ROTOR MODEL 11003-CV:  
4" POP-UP ROTOR WITH CHECK VALVE
- ③ 3/4" FLEX SWING JOINT
- ④ LATERAL TEE OR ELL
- ⑤ LATERAL PIPE



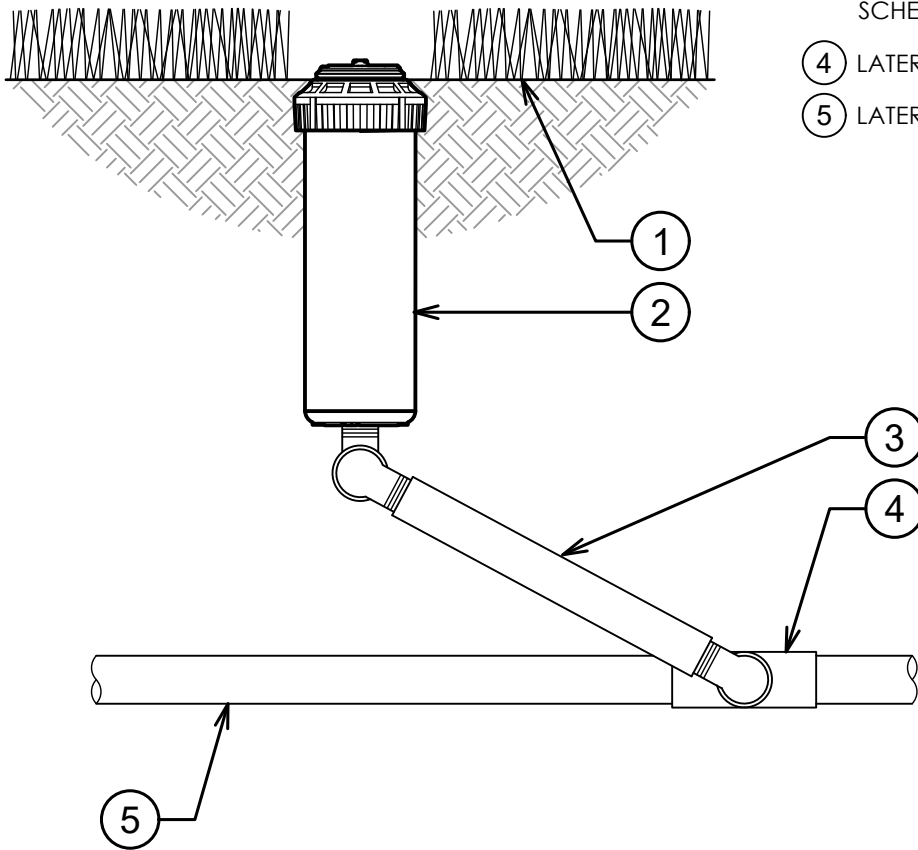
00

## K-RAIN PROPLUS ROTOR WITH 4" POP-UP

3" = 1'-0"

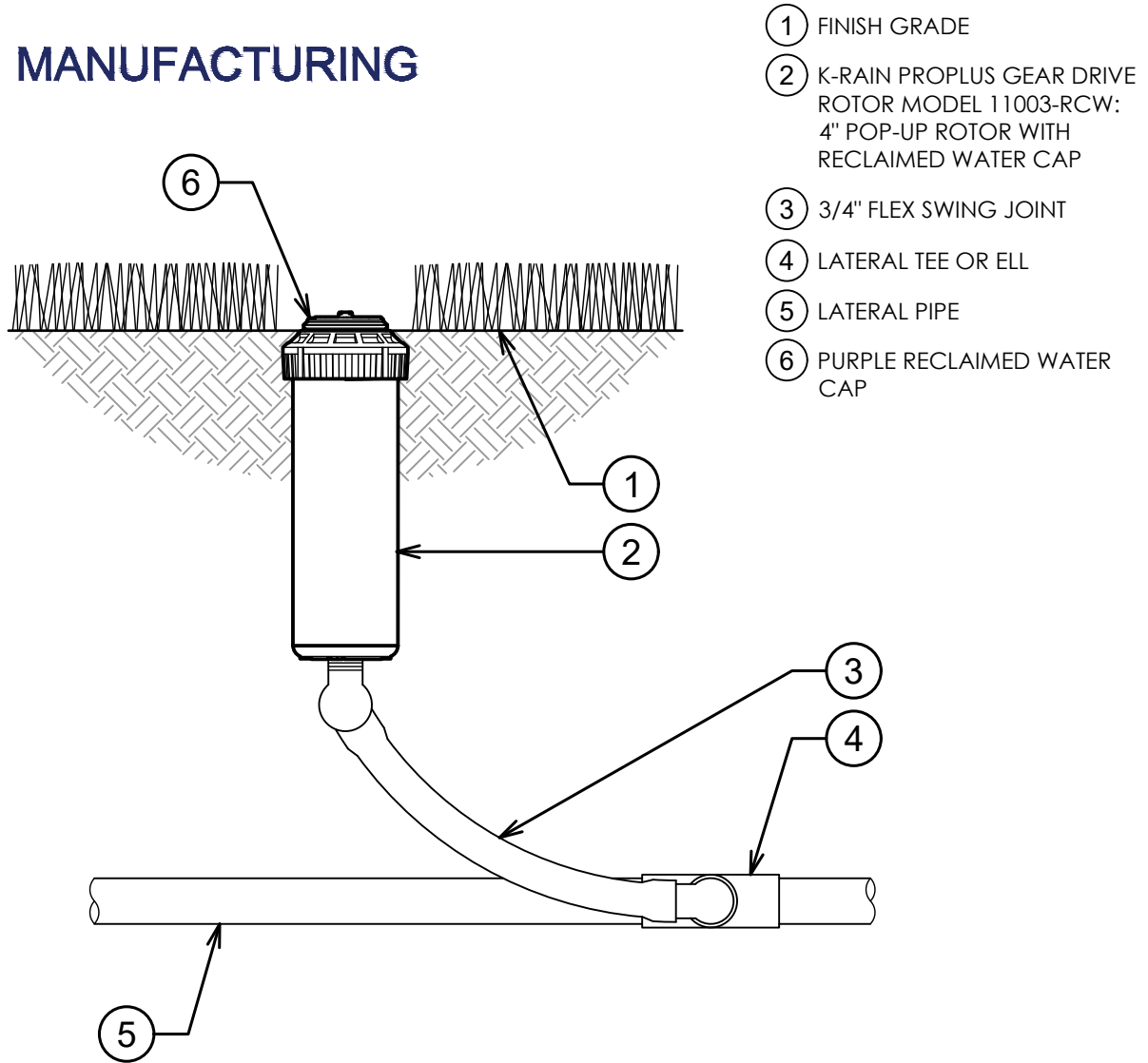
[www.krain.com](http://www.krain.com)

- ① FINISH GRADE
- ② K-RAIN PROPLUS GEAR DRIVE ROTOR MODEL 11003-CV:  
4" POP-UP ROTOR WITH CHECK VALVE
- ③ 3/4" RIGID SWING JOINT:  
SCHEDULE 80 NIPPLE,  
SCHEDULE 40 STREET ELLS
- ④ LATERAL TEE OR ELL
- ⑤ LATERAL PIPE



## K-RAIN PROPLUS ROTOR WITH 4" POP-UP

3" = 1'-0"

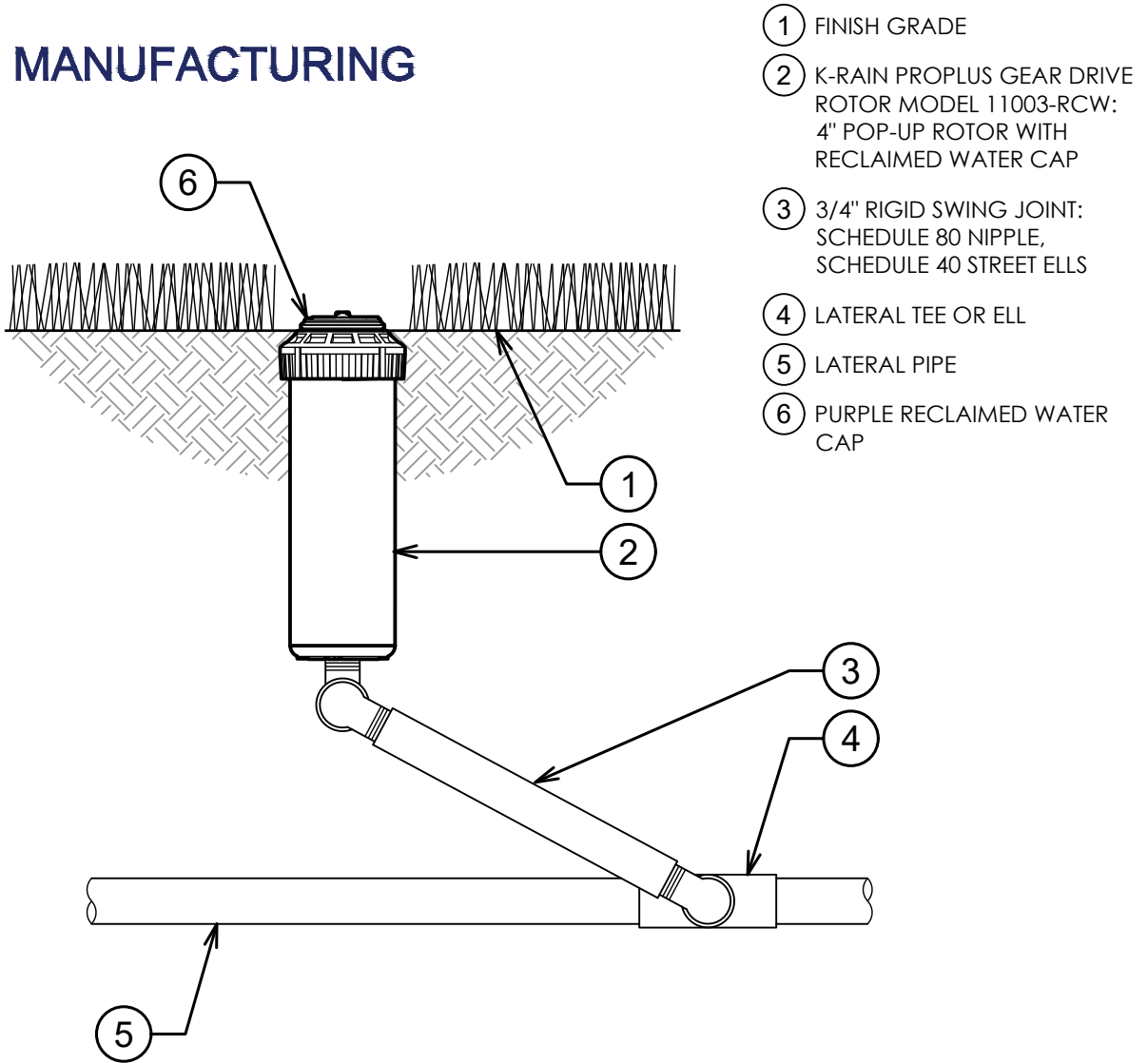


- ① FINISH GRADE
- ② K-RAIN PROPLUS GEAR DRIVE ROTOR MODEL 11003-RCW: 4" POP-UP ROTOR WITH RECLAIMED WATER CAP
- ③ 3/4" FLEX SWING JOINT
- ④ LATERAL TEE OR ELL
- ⑤ LATERAL PIPE
- ⑥ PURPLE RECLAIMED WATER CAP



**K-RAIN PROPLUS ROTOR WITH 4" POP-UP**

3" = 1'-0"

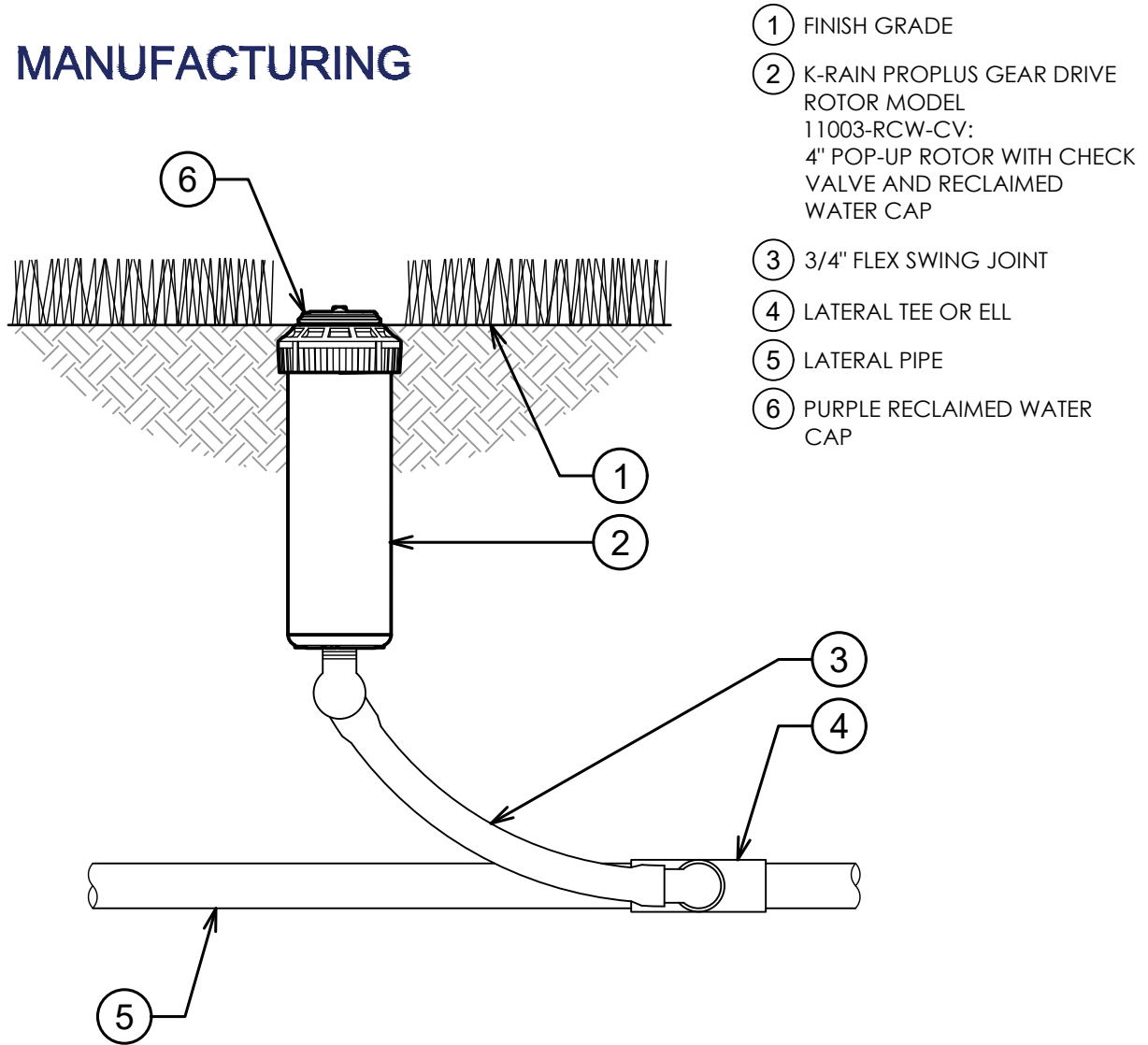


- ① FINISH GRADE
- ② K-RAIN PROPLUS GEAR DRIVE ROTOR MODEL 11003-RCW: 4" POP-UP ROTOR WITH RECLAIMED WATER CAP
- ③ 3/4" RIGID SWING JOINT: SCHEDULE 80 NIPPLE, SCHEDULE 40 STREET ELLS
- ④ LATERAL TEE OR ELL
- ⑤ LATERAL PIPE
- ⑥ PURPLE RECLAIMED WATER CAP



**K-RAIN PROPLUS ROTOR WITH 4" POP-UP**

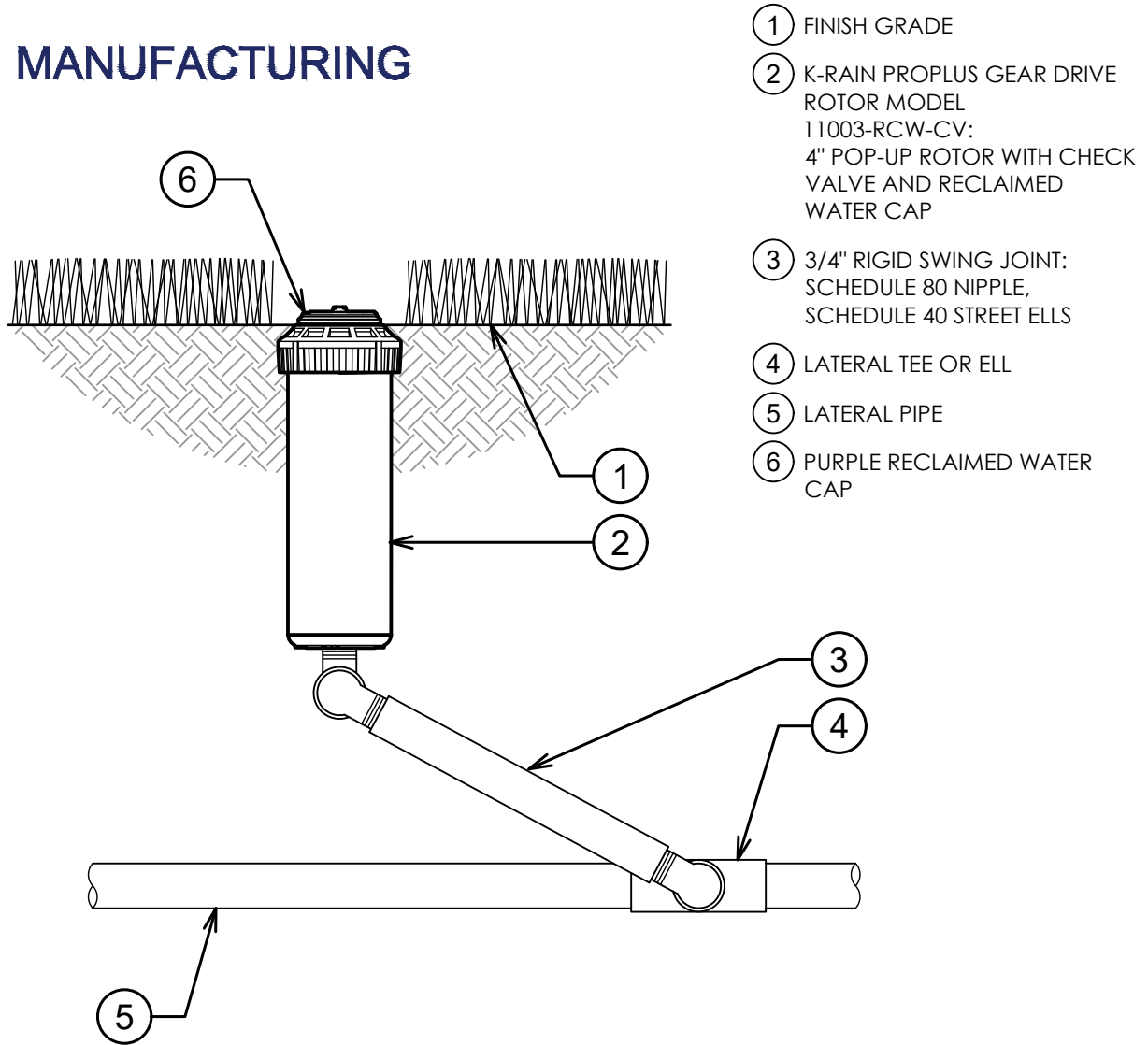
3" = 1'-0"



**00**

**K-RAIN PROPLUS ROTOR WITH 4" POP-UP**

3" = 1'-0"



- ① FINISH GRADE
- ② K-RAIN PROPLUS GEAR DRIVE ROTOR MODEL 11003-RCW-CV: 4" POP-UP ROTOR WITH CHECK VALVE AND RECLAIMED WATER CAP
- ③ 3/4" RIGID SWING JOINT: SCHEDULE 80 NIPPLE, SCHEDULE 40 STREET ELLS
- ④ LATERAL TEE OR ELL
- ⑤ LATERAL PIPE
- ⑥ PURPLE RECLAIMED WATER CAP