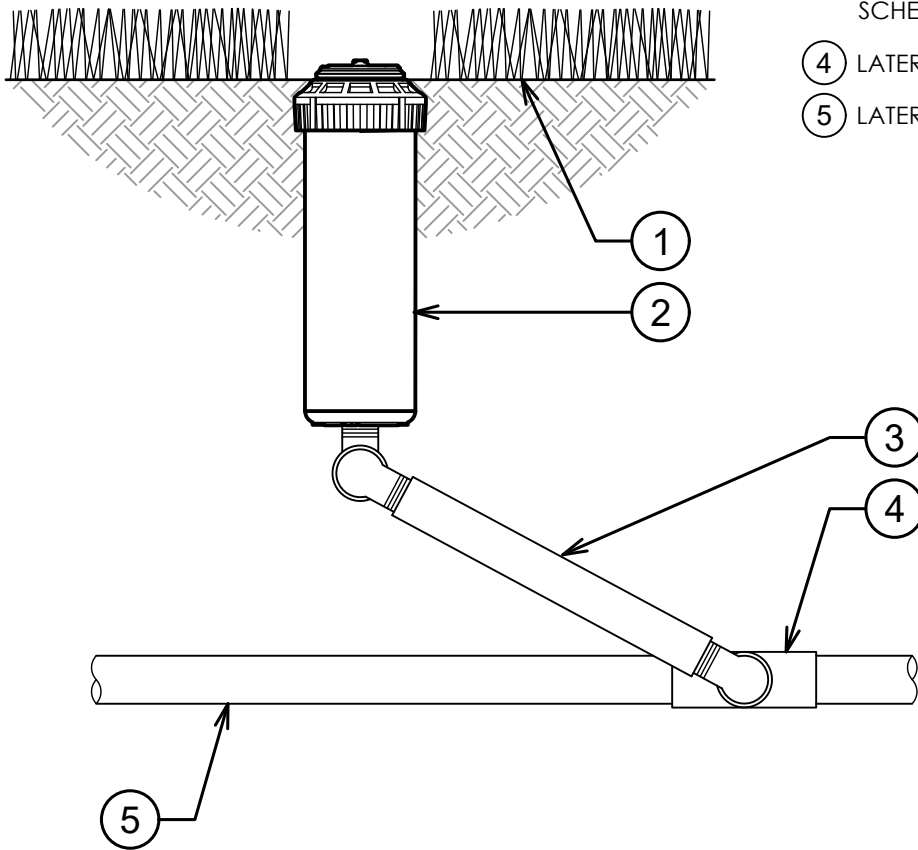


- ① FINISH GRADE
- ② K-RAIN PROPLUS GEAR DRIVE ROTOR MODEL 11003-CV:
4" POP-UP ROTOR WITH CHECK VALVE
- ③ 3/4" RIGID SWING JOINT:
SCHEDULE 80 NIPPLE,
SCHEDULE 40 STREET ELLS
- ④ LATERAL TEE OR ELL
- ⑤ LATERAL PIPE



K-RAIN PROPLUS ROTOR WITH 4" POP-UP

3" = 1'-0"

www.krain.com