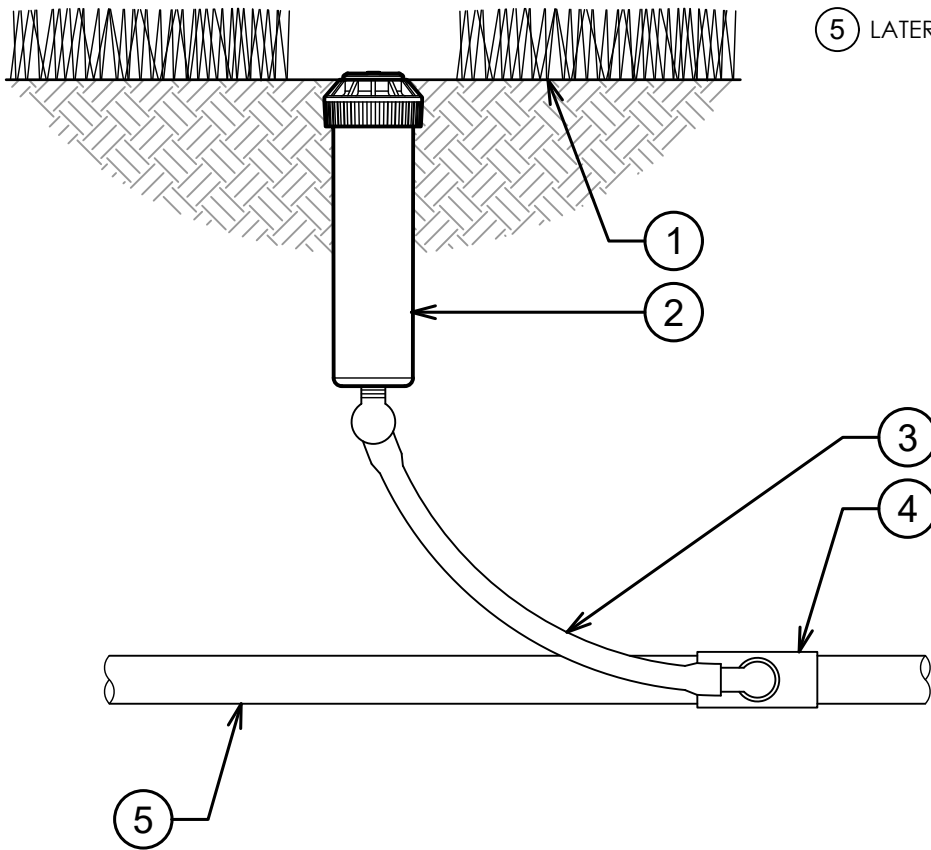
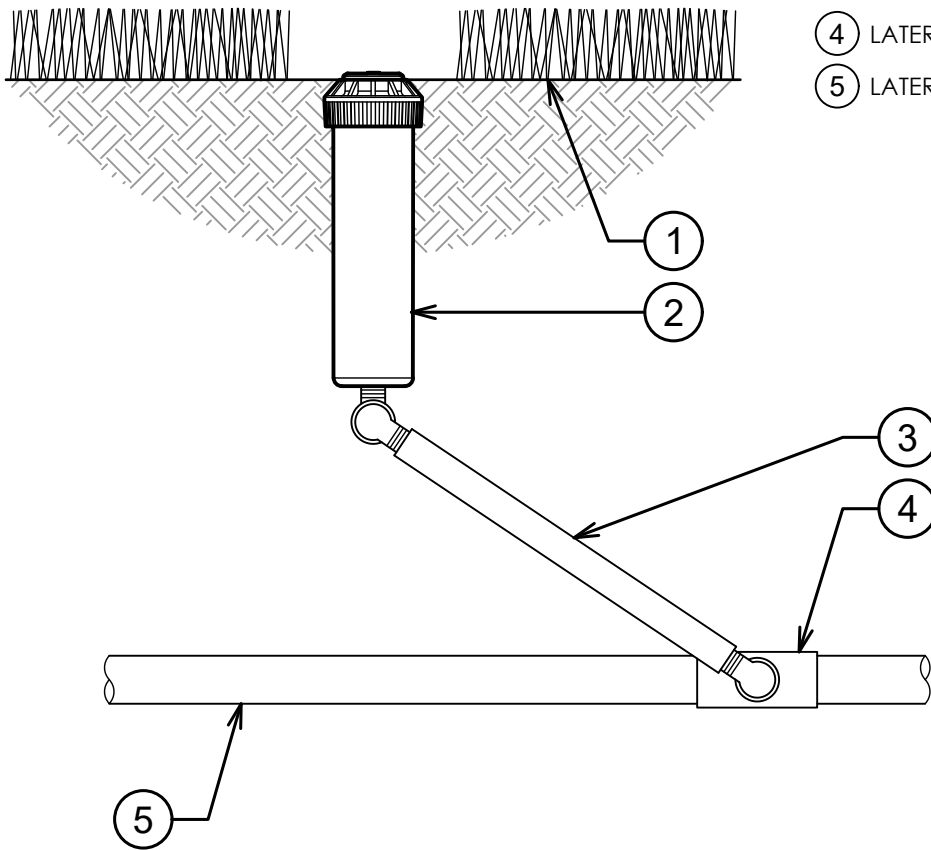


- ① FINISH GRADE
- ② K-RAIN MINIPRO GEAR DRIVE ROTOR MODEL 13003: 4" POP-UP ROTOR
- ③ 1/2" FLEX SWING JOINT
- ④ LATERAL TEE OR ELL
- ⑤ LATERAL PIPE



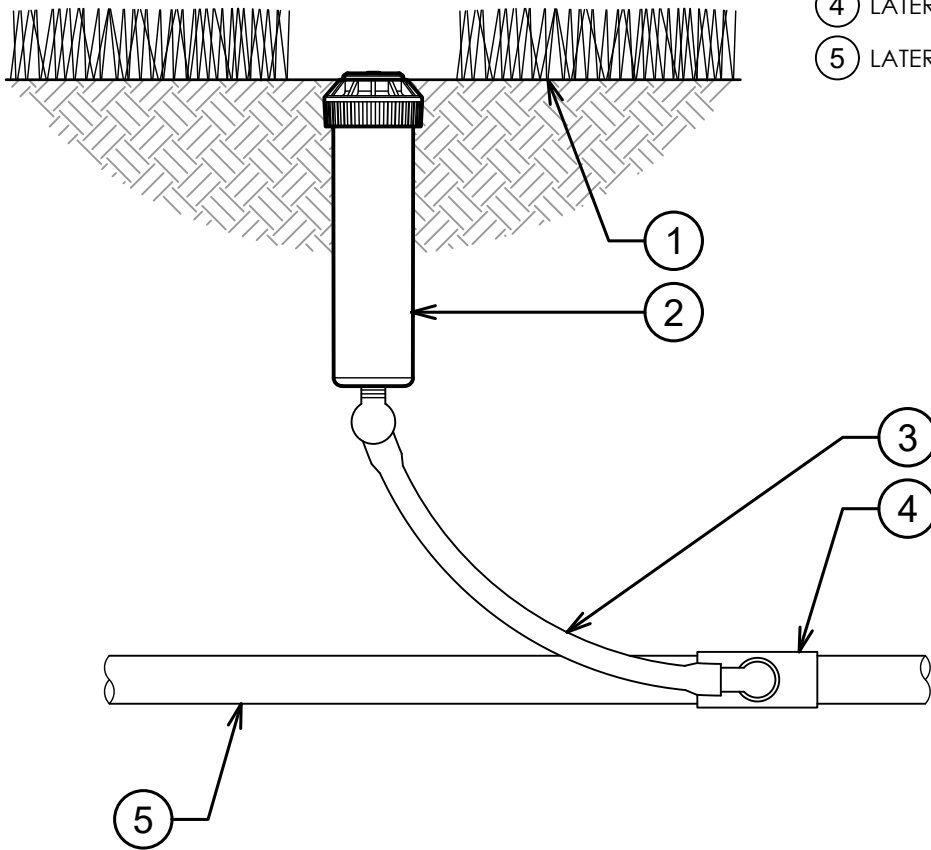
- ① FINISH GRADE
- ② K-RAIN MINIPRO GEAR DRIVE ROTOR MODEL 13003: 4" POP-UP ROTOR
- ③ 1/2" RIGID SWING JOINT: SCHEDULE 80 NIPPLE, SCHEDULE 40 STREET ELLS
- ④ LATERAL TEE OR ELL
- ⑤ LATERAL PIPE



K-RAIN MINIPRO ROTOR WITH 4" POP-UP

3" = 1'-0"

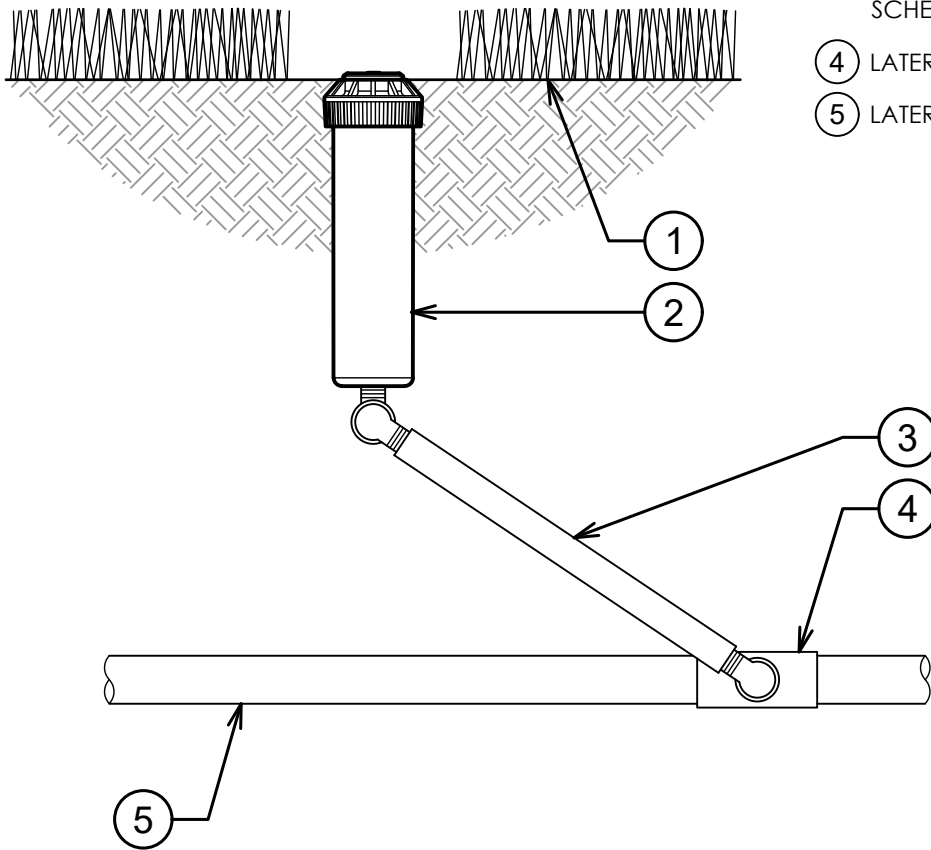
- ① FINISH GRADE
- ② K-RAIN MINIPRO GEAR DRIVE ROTOR MODEL 13003-CV:
4" POP-UP ROTOR WITH CHECK VALVE
- ③ 1/2" FLEX SWING JOINT
- ④ LATERAL TEE OR ELL
- ⑤ LATERAL PIPE



K-RAIN MINIPRO ROTOR WITH 4" POP-UP

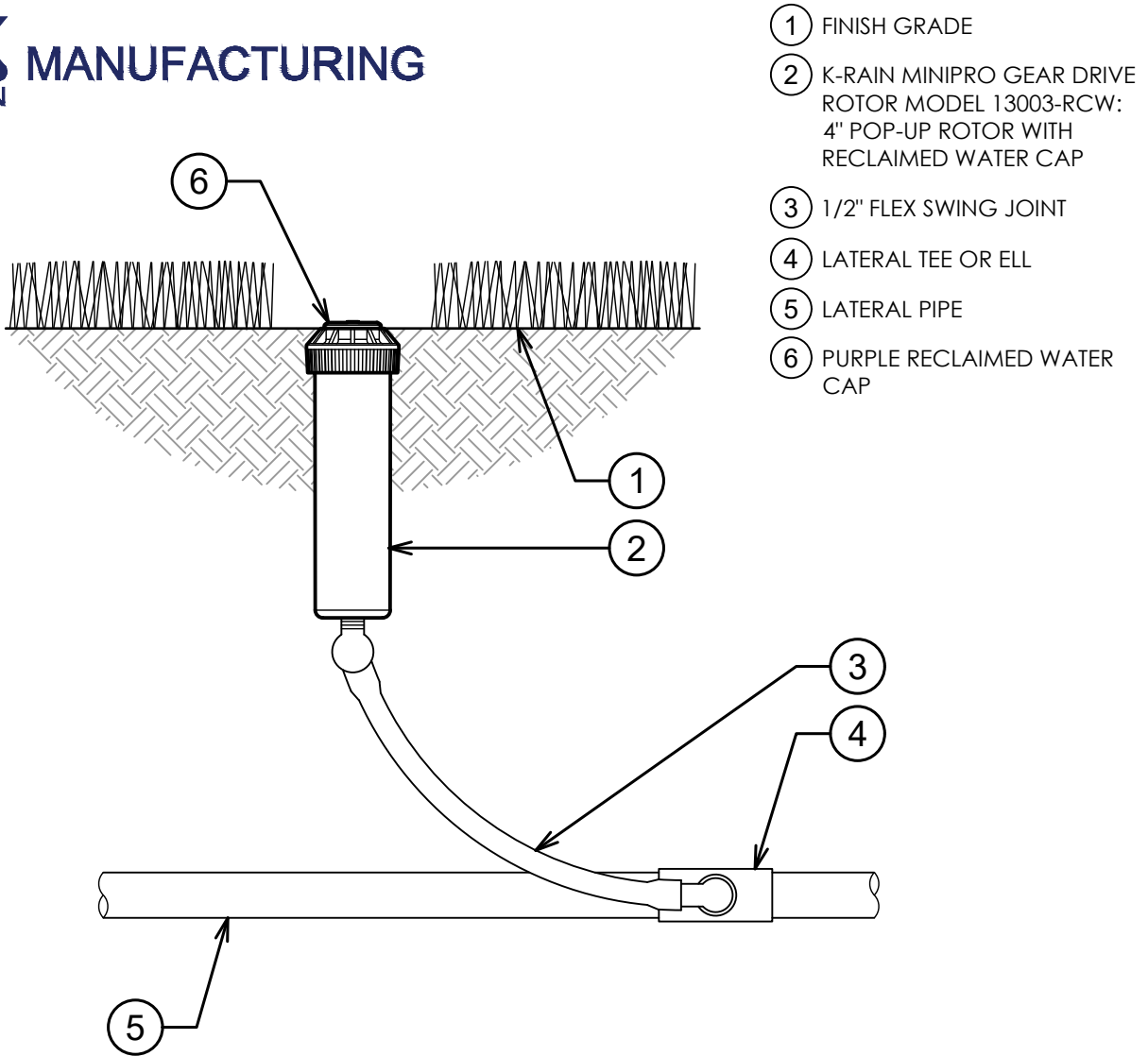
3" = 1'-0"

- ① FINISH GRADE
- ② K-RAIN MINIPRO GEAR DRIVE ROTOR MODEL 13003-CV: 4" POP-UP ROTOR WITH CHECK VALVE
- ③ 1/2" RIGID SWING JOINT: SCHEDULE 80 NIPPLE, SCHEDULE 40 STREET ELLS
- ④ LATERAL TEE OR ELL
- ⑤ LATERAL PIPE



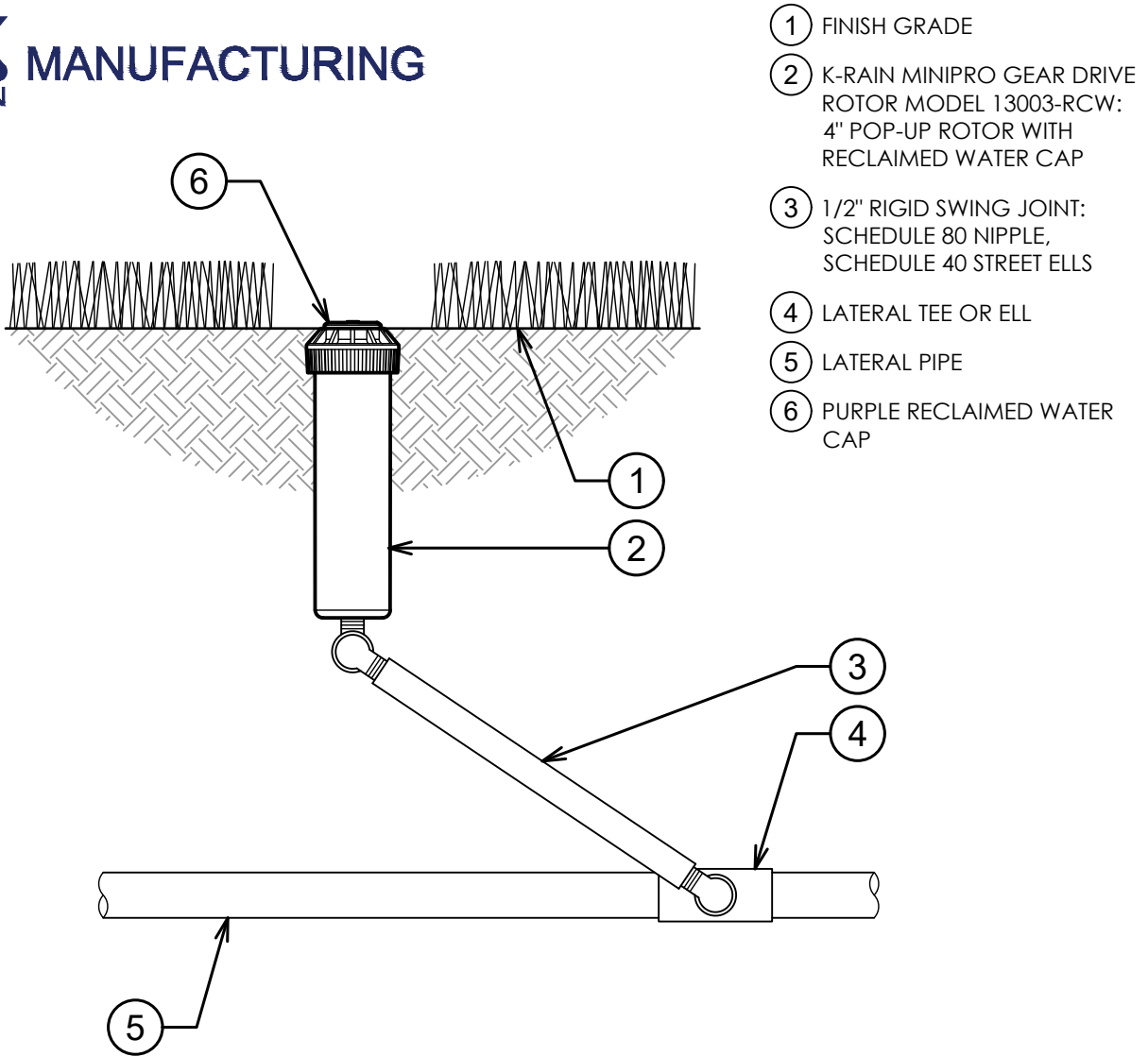
K-RAIN MINIPRO ROTOR WITH 4" POP-UP

3" = 1'-0"



K-RAIN MINIPRO ROTOR WITH 4" POP-UP

3" = 1'-0"

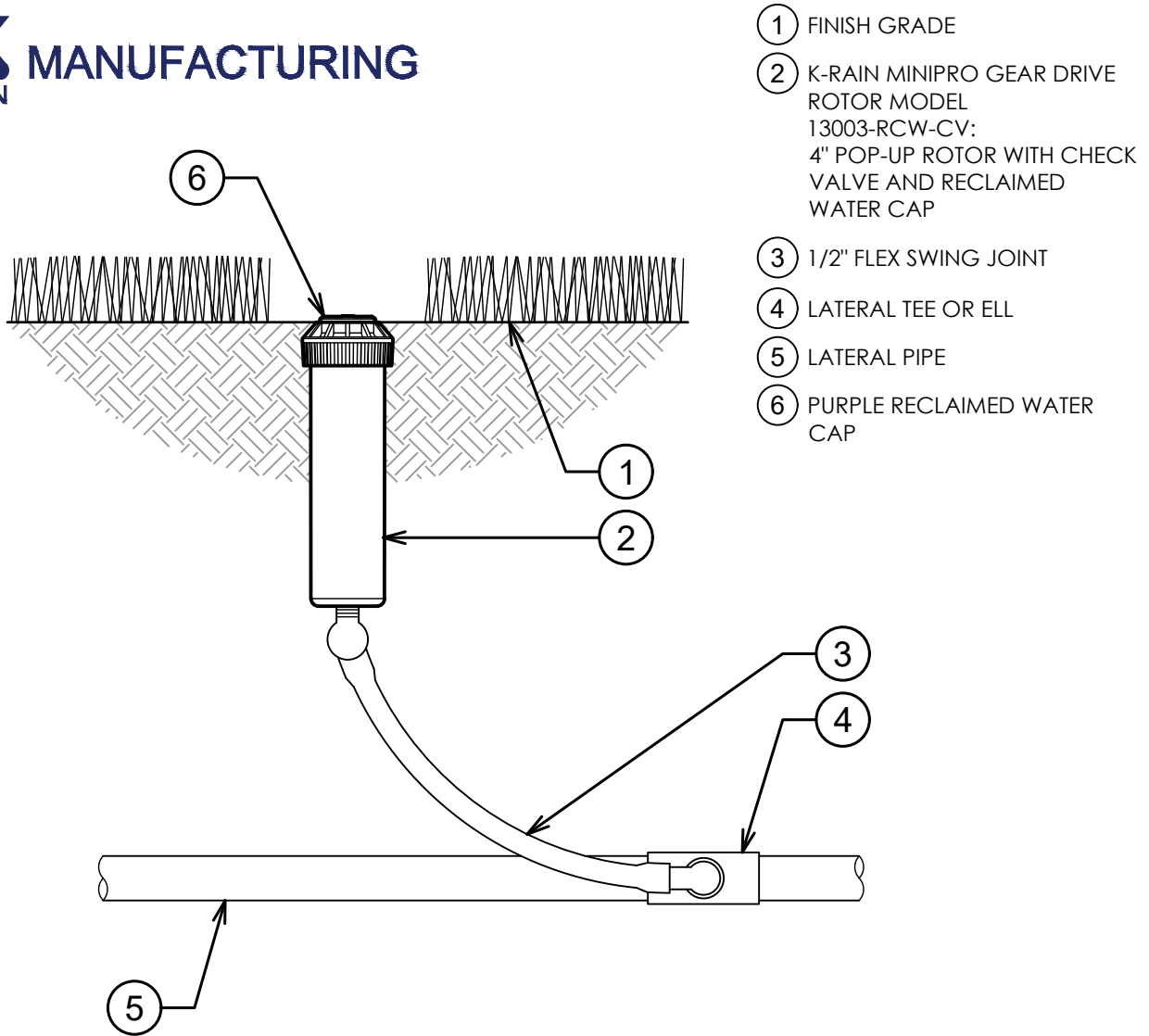


- ① FINISH GRADE
- ② K-RAIN MINIPRO GEAR DRIVE ROTOR MODEL 13003-RCW: 4" POP-UP ROTOR WITH RECLAIMED WATER CAP
- ③ 1/2" RIGID SWING JOINT: SCHEDULE 80 NIPPLE, SCHEDULE 40 STREET ELLS
- ④ LATERAL TEE OR ELL
- ⑤ LATERAL PIPE
- ⑥ PURPLE RECLAIMED WATER CAP

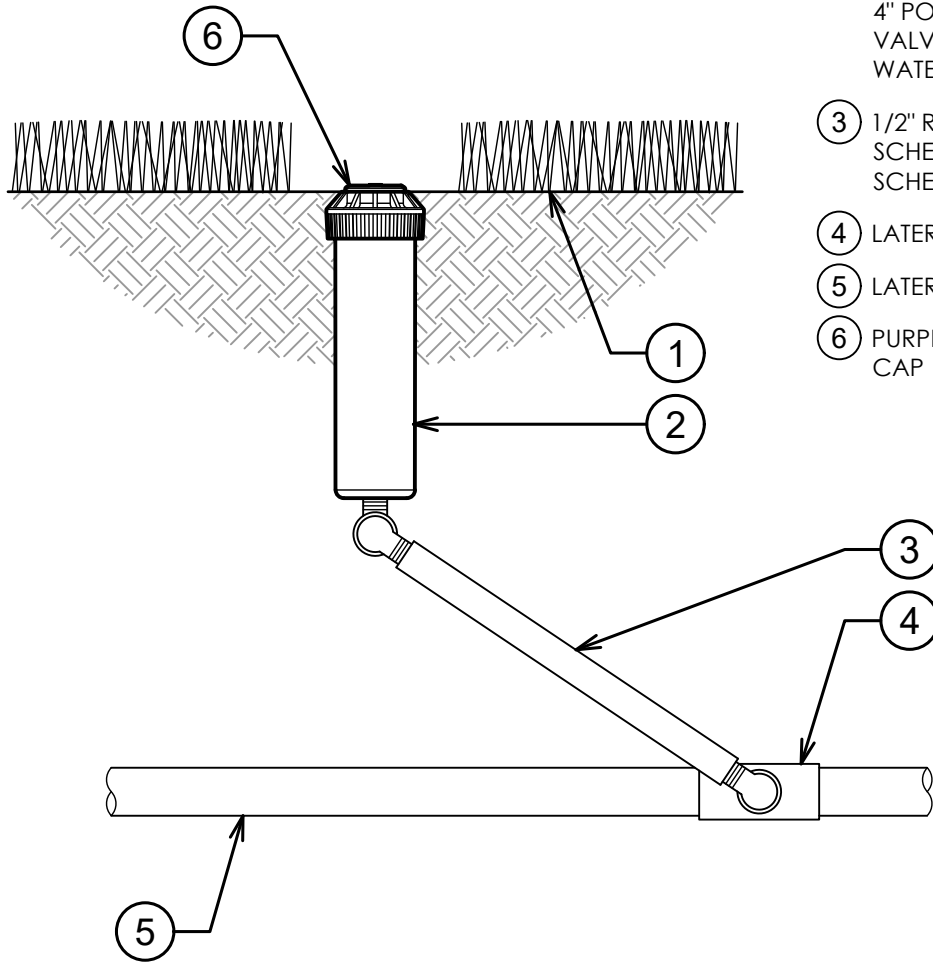


K-RAIN MINIPRO ROTOR WITH 4" POP-UP

3" = 1'-0"

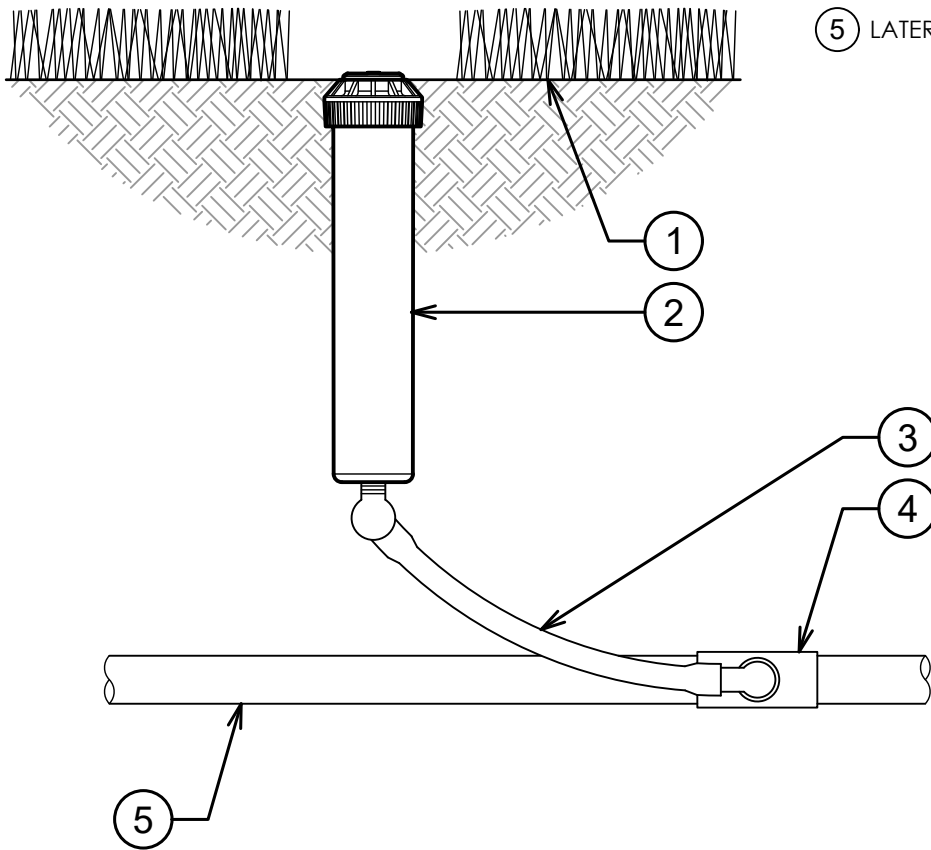


- ① FINISH GRADE
- ② K-RAIN MINIPRO GEAR DRIVE ROTOR MODEL 13003-RCW-CV: 4\"/>
- ③ 1/2\"/>
- ④ LATERAL TEE OR ELL
- ⑤ LATERAL PIPE
- ⑥ PURPLE RECLAIMED WATER CAP

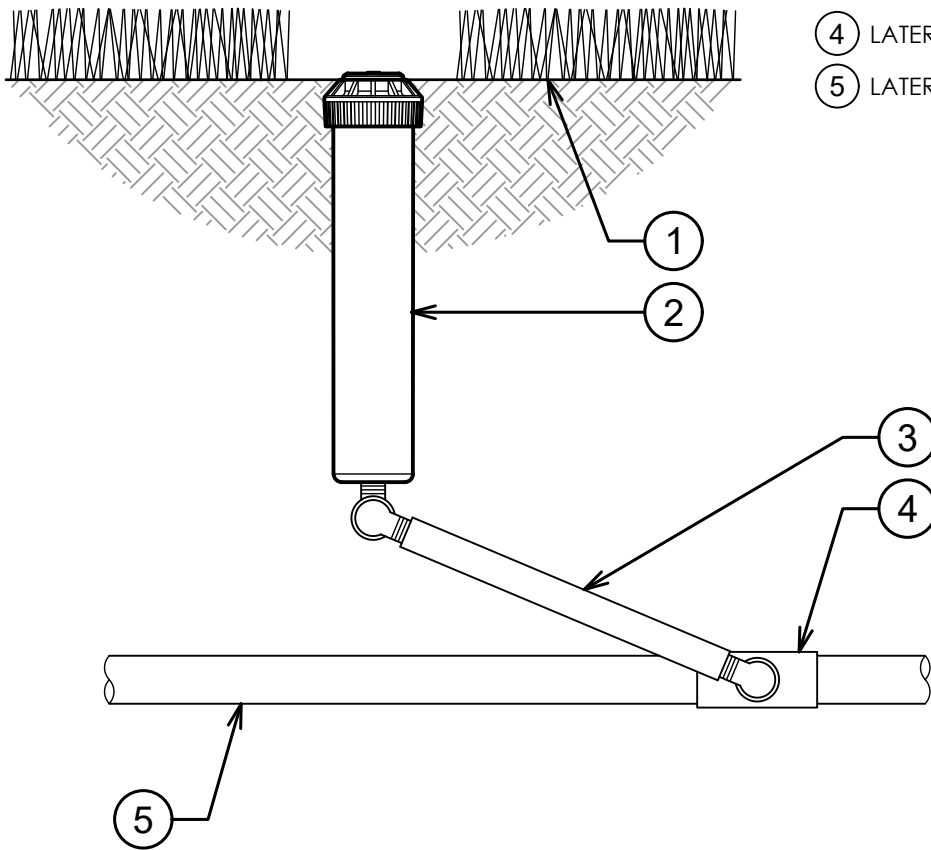


- ① FINISH GRADE
- ② K-RAIN MINIPRO GEAR DRIVE ROTOR MODEL 13003-RCW-CV: 4" POP-UP ROTOR WITH CHECK VALVE AND RECLAIMED WATER CAP
- ③ 1/2" RIGID SWING JOINT: SCHEDULE 80 NIPPLE, SCHEDULE 40 STREET ELLS
- ④ LATERAL TEE OR ELL
- ⑤ LATERAL PIPE
- ⑥ PURPLE RECLAIMED WATER CAP

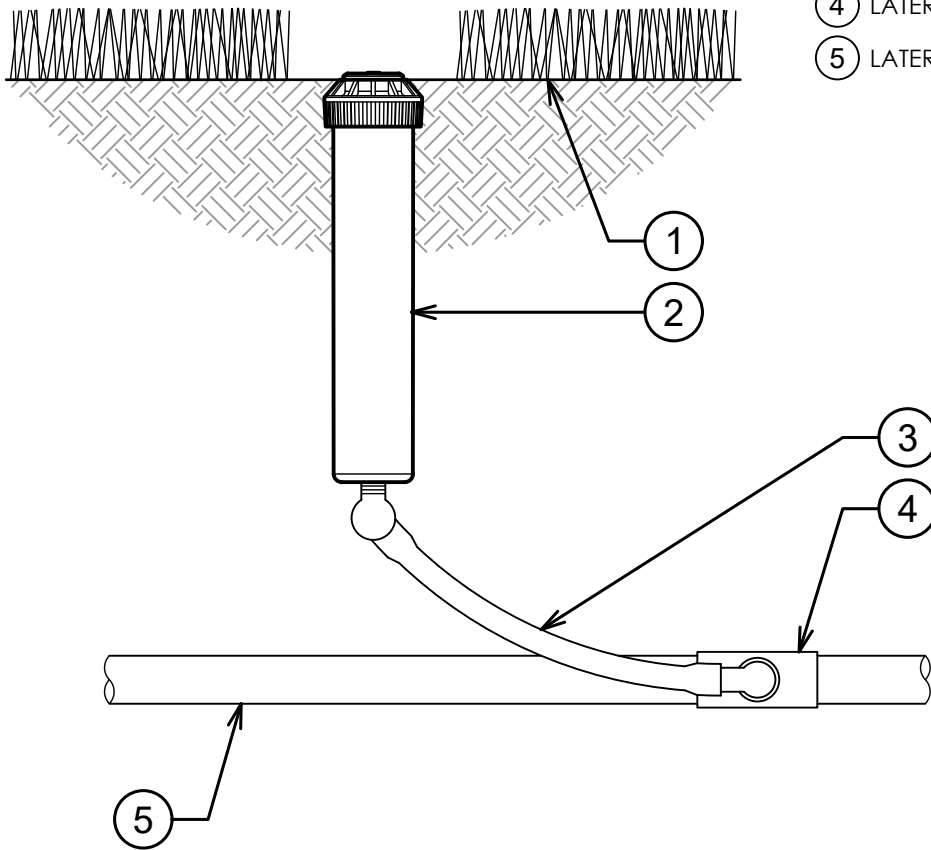
- ① FINISH GRADE
- ② K-RAIN MINIPRO GEAR DRIVE ROTOR MODEL 13006: 6" POP-UP ROTOR
- ③ 1/2" FLEX SWING JOINT
- ④ LATERAL TEE OR ELL
- ⑤ LATERAL PIPE



- ① FINISH GRADE
- ② K-RAIN MINIPRO GEAR DRIVE ROTOR MODEL 13006:
6" POP-UP ROTOR
- ③ 1/2" RIGID SWING JOINT:
SCHEDULE 80 NIPPLE,
SCHEDULE 40 STREET ELLS
- ④ LATERAL TEE OR ELL
- ⑤ LATERAL PIPE



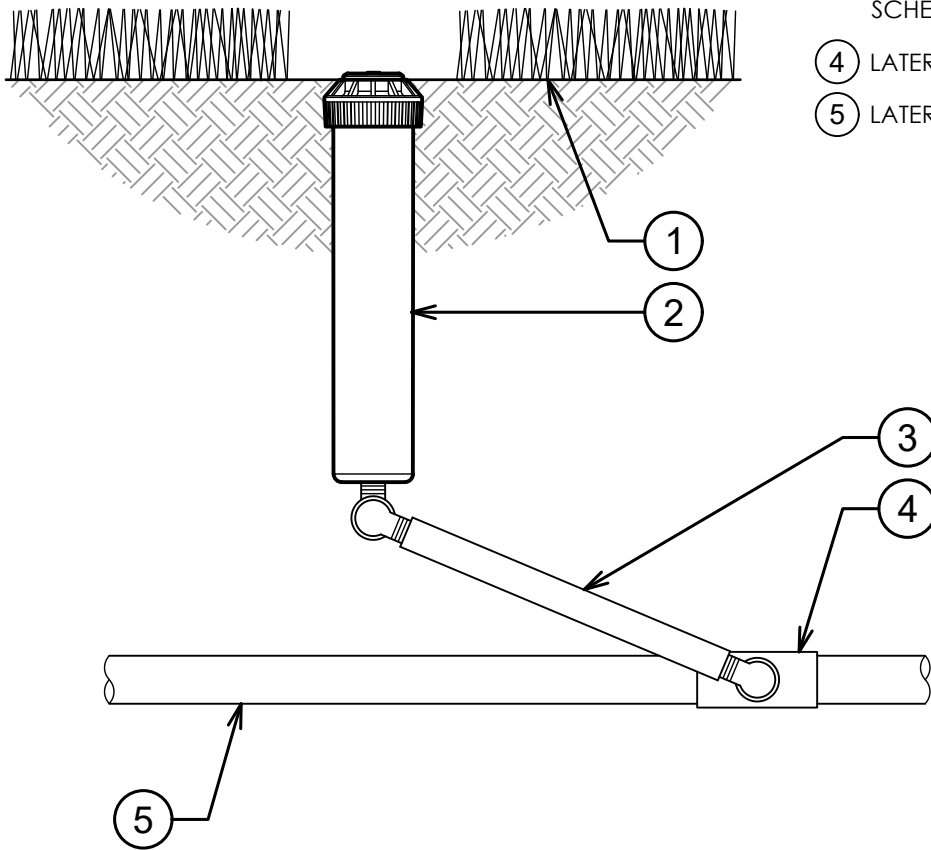
- ① FINISH GRADE
- ② K-RAIN MINIPRO GEAR DRIVE ROTOR MODEL 13006-CV:
6" POP-UP ROTOR WITH CHECK VALVE
- ③ 1/2" FLEX SWING JOINT
- ④ LATERAL TEE OR ELL
- ⑤ LATERAL PIPE

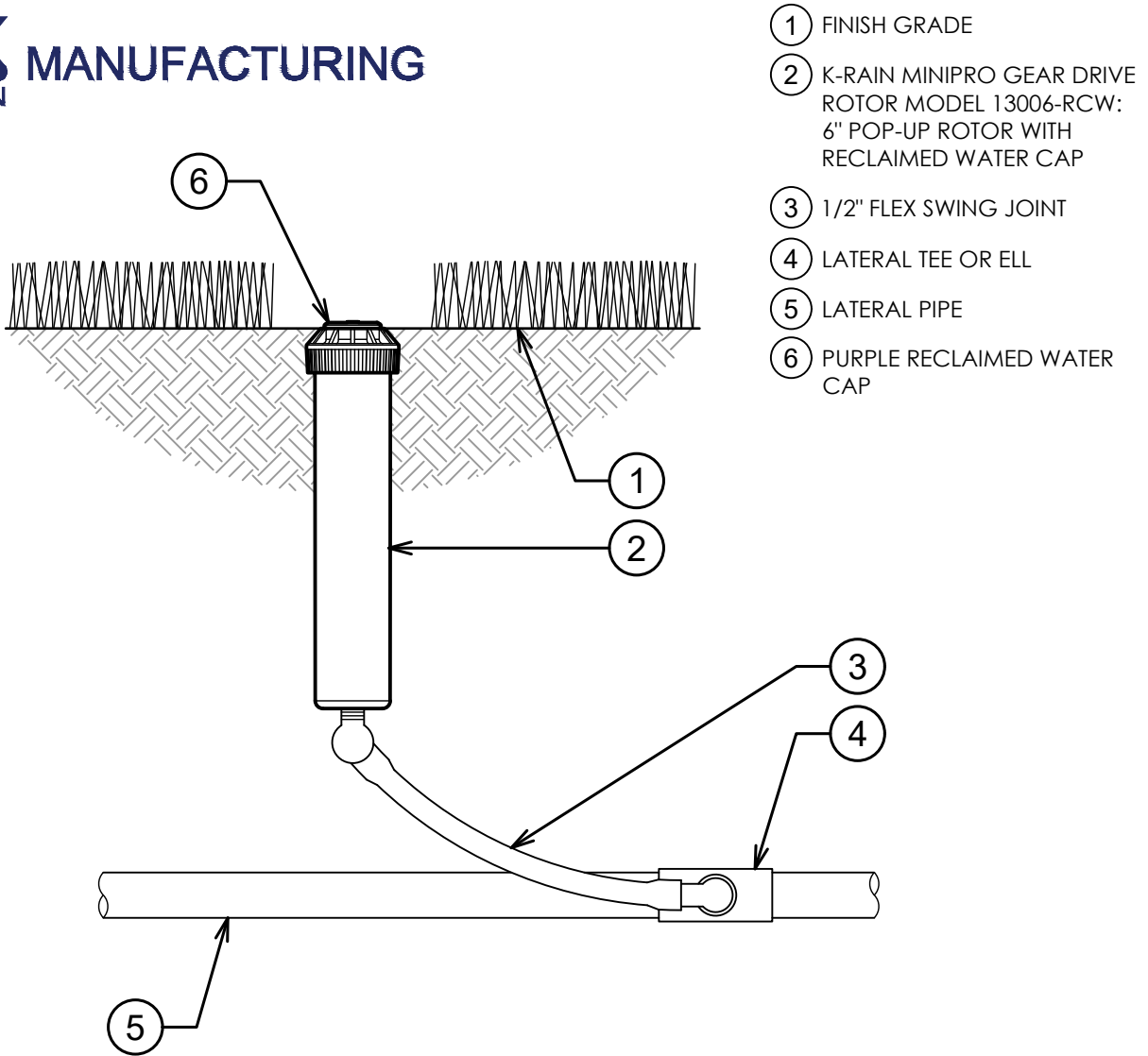


K-RAIN MINIPRO ROTOR WITH 6" POP-UP

3" = 1'-0"

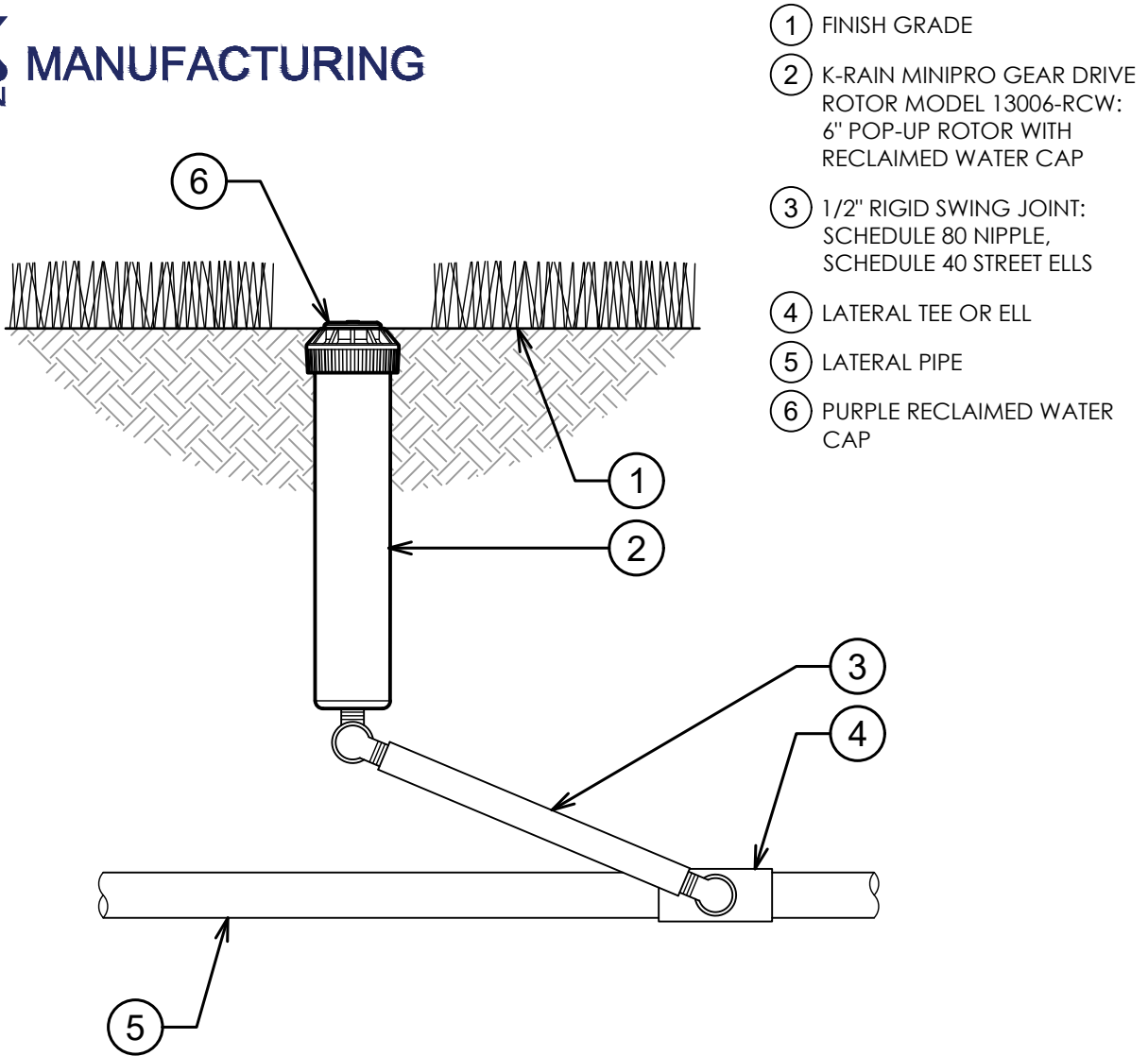
- ① FINISH GRADE
- ② K-RAIN MINIPRO GEAR DRIVE ROTOR MODEL 13006-CV:
6" POP-UP ROTOR WITH CHECK VALVE
- ③ 1/2" RIGID SWING JOINT:
SCHEDULE 80 NIPPLE,
SCHEDULE 40 STREET ELLS
- ④ LATERAL TEE OR ELL
- ⑤ LATERAL PIPE





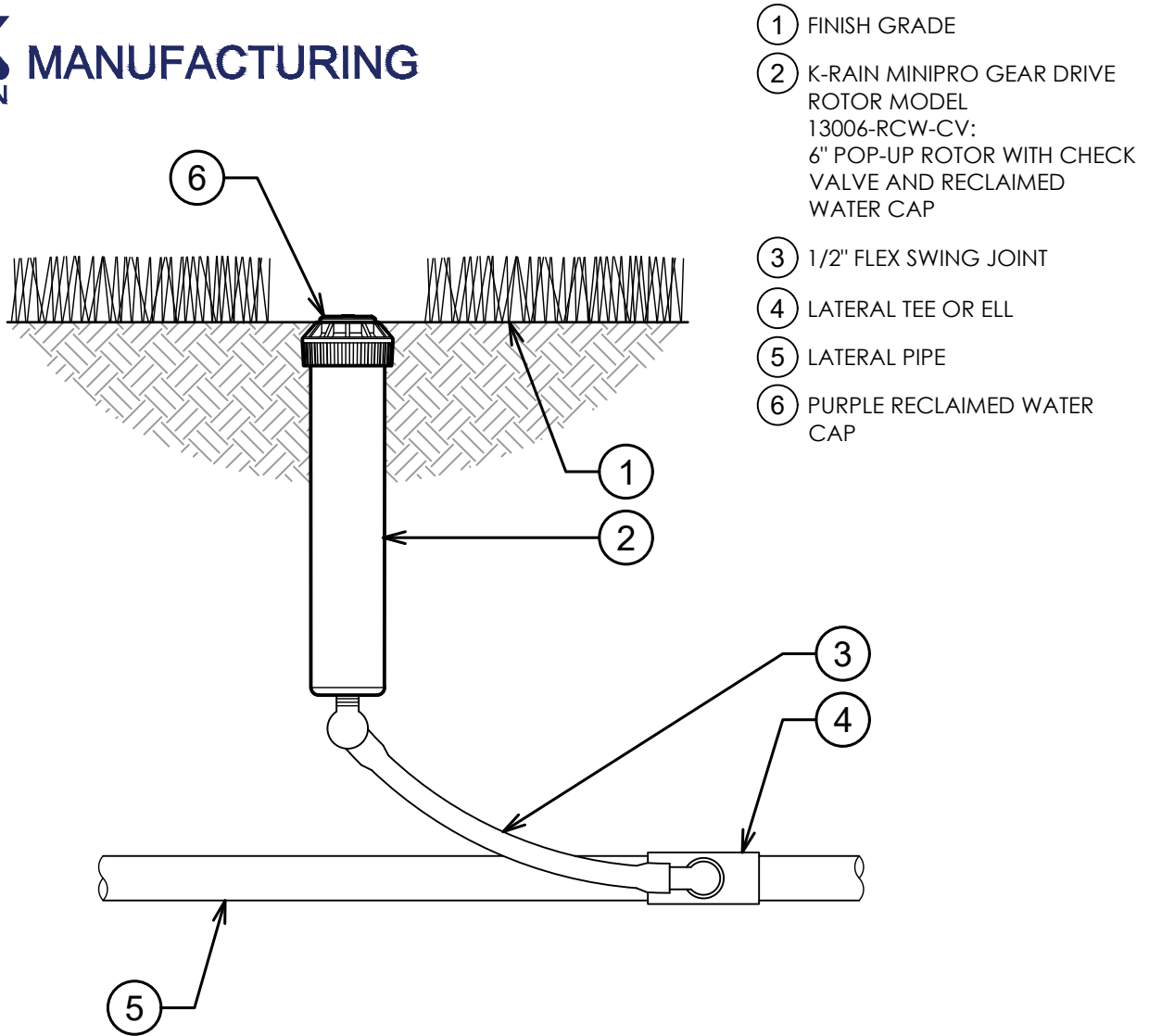
K-RAIN MINIPRO ROTOR WITH 6" POP-UP

3" = 1'-0"



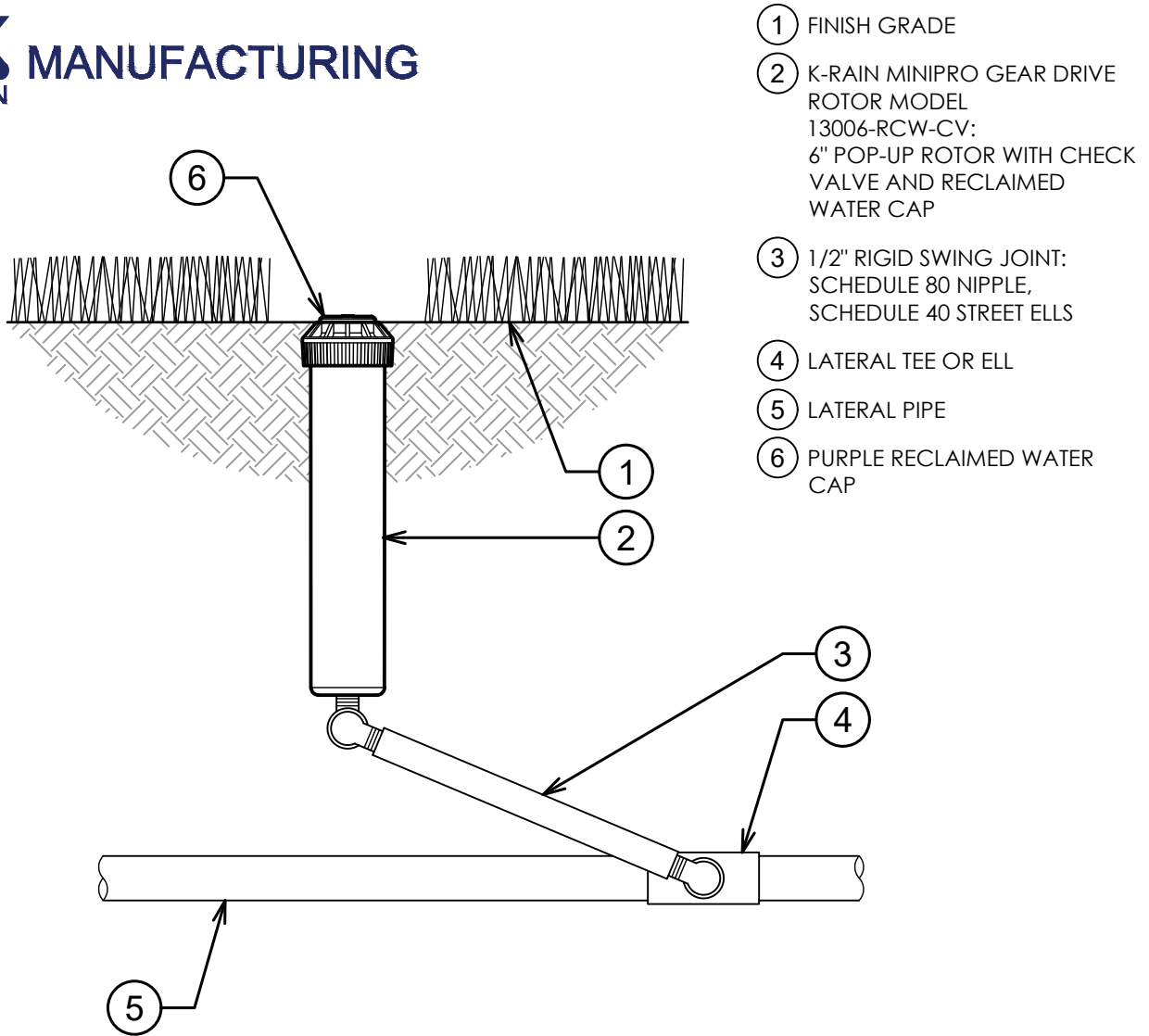
K-RAIN MINIPRO ROTOR WITH 6" POP-UP

3" = 1'-0"



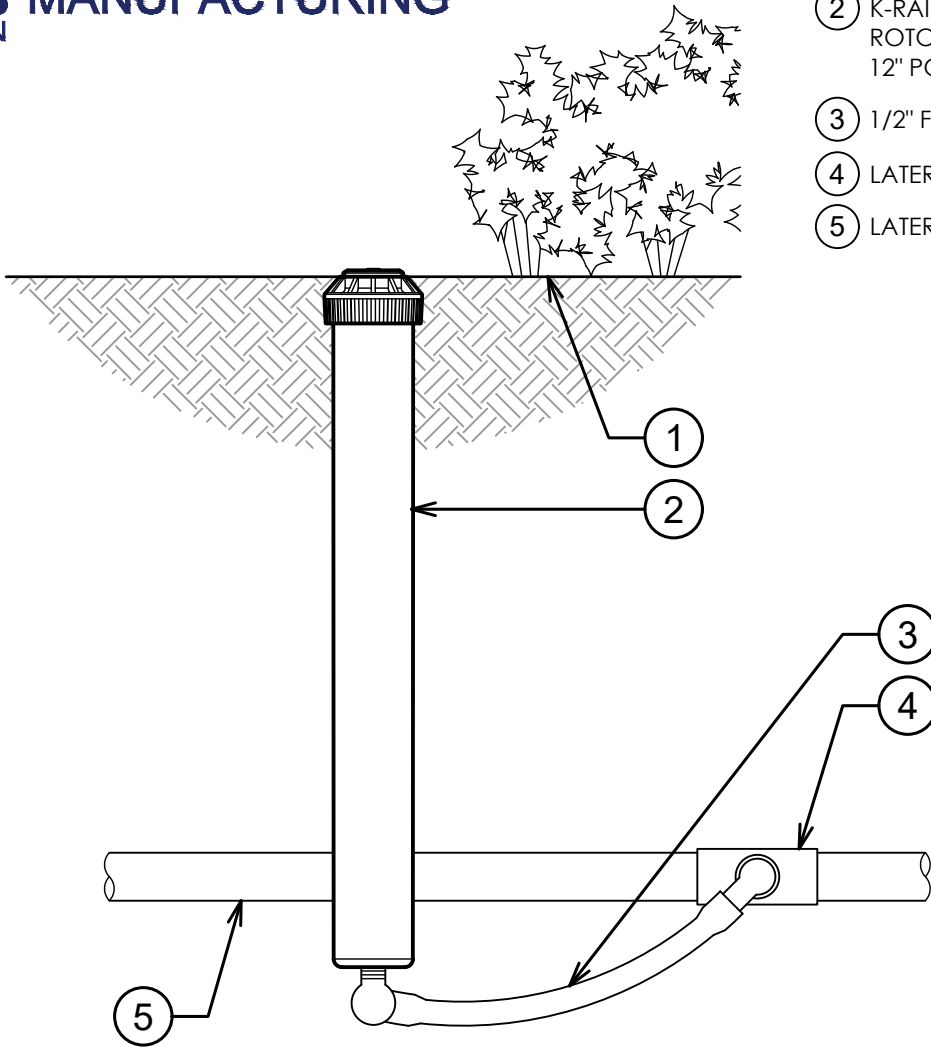
K-RAIN MINIPRO ROTOR WITH 6" POP-UP

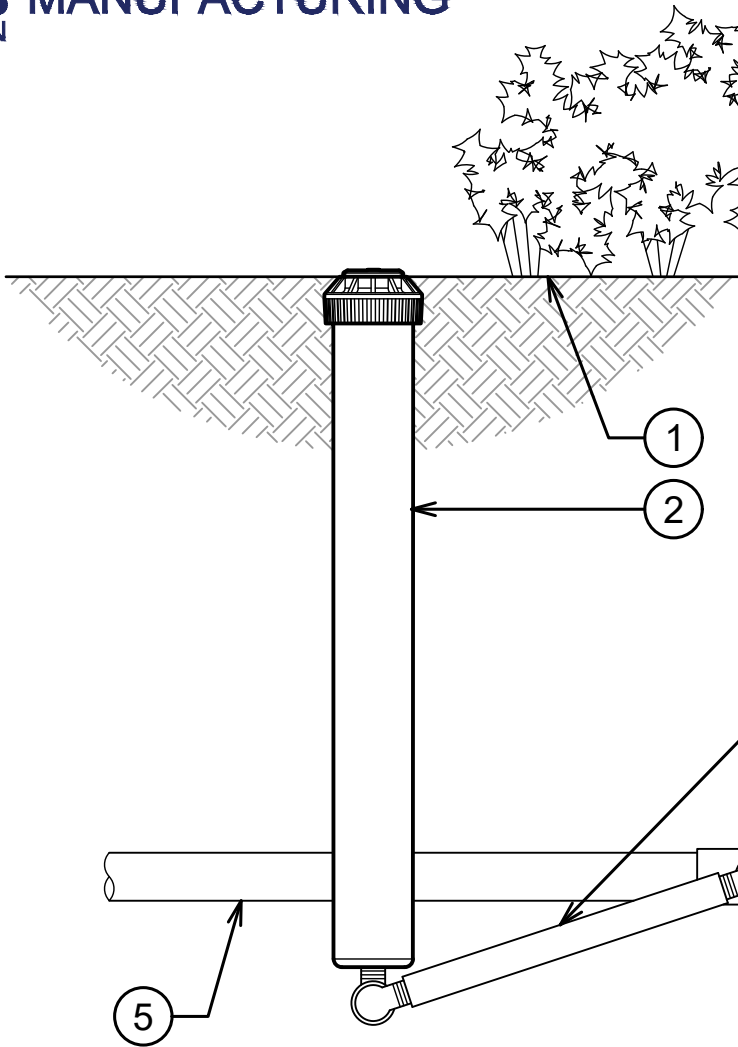
3" = 1'-0"



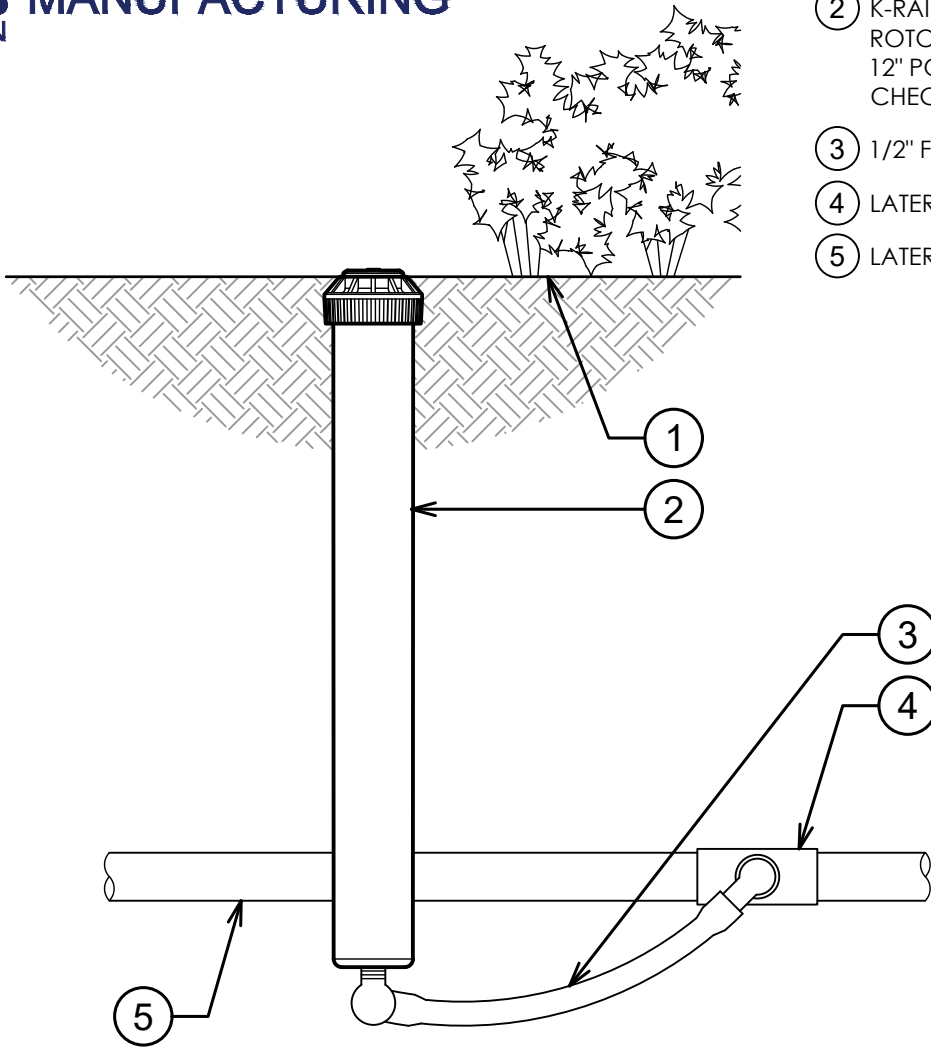
- ① FINISH GRADE
- ② K-RAIN MINIPRO GEAR DRIVE ROTOR MODEL 13006-RCW-CV: 6" POP-UP ROTOR WITH CHECK VALVE AND RECLAIMED WATER CAP
- ③ 1/2" RIGID SWING JOINT: SCHEDULE 80 NIPPLE, SCHEDULE 40 STREET ELLS
- ④ LATERAL TEE OR ELL
- ⑤ LATERAL PIPE
- ⑥ PURPLE RECLAIMED WATER CAP

- ① FINISH GRADE
- ② K-RAIN MINIPRO GEAR DRIVE ROTOR MODEL 13012: 12" POP-UP ROTOR
- ③ 1/2" FLEX SWING JOINT
- ④ LATERAL TEE OR ELL
- ⑤ LATERAL PIPE

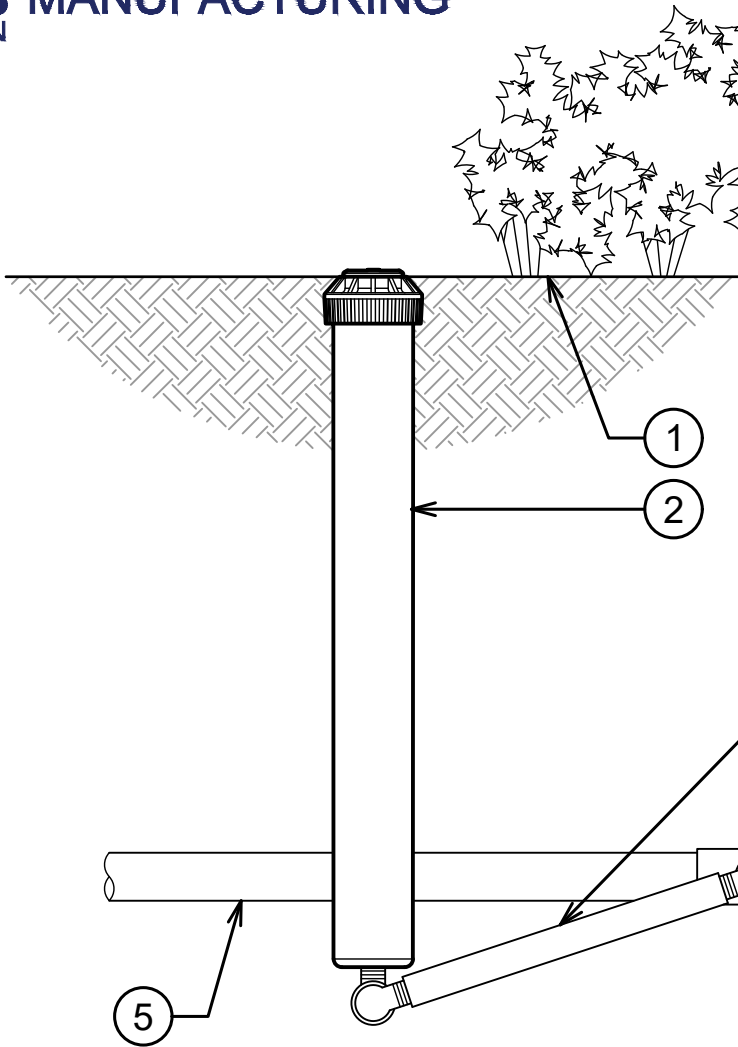




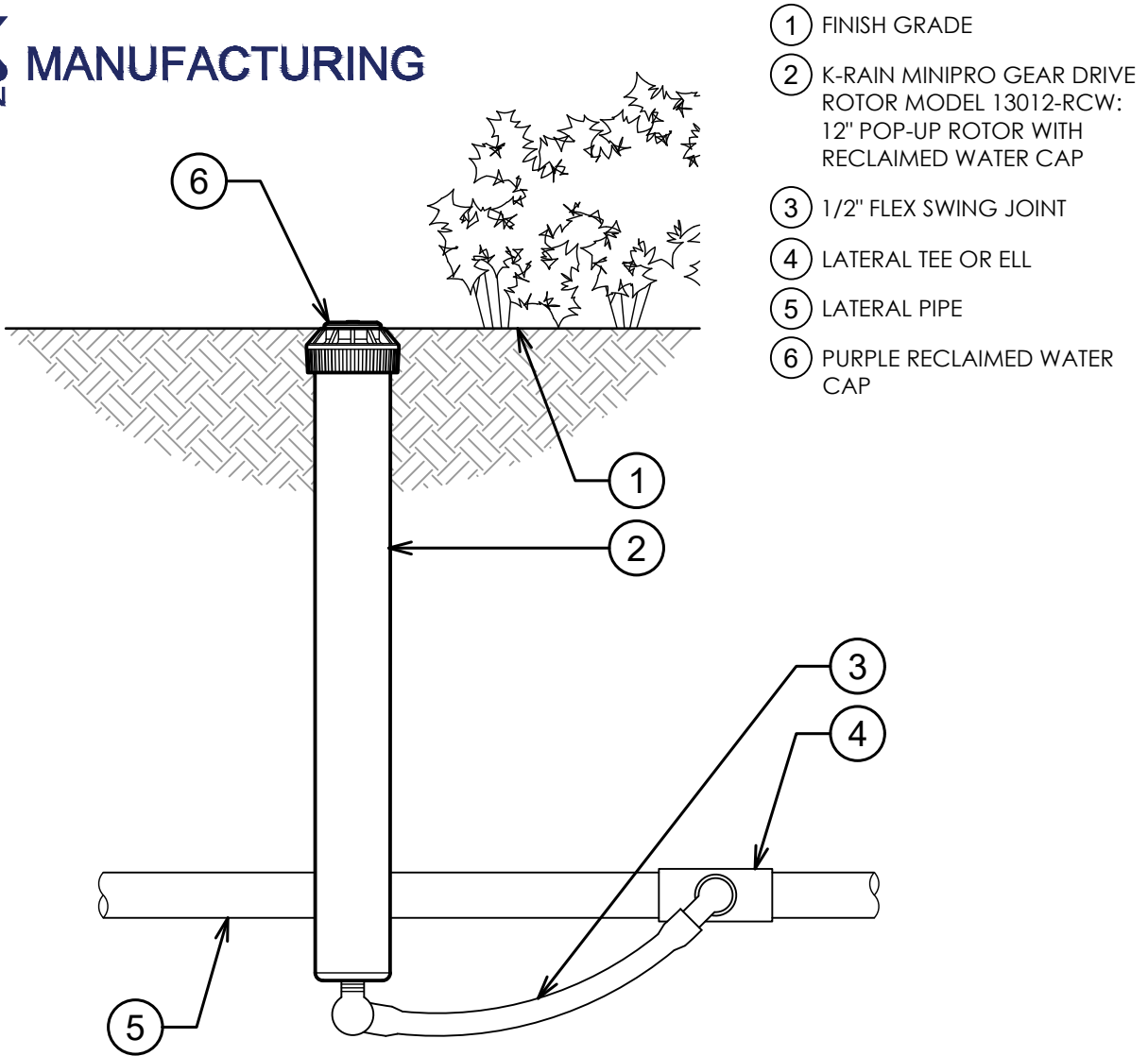
- ① FINISH GRADE
- ② K-RAIN MINIPRO GEAR DRIVE ROTOR MODEL 13012: 12" POP-UP ROTOR
- ③ 1/2" RIGID SWING JOINT: SCHEDULE 80 NIPPLE, SCHEDULE 40 STREET ELLS
- ④ LATERAL TEE OR ELL
- ⑤ LATERAL PIPE



- ① FINISH GRADE
- ② K-RAIN MINIPRO GEAR DRIVE ROTOR MODEL 13012-CV: 12" POP-UP ROTOR WITH CHECK VALVE
- ③ 1/2" FLEX SWING JOINT
- ④ LATERAL TEE OR ELL
- ⑤ LATERAL PIPE



- ① FINISH GRADE
- ② K-RAIN MINIPRO GEAR DRIVE ROTOR MODEL 13012-CV: 12" POP-UP ROTOR WITH CHECK VALVE
- ③ 1/2" RIGID SWING JOINT: SCHEDULE 80 NIPPLE, SCHEDULE 40 STREET ELLS
- ④ LATERAL TEE OR ELL
- ⑤ LATERAL PIPE

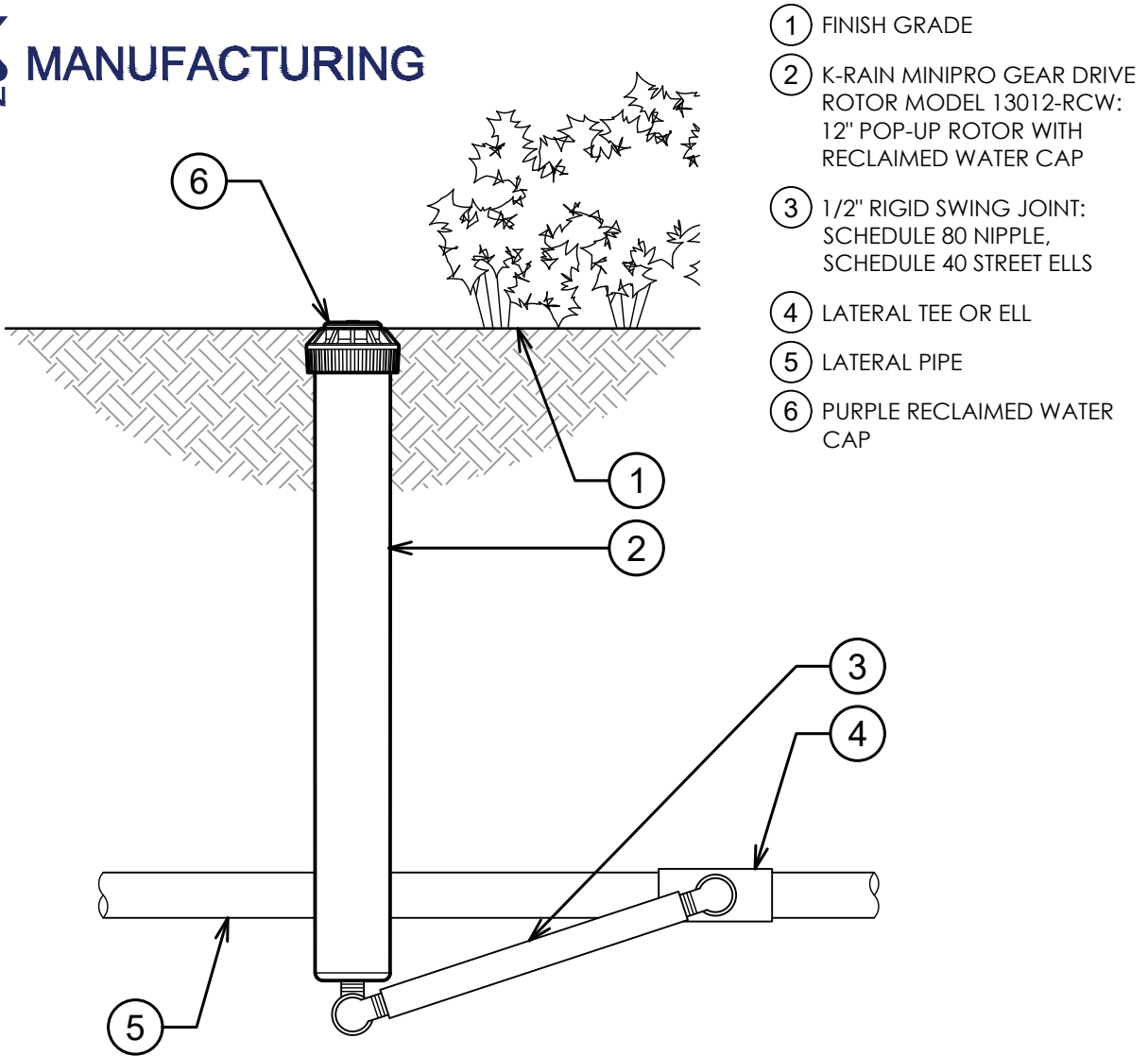


- ① FINISH GRADE
- ② K-RAIN MINIPRO GEAR DRIVE ROTOR MODEL 13012-RCW: 12" POP-UP ROTOR WITH RECLAIMED WATER CAP
- ③ 1/2" FLEX SWING JOINT
- ④ LATERAL TEE OR ELL
- ⑤ LATERAL PIPE
- ⑥ PURPLE RECLAIMED WATER CAP



K-RAIN MINIPRO ROTOR WITH 12" POP-UP

3" = 1'-0"

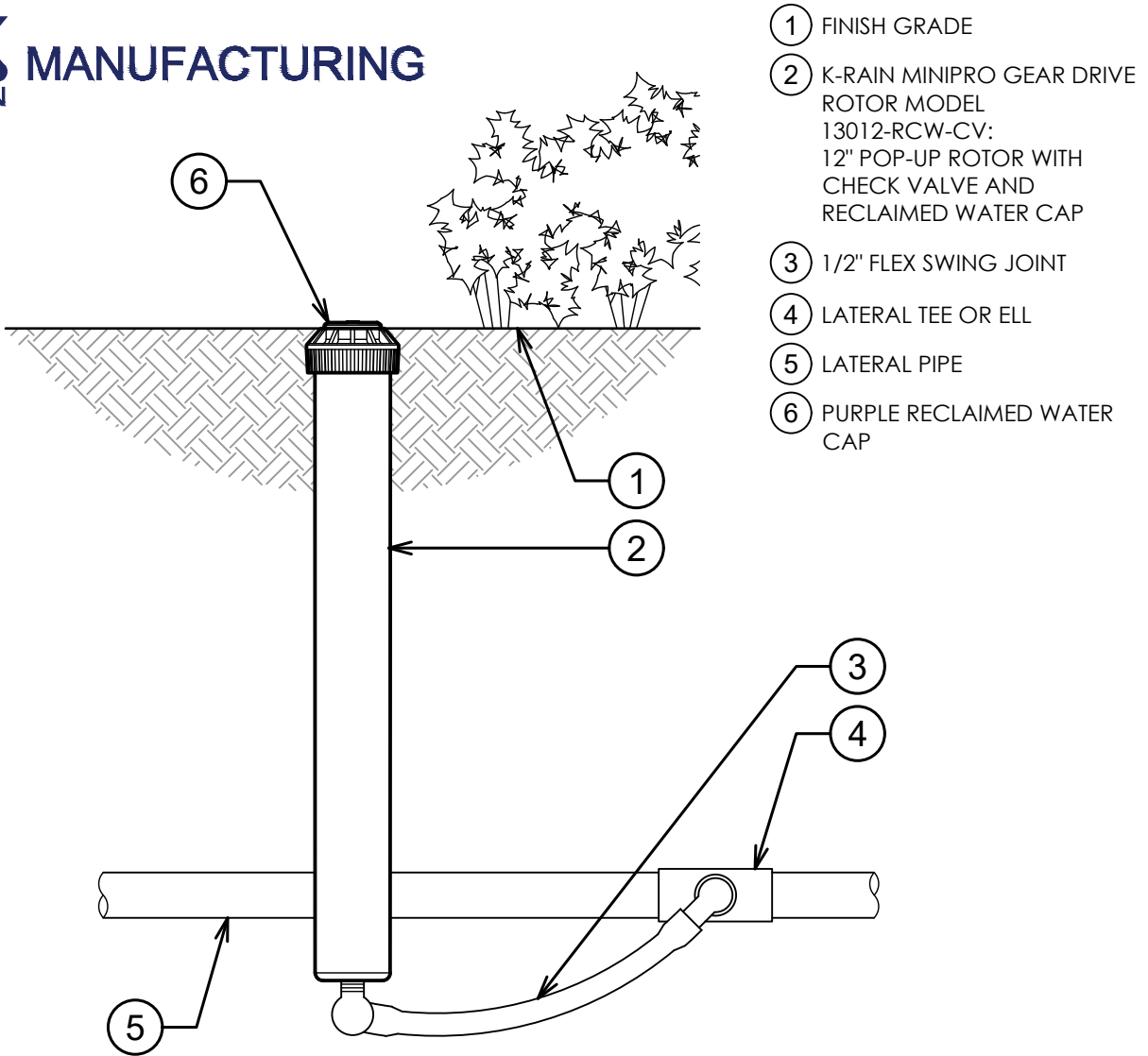


- ① FINISH GRADE
- ② K-RAIN MINIPRO GEAR DRIVE ROTOR MODEL 13012-RCW: 12" POP-UP ROTOR WITH RECLAIMED WATER CAP
- ③ 1/2" RIGID SWING JOINT: SCHEDULE 80 NIPPLE, SCHEDULE 40 STREET ELLS
- ④ LATERAL TEE OR ELL
- ⑤ LATERAL PIPE
- ⑥ PURPLE RECLAIMED WATER CAP



K-RAIN MINIPRO ROTOR WITH 12" POP-UP

3" = 1'-0"



- ① FINISH GRADE
- ② K-RAIN MINIPRO GEAR DRIVE ROTOR MODEL 13012-RCW-CV: 12" POP-UP ROTOR WITH CHECK VALVE AND RECLAIMED WATER CAP
- ③ 1/2" FLEX SWING JOINT
- ④ LATERAL TEE OR ELL
- ⑤ LATERAL PIPE
- ⑥ PURPLE RECLAIMED WATER CAP

